



# WINDOW SYSTEM

SERIES 1500 - THERMAL BREAK CASEMENT

1503 W. San Pedro St., Gilbert, Arizona 85233  
VOICE: 480-892-2600/FAX : 480-892-0951/WWW.HERITAGEWINDOWS.COM

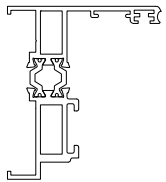
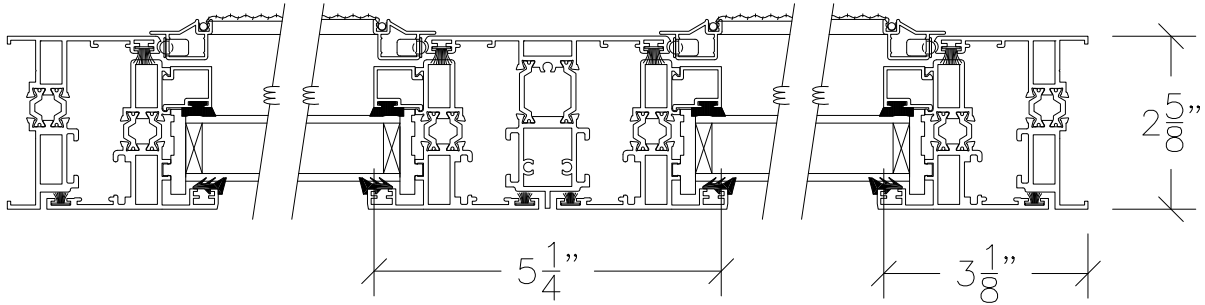
# KK6

DATE:  
5/6/11

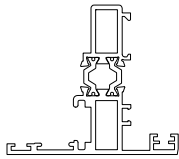
R:\DRAWINGS\BROPAGES\KK\KK6.DWG

① CASEMENT PERIMETER  
FRAME JAMB

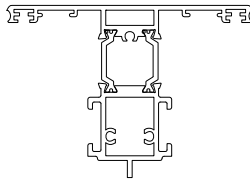
② MULLION



#1551



#1562



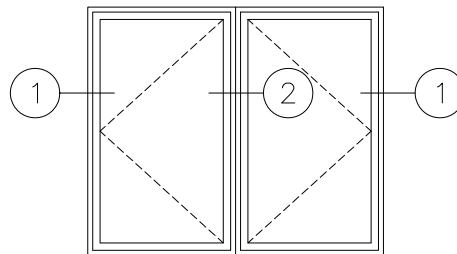
#1553



#426



#021



HORIZONTAL SECTION THROUGH CASEMENT  
WITH COMMON HEAD, SILL AND JAMBS, DOUBLE GLAZED