



WINDOW SYSTEM – RESIDENTIAL

SERIES 511 – FIXED WINDOW

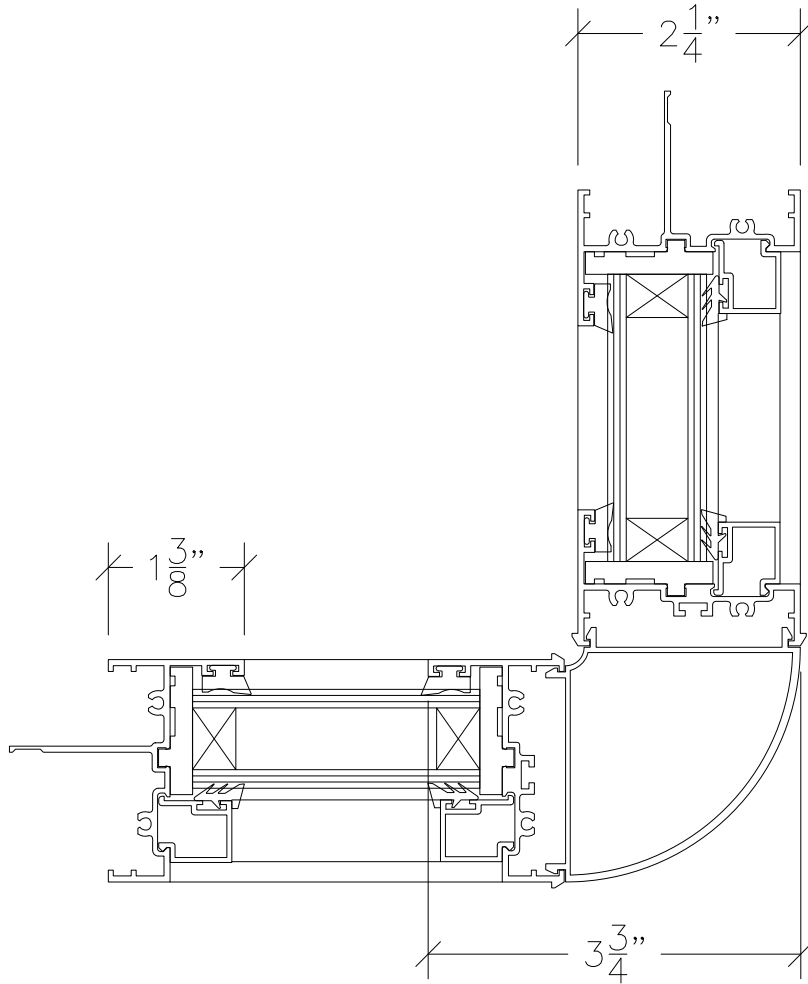
1503 W. San Pedro St., Gilbert, Arizona 85233

VOICE: 480-892-2600 / FAX : 480-892-0951

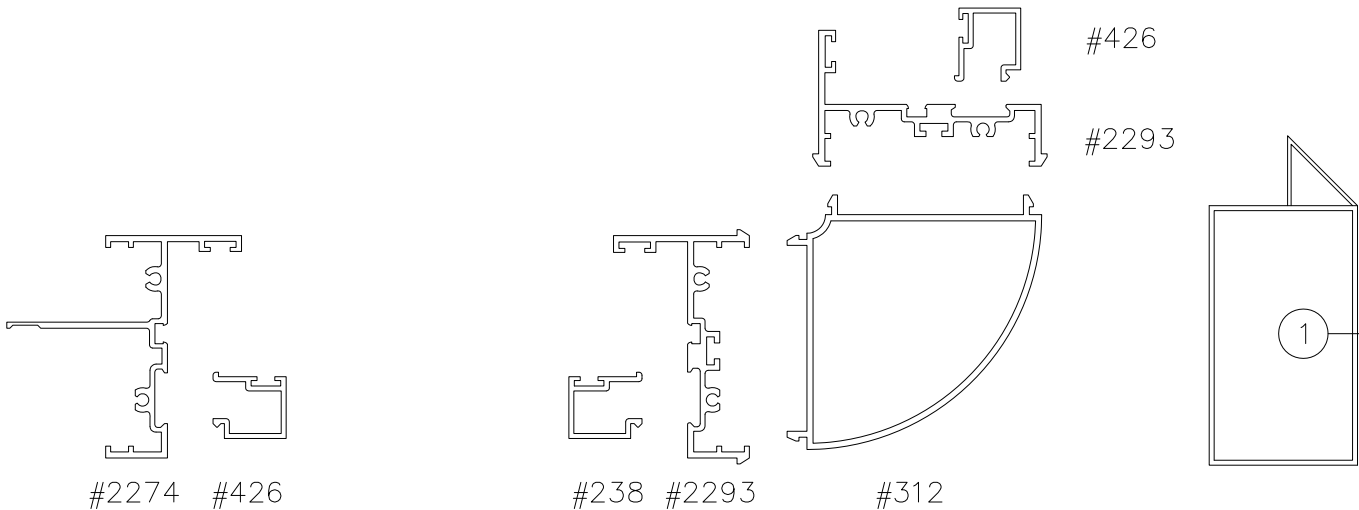
I8

DATE:
6/1/08

R:\DRAWINGS\BROGPAGES\1-1\18.DWG



① FIXED FRAME JAMBS & 90° CORNER MULL



HORIZONTAL SECTION THROUGH 90° CORNER MULL
DOUBLE GLAZED

SCALE: HALF SIZE