



# WINDOW SYSTEM

SERIES 311 & 811 - SLIDING WINDOW - C-20

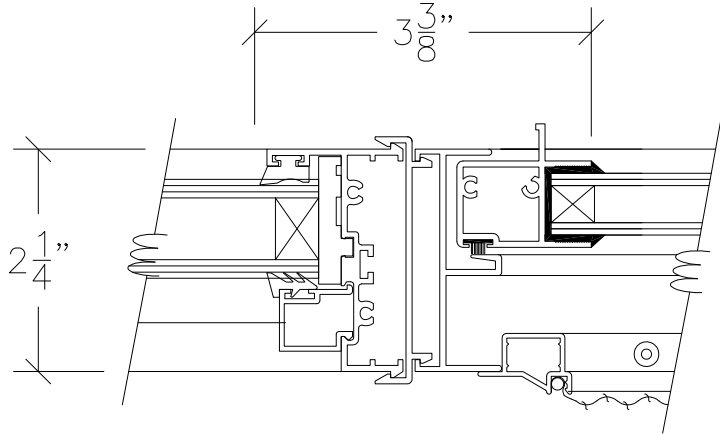
1503 W. San Pedro St., Gilbert, Arizona 85233

VOICE: 480-892-2600 / FAX : 480-892-0951

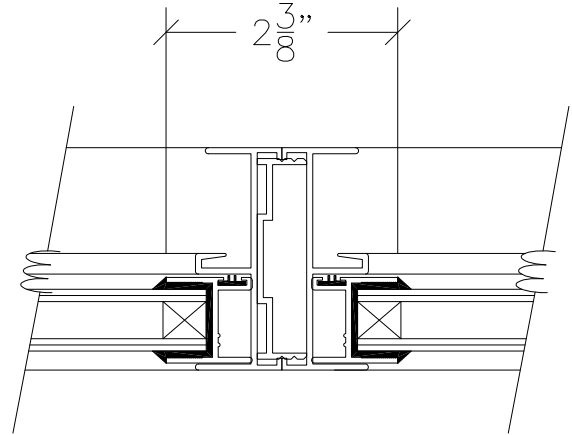
G 9

DATE:  
6/1/08

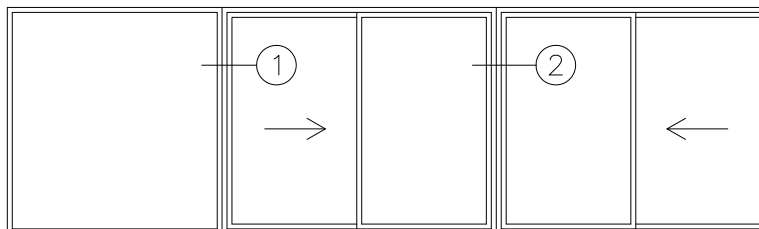
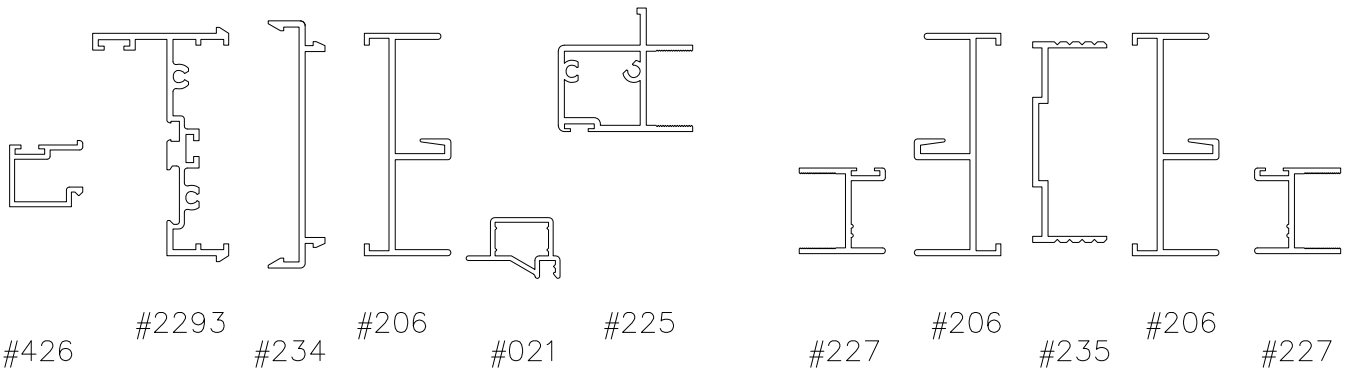
R:\DRAWINGS\BROPAGE\S-G-H\G9.DWG



① FIXED FRAME JAMB &  
HORIZONTAL SLIDER JAMB  
© SNAPPING MULL



② HORIZONTAL SLIDER JAMBS  
© INTERNAL MULL



HORIZONTAL SECTION THROUGH HORIZONTAL SLIDER  
DOUBLE GLAZED

SCALE: HALF SIZE