



SERIES 700 – FOLDING DOOR SYSTEM – FD1

1503 W San Pedro St, Gilbert, Arizona 85233 : (480) 892-2600  
E-Mail: Info@HeritageWindows.com FAX : (480) 892-0951

INSTALLATION INSTRUCTIONS

1

03/2011  
G:\MANUALS\SGD\INSTALL\FD1.DWG

HARDWARE KITS

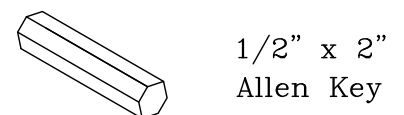
1. Tools Required: Tape measure, bubble type level, Phillips screw-driver, hand drill with 5/32" dia. by 6" long drill bit, 6" phillips bit, plumb bob, #3 allen wrench, 3/16" allen wrench, shims, sealant (acrylic seam sealer, S/M #5504, PERMATEX #3H or equal) and caulking (conforming to Federal Specification TT-S-1657).
2. Following hardware supplied with door perimeter frame assembly (anchors to mount doors into masonry openings are not provided):

Part#	Quan.		
	kit		
335	—		#6x1/2" flat head screws (for 703 installation)
339	14		#8x1" pan head screws (for frame assembly)
325	20		#10x2" flat head self-tapping screws (for installation)
343	—		#10x3" flat head screws (for head installation)

Note: In certain applications, some screws may not be required.

733	—		Strike Plate	746	—		Tandem Roller Guide
737	—		Magnet Set	747	—		Left Roller Guide
745	—		Hinge Pin	748	—		Right Roller Guide

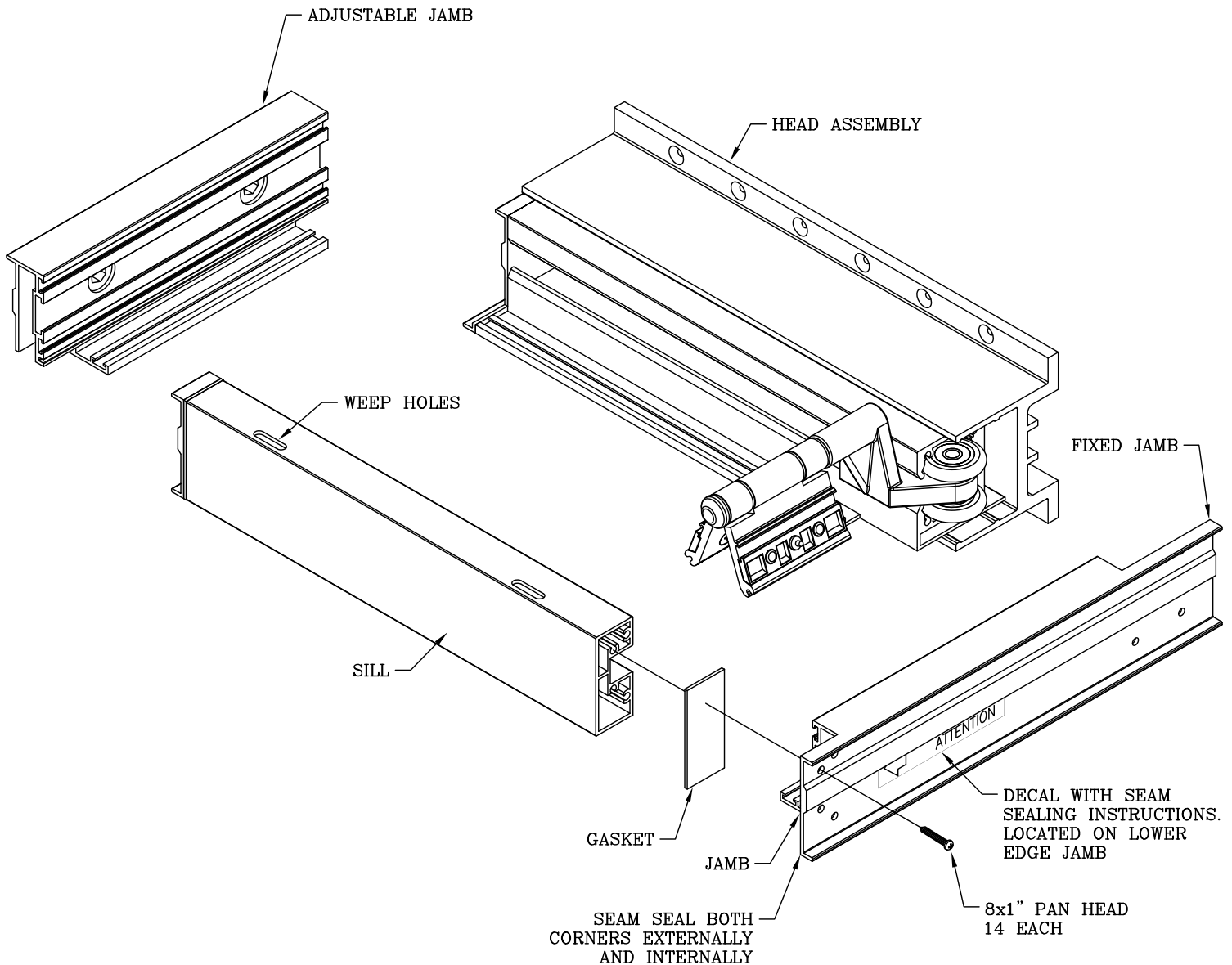
**SUGGESTED MASONRY/CONCRETE MOUNTING:**  
 You will need 12 ea Flat Head screws and they are NOT provided in the kit due to diversity of masonry openings with conventional block, foam block, concrete and others. You must obtain your own installation screws. If you want to use lead or plastic insert anchors in the block, you'll need to use different screws. In many good cases, #12X2 1/4 flat head concrete screws (TapCon or ConLok) may be used in lieu of anchors. They are optionally available from HERITAGE.  
 NOTE: All material covered is subject to change without warning.





## PERIMETER FRAME ASSEMBLY

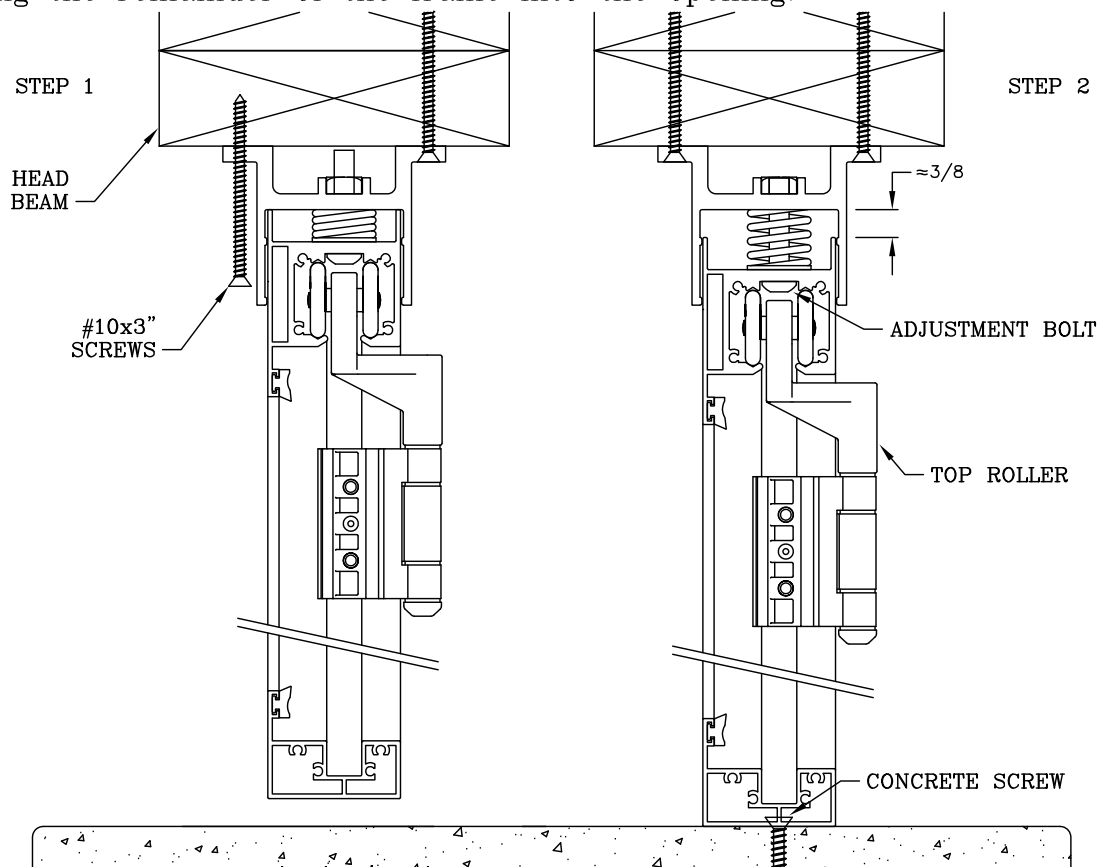
1. The head assembly will come with the top rollers pre-installed. Be sure the rollers stay in the head channel and in current order.
2. Both ends of the hollow sill are filled with silicone. Bottom ends of each jamb are gasketed. Remove the paper on the gasket before installing.
3. Assemble perimeter frame head and sill to the jamb by using 7ea. #8x1" pan head screws through pre-drilled holes in jamb. Be sure the back wall of the head and sill line up with the back wall of the fixed jamb. Do not attach the adjustable jamb at this time.





## PERIMETER FRAME INSTALLATION

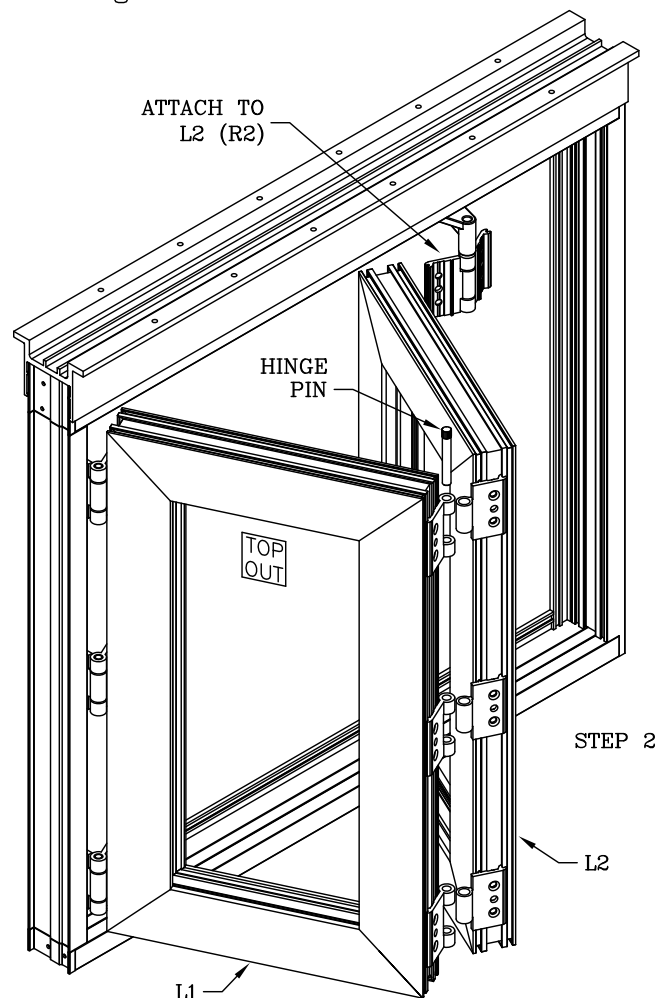
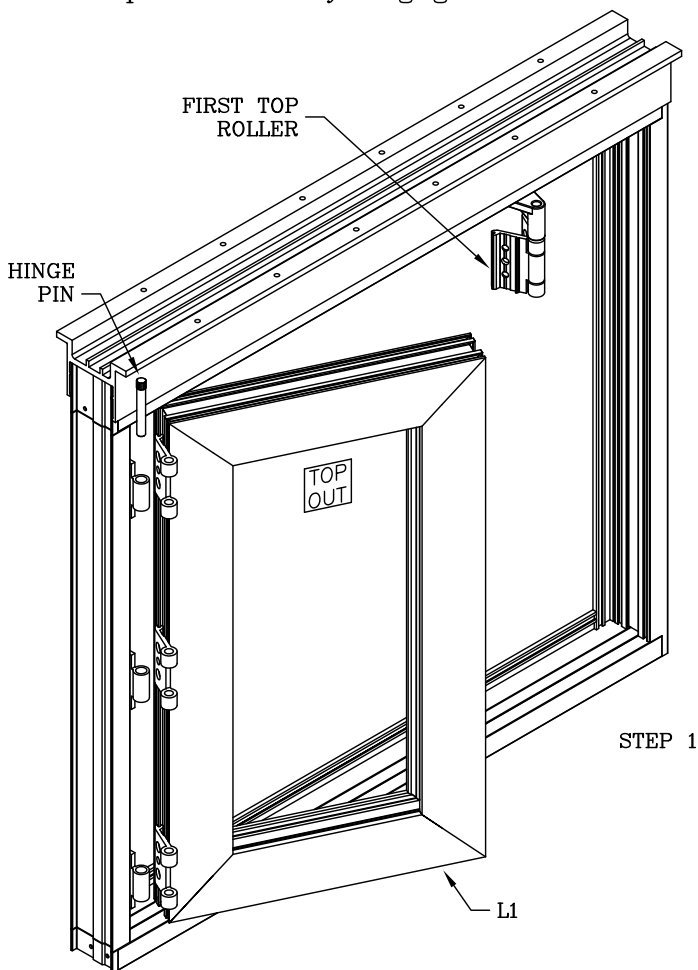
1. Measure width and height of opening at corners and center. The opening should be  $1/2$ " larger than the net width and  $1/2$ " larger than the net height of the door frame. Opening should be plumb. Head beam and floor should be smooth and level.
2. After perimeter frame is assembled, place the frame inside of the opening. The front weep holes in sill must be facing toward the outside of the building. Leave a  $1/4$ " gap between the end of the head/sill and the opening. Fasten the head to the beam by using #10x3 screws and a 6" phillips bit. If securing to steel beam, pre-drill holes into beam with a 6" drill bit using the head as a template. The head assembly has adjustment bolts in the roller channel. Loosen each bolt
3. equally (approximately 6 full counterclockwise turns ea.) with an 3/16 allen wrench until the sill touches the floor. These adjustment bolts can be used to fine tune the leveling of the head, and to compensate for any unevenness of the opening. Also, if there is any sagging of the head beam in the future, these bolts can be used to re-level the head (center only) by tightening as necessary.
4. Install the adjustable jamb into the opening. Make sure it lines up with the head and sill and fasten it by running 1 screw through each black adjustment bolt. Do not apply any shims yet unless there will be excessive weight on the jamb.
5. Make sure that the head and sill are level and are plumb with each other. Secure the sill to the floor through the pre-drilled slots in the top weep channel with concrete screws. Be sure to thoroughly seal around these screws so water will not leak through. You may have to shim the sill if there are any high/low spots in the opening.
6. Use shims to close the gap between the fixed jamb and the post making sure it is jamb are plumb and level, drill holes and drive screws through the jamb securing the remainder of the frame into the opening.





## PANEL INSTALLATION

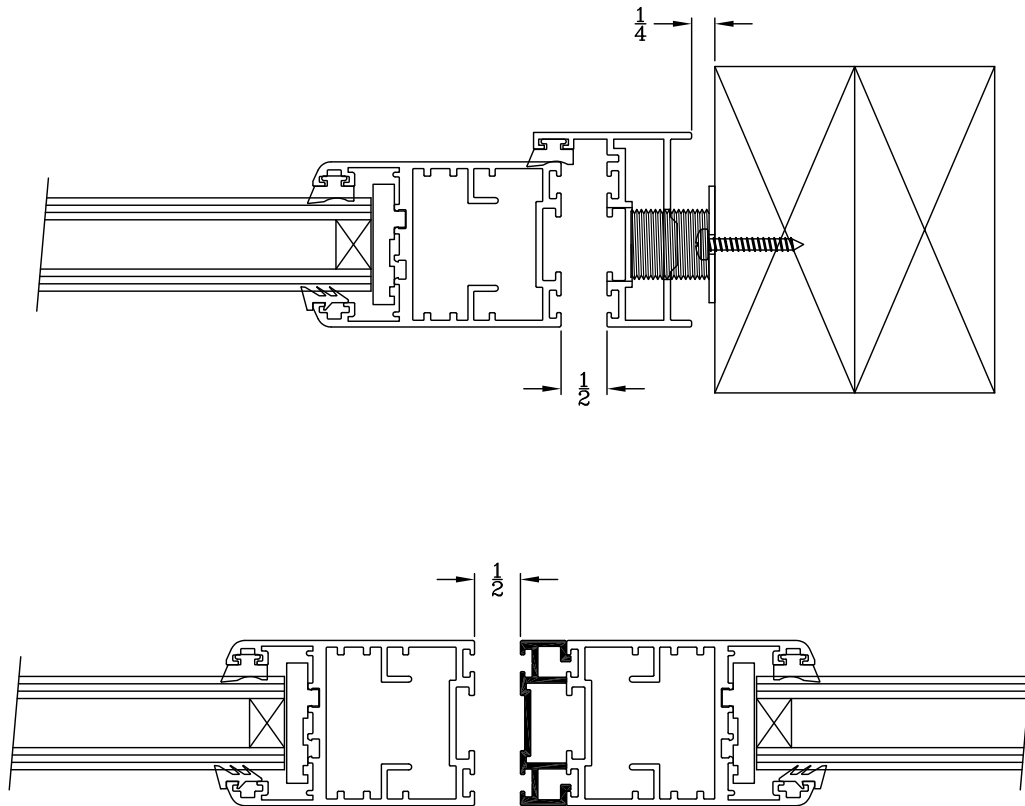
1. All panels are labeled 'Top Outside' and also have their numerical order and side called out. The first panel will either be named L1 (referring to the 1st panel on the left) or R1 (referring to the 1st panel on the right). If your door is bi-parting, you will have L1 AND R1. All instances will be looking from the outside toward the inside of the house. Locate the first panel to the jamb by lining up and engaging the hinges, then slide in each hinge pin from the hardware kit.
2. Install panel labeled 2 onto panel 1 and slide in each pin. On the opposite side of this panel, it will now receive a roller that has been factory installed into the head. Take the roller and attach where the seal was removed at the top of the panel. The hinges and rollers are attached to the panel with a back plate, 2 ea. screws, and a set screw in the center. This second panel has a small hole punched where the set screw engages. Use this hole as a guide by lining it up with the center hole of the roller hinge. Lightly tighten both screws in place, then fully tighten set screw into previously drilled hole with a #3 allen wrench. Tighten both screws. NOTE: Be sure to install the silver back plate in the correct orientation. Refer to a pre-installed hinge for correct installation.
3. Install the bottom guide hinge that corresponds to the top roller. Attach this guide to the panel in the same fashion as above. Make sure the panel slides freely. If it drags you may have to readjust the bottom guide, or raise the panel.
4. Repeat steps 2 and 3 with the panel numbers continuing in ascending order until all panels are installed. Once all panels have been installed make sure all the pins are fully engaged into the hinges by driving them in with a hammer.





## ADJUSTABLE JAMB

1. At this point the panels should all be installed and the adjustable jamb should be held up by only 2 screws going through the adjustment bolts. Using a half inch allen key and a half inch socket wrench, adjust the adjustable jamb to the desired location. This adjustment should allow you to tighten or widen the parting gap of the panels. This gap should be about half of an inch. Adjust this gap until product operates properly.





## ACCESSORY INSTALLATION

1. Lead Stile Cap (706): If your product came with a lead stile cap, it needs to be installed after all the panels are in place. Locate it on the end of the last panel. If your product is bi-parting, place the Lead Stile Cap(s) on the inactive or rolling\* panel(s). To install: Take the cap and place it in the grooves of the lead stile. Make sure top and bottom of cap are flush with top and bottom of panel. Run screws through pre-drilled holes to secure cap. EPDM seal may need to be installed into cap after installation. Slide seal in one end then stake the gland so it wont move.
2. FD1 Adapter (703): FD1 Adapter is used to close the gap between the top of the panels and the head assembly. They will need to be cut to length, drilled, counter sunk, placed on the top of the panels and screwed into place with #6x1/2" screws. You may want to cut them longer than the panels' width so there is no gap between each 703. If long FD1 Adapter(s) are included with your product, secure them on the end of your active/inactive\* panel(s). If a 703 is attached to an inactive panel, it may need to be cut short to clear the back wall of the head and sill.

\*Active panel will have Int/Ext handles with a key lock.

\*Inactive panels will have a strike plate and interior handle only.

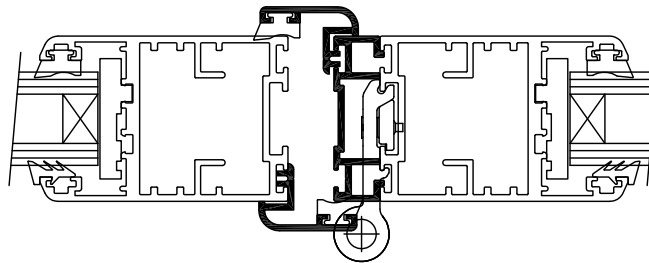
\*Rolling panel will be secured to a roller and have no handles.



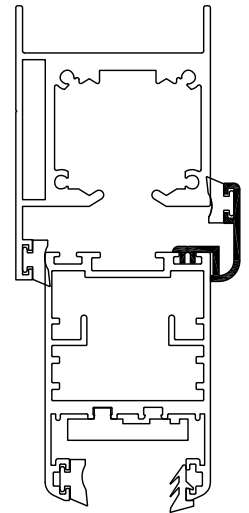
706  
LEAD STILE CAP



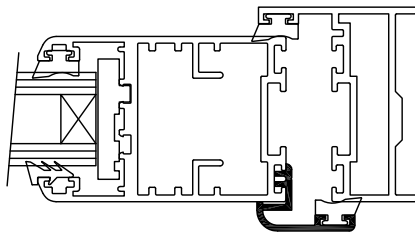
703  
FD1 ADAPTOR



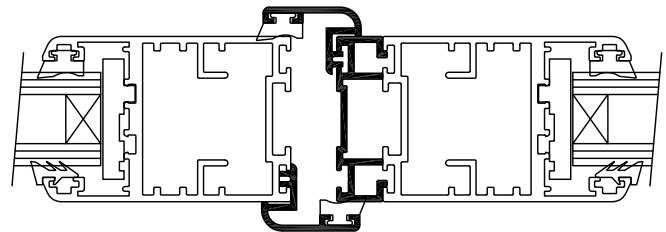
ACTIVE SWINGING PANEL TO A ROLLING PANEL



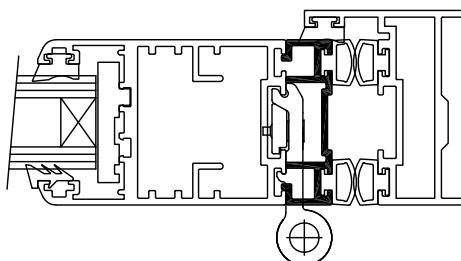
703 TO TOP OF PANEL



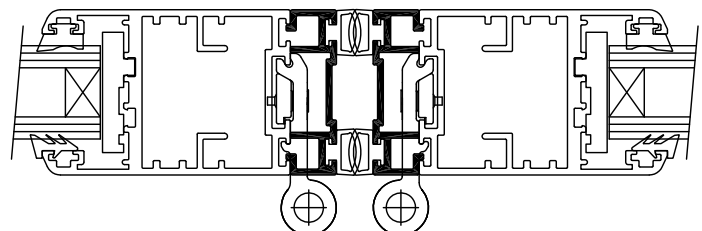
ACTIVE SWINGING PANEL TO A JAMB



ACTIVE SWINGING PANEL TO AN INACTIVE SWINGING PANEL



ROLLING PANEL TO A JAMB



ROLLING PANEL TO A ROLLING PANEL



SERIES 700 – FOLDING DOOR SYSTEM – FD1

1503 W San Pedro St, Gilbert, Arizona 85233 : (480) 892-2600

E-Mail: Info@HeritageWindows.com

FAX : (480) 892-0951

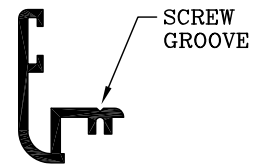
INSTALLATION INSTRUCTIONS



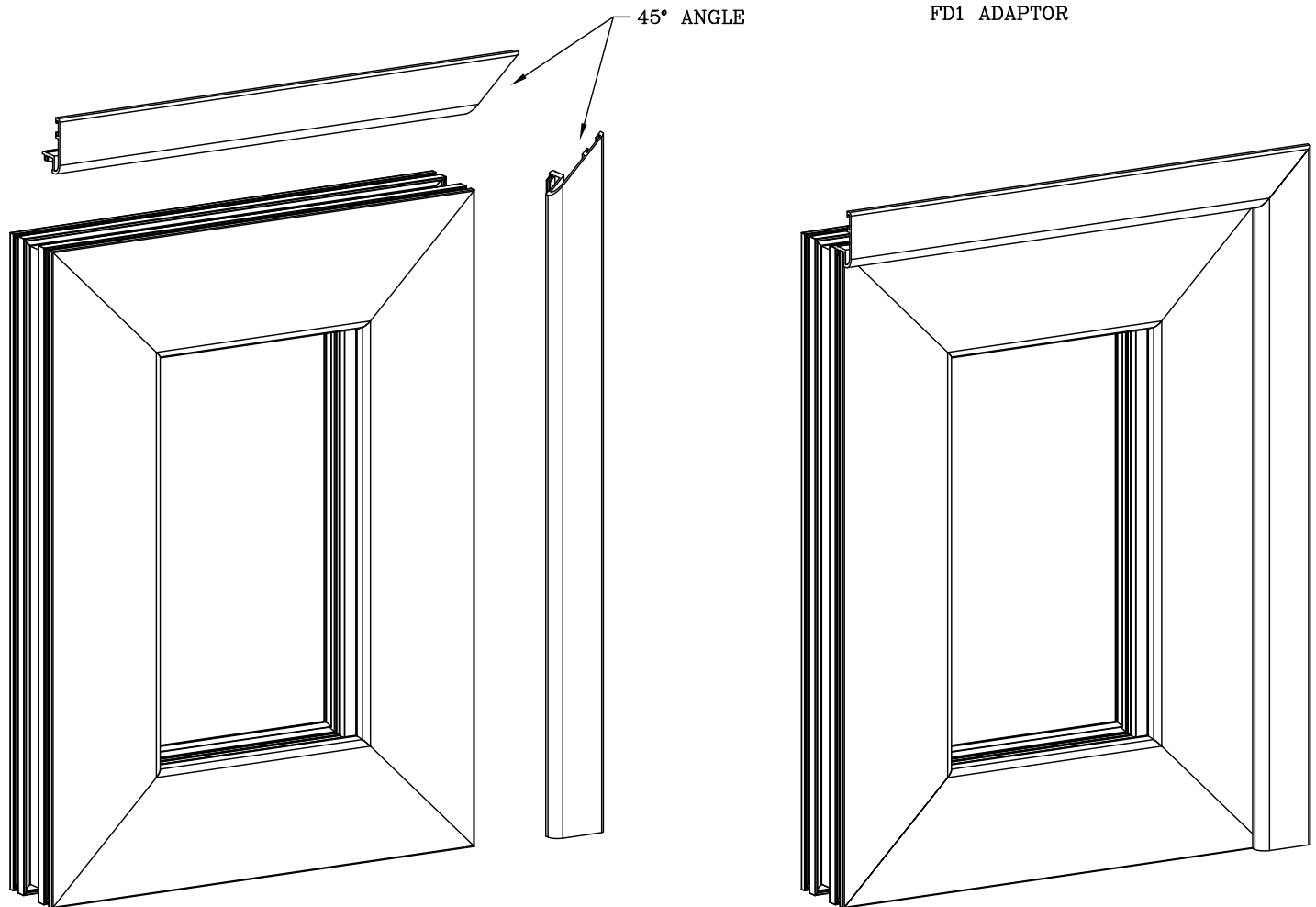
03/2011  
G:\MANUALS\SGD\INSTALL\FD1.DWG

## ACCESSORY INSTALLATION CONT.

2a. 703 Continued: If a vertical 703 meets a horizontal 703, cut both of these pieces at a 45° angle so they meet together at 90°. This step will enhance the looks and the sealing capabilities of the product. EPDM seal may need to be installed into 703s after installation. Slide seal in one end then stake the gland so it won't move.



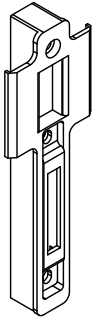
703  
FD1 ADAPTOR



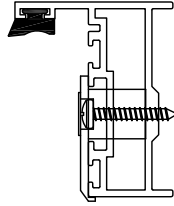


## ACCESSORY INSTALLATION CONT.

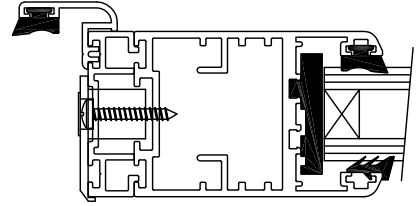
3. Strike Plate: If a strike plate was included in the hardware kit, install it into the strike plate slot on your jamb or inactive panel.



STRIKE PLATE



STRIKE PLATE  
(INSTALLED)



STRIKE PLATE  
(INSTALLED)

4. Magnets: Magnets must be installed at the top and bottom of certain panels. On each 'bi-fold' install 2 sets of magnets on each side. If there is a swinging door, install a magnet on that as well. These magnets will function to: Absorb shock, evenly space panels, and to hold the door in the open position. They are necessary for a smooth functioning product.

