



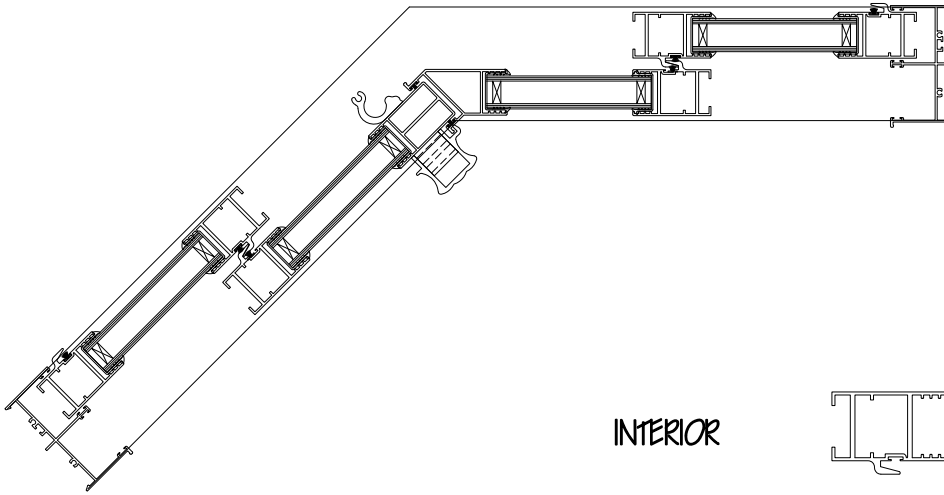
DOOR SYSTEM – RESIDENTIAL
SERIES 151 – MULTI-SLIDING GLASS DOOR (MSD & MSD4)

1503 W. San Pedro St., Gilbert, Arizona 85233
VOICE: 480-892-2600 / FAX : 480-892-0951

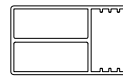
F23

DATE:
2/5/10

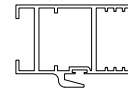
DRAWINGS\BROPAGES\B-F\F23.DWG



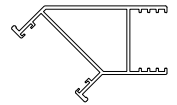
INTERIOR



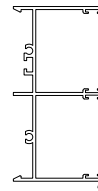
#157



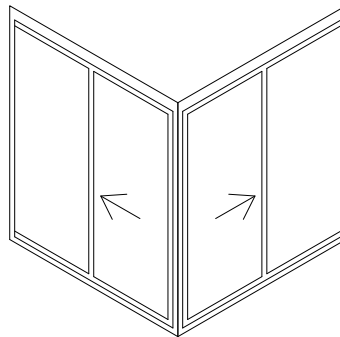
#153



#174



#159 JAMB



225° MULTI-SLIDING GLASS DOOR EXTRUSIONS
DOUBLE GLAZED
SCALE: 1:6