



DOOR SYSTEM – RESIDENTIAL  
SERIES 151 – MULTI-SLIDING GLASS DOOR (MSD & MSD4)

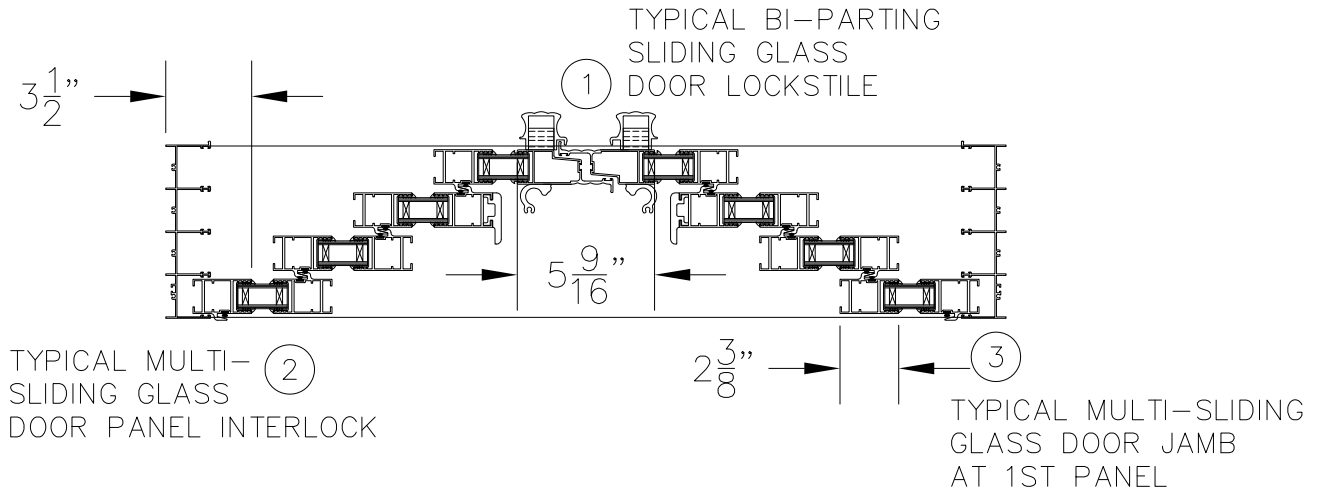
1503 W. San Pedro St., Gilbert, Arizona 85233  
VOICE: 480-892-2600 / FAX : 480-892-0951

F21

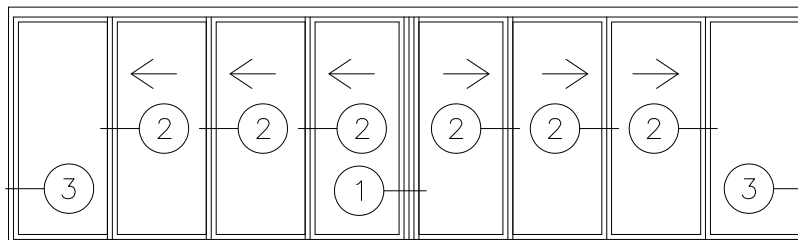
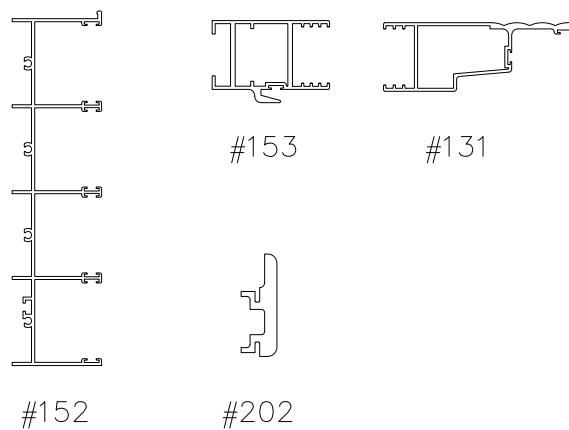
DATE:  
6/1/08

DRAWINGS\BROPAGES\E-F\F21.DWG

INTERIOR



EXTERIOR



06X0 MULTI-SLIDING GLASS DOOR EXTRUSIONS – NO POCKET  
DOUBLE GLAZED  
SCALE: 1:8