



DOOR SYSTEM – RESIDENTIAL  
 SERIES 151 – MULTI-SLIDING GLASS DOOR (MSD & MSD4)

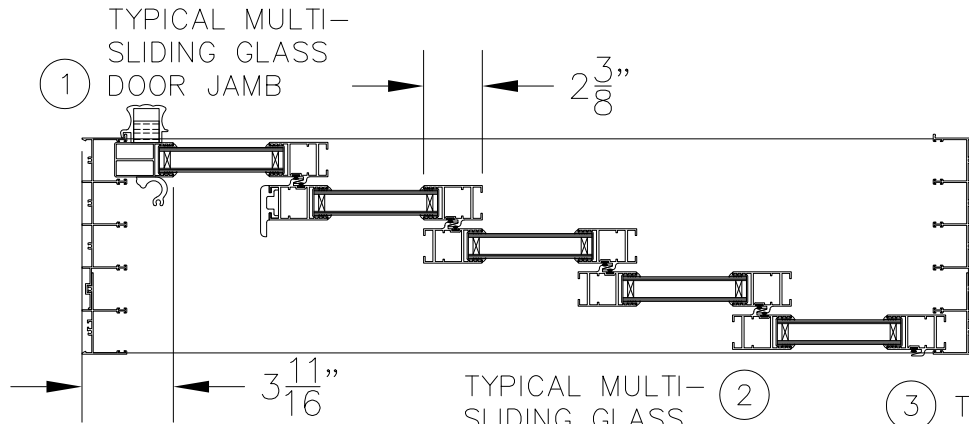
1503 W. San Pedro St., Gilbert, Arizona 85233  
 VOICE: 480-892-2600 / FAX : 480-892-0951

F18A

DATE:  
 5/6/11

DRAWINGS\BROGPAGES\B-P\F18A.DWG

INTERIOR



①

TYPICAL MULTI-SLIDING GLASS DOOR JAMB

2 3/8"

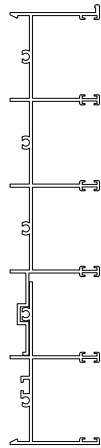
3 11/16"

TYPICAL MULTI-SLIDING GLASS DOOR PANEL INTERLOCK ②

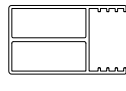
③

TYPICAL MULTI-SLIDING GLASS DOOR JAMB AT 1ST PANEL

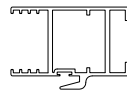
EXTERIOR  
 XXXXO SHOWN



#159 + #175



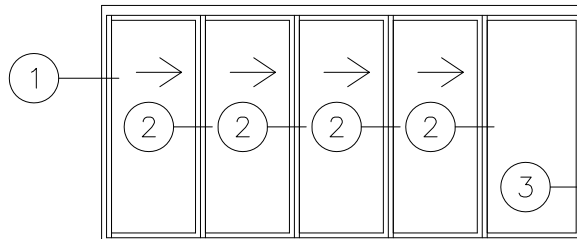
#157



#153



#202



XXXXO SHOWN

OXXXX OR XXXXO MULTI-SLIDING GLASS DOOR EXTRUSIONS – NO POCKET  
 DOUBLE GLAZED  
 SCALE: 1:8