



DOOR SYSTEM – RESIDENTIAL
 SERIES 151 – MULTI-SLIDING GLASS DOOR (MSD & MSD4 SC)

F17A

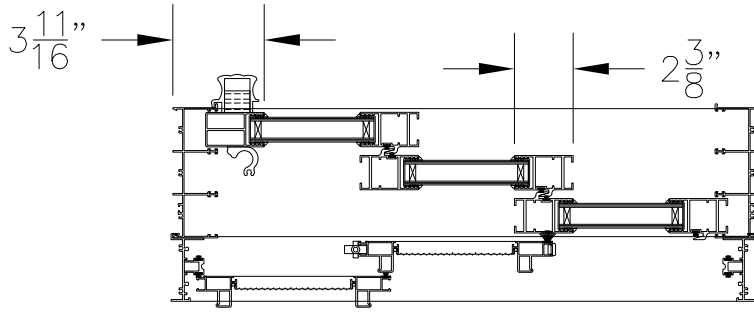
1503 W. San Pedro St., Gilbert, Arizona 85233
 VOICE: 480-892-2600 / FAX : 480-892-0951

DATE:
 6/1/08

DRAWINGS\BROGPAGES\B-F\17A.DWG

INTERIOR

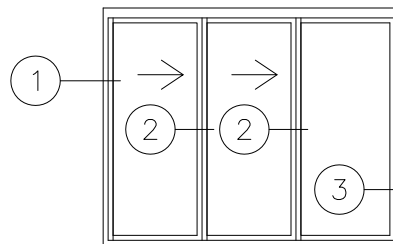
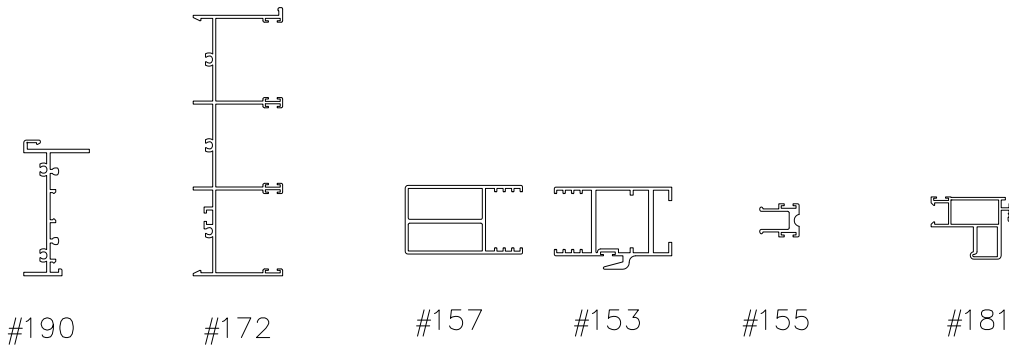
① TYPICAL MULTI-SLIDING GLASS
 DOOR JAMB + 190 SCREEN TRACK



TYPICAL MULTI-SLIDING GLASS
 DOOR PANEL INTERLOCK ②

③ TYPICAL MULTI-SLIDING
 GLASS DOOR INTERLOCK
 AT 1ST PANEL

EXTERIOR
 XXO SHOWN



XXO SHOWN

OXX OR XXO MULTI-SLIDING GLASS DOOR WITH SCREENS – NO POCKET
 DOUBLE GLAZED
 SCALE: 1:8