



DOOR SYSTEM - RESIDENTIAL

SERIES 151 - MULTI-SLIDING GLASS DOOR (MSD & MSD4)

1503 W. San Pedro St., Gilbert, Arizona 85233

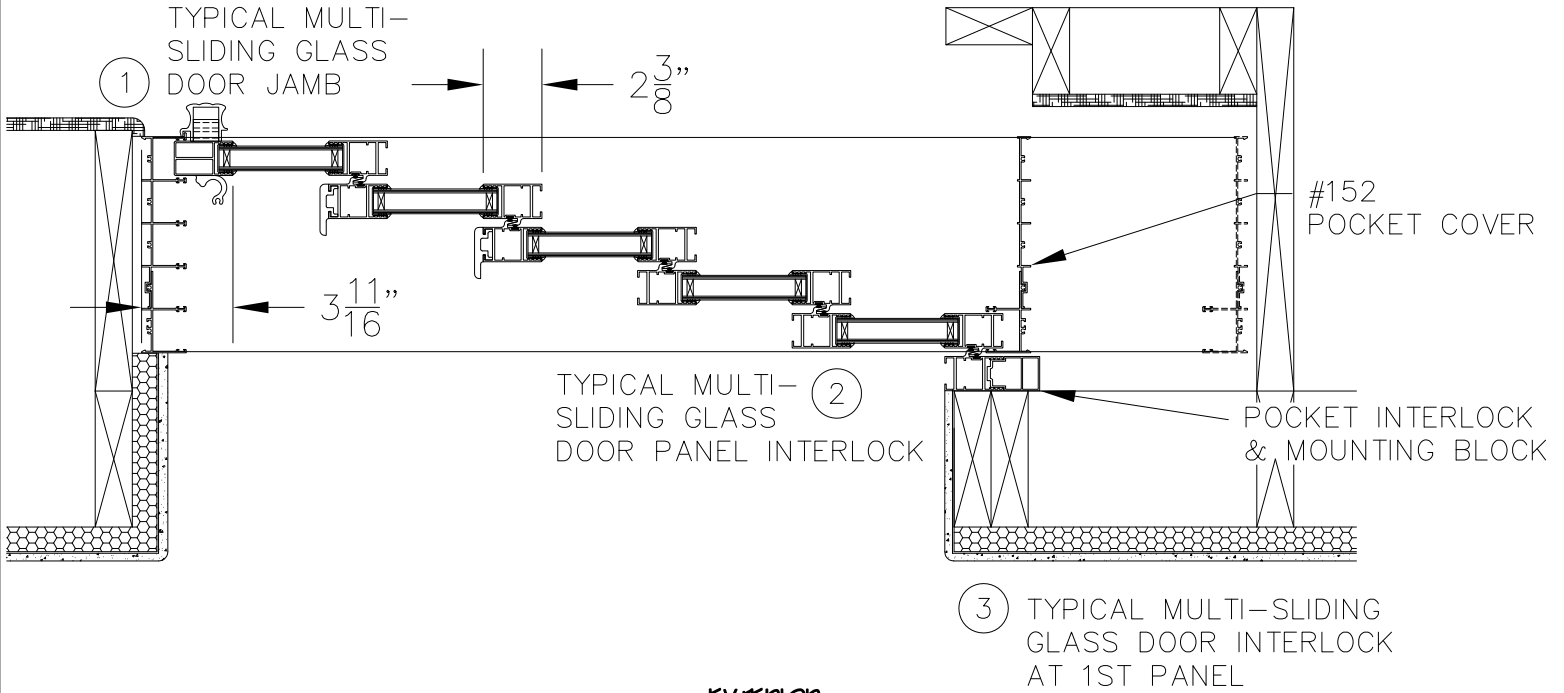
VOICE: 480-892-2600 / FAX : 480-892-0951

F12A

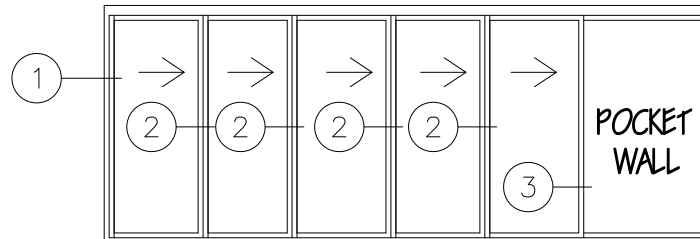
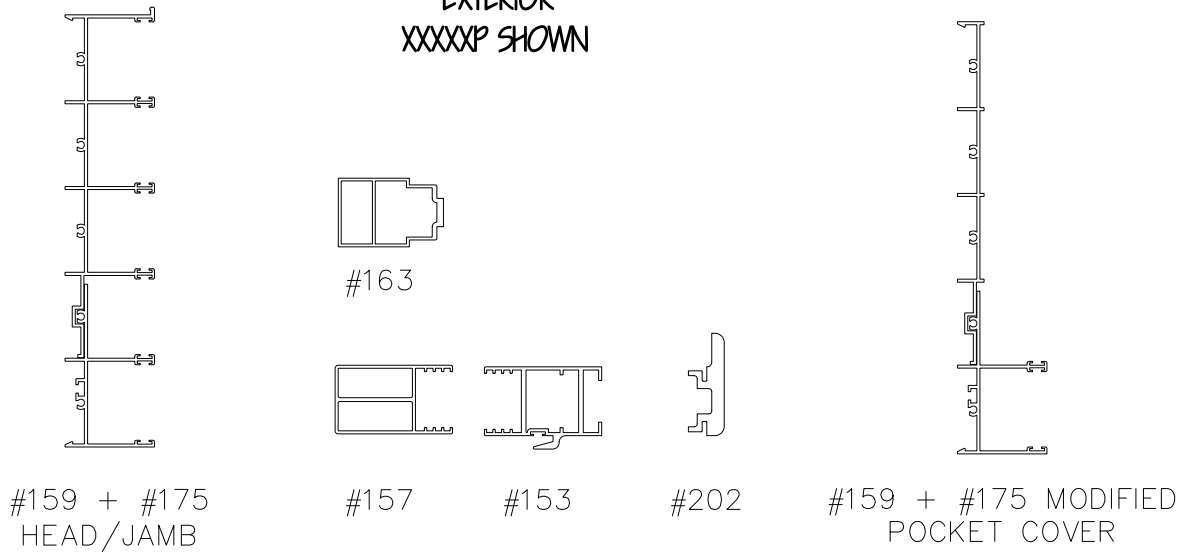
DATE:
5/6/11

DRAWINGS\BROGPAGES\B-P\F12a.DWG

INTERIOR



EXTERIOR XXXXXP SHOWN



XXXXXP SHOWN

PXXXXX OR XXXXXP MULTI-SLIDING GLASS DOOR EXTRUSIONS - POCKET DOUBLE GLAZED

SCALE: 1:8