



# DOOR SYSTEM - RESIDENTIAL

SERIES 151 - MULTI-SLIDING GLASS DOOR (MSD & MSD4)

1503 W. San Pedro St., Gilbert, Arizona 85233

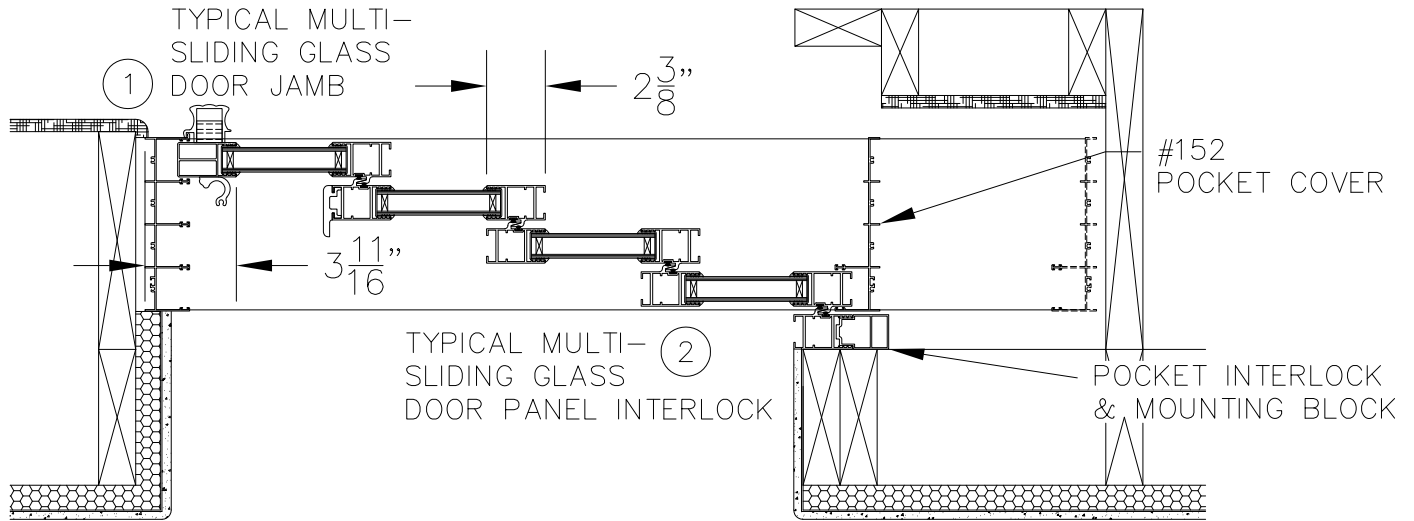
VOICE: 480-892-2600 / FAX : 480-892-0951

# F12

DATE:  
6/1/08

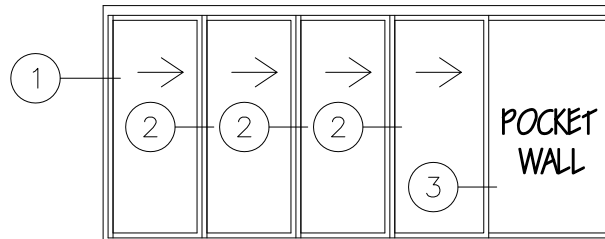
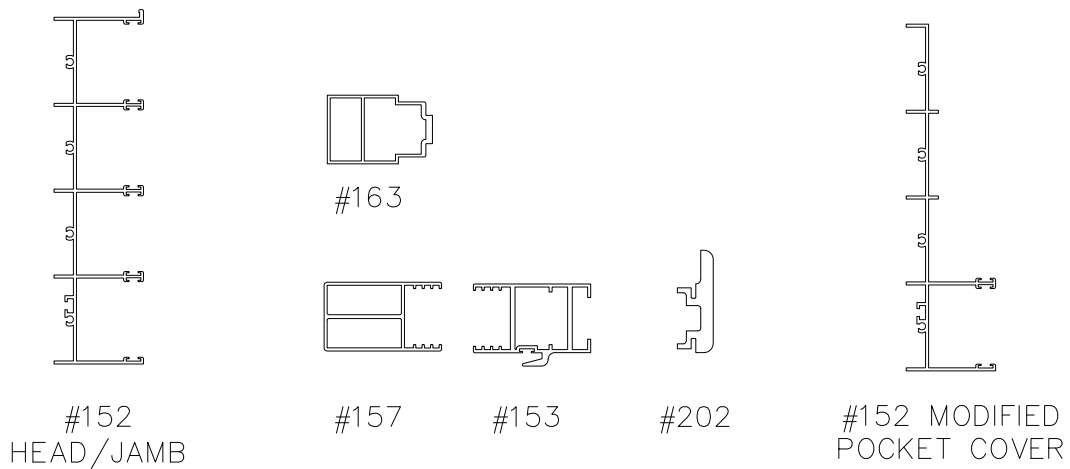
DRAWINGS\BROPAGES\E-F\P12.DWG

## INTERIOR



(3) TYPICAL MULTI-SLIDING GLASS DOOR INTERLOCK AT 1ST PANEL

## EXTERIOR XXXXP SHOWN



## XXXXP SHOWN

PXXXX OR XXXXP MULTI-SLIDING GLASS DOOR EXTRUSIONS - POCKET DOUBLE GLAZED

SCALE: 1:8