



DOOR SYSTEM - RESIDENTIAL
 SERIES 151 - MULTI-SLIDING GLASS DOOR (MSD)

1503 W. San Pedro St., Gilbert, Arizona 85233
 VOICE: 480-892-2600 / FAX : 480-892-0951

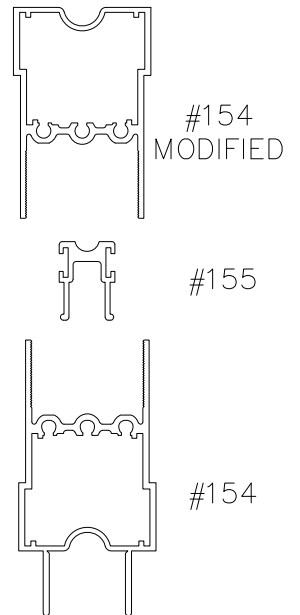
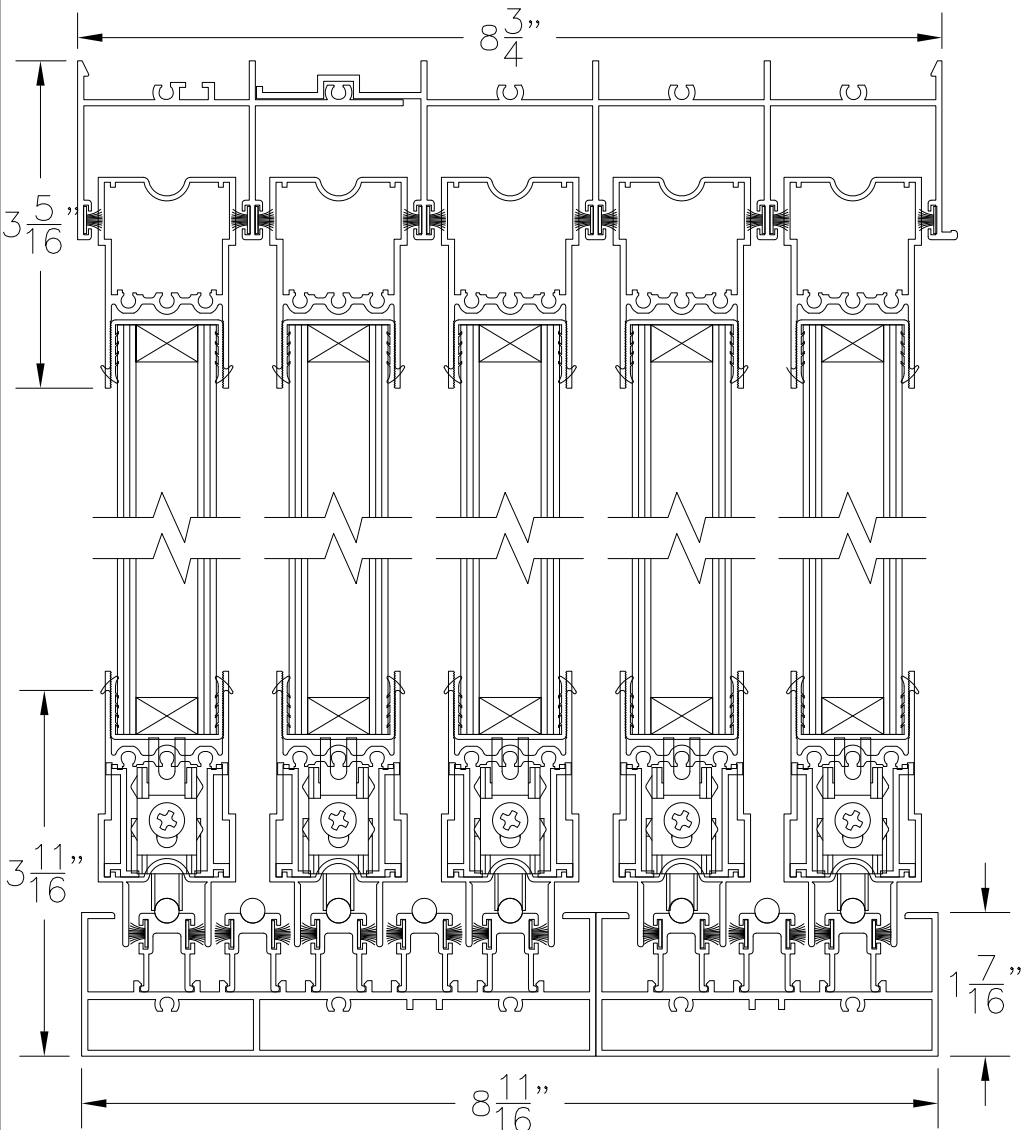
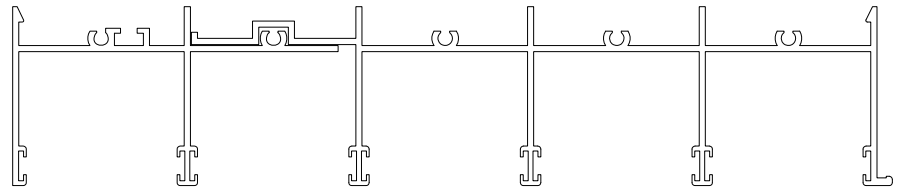
F2

DATE:
 5/6/11

DRAWINGS\BROPAGES\E-F\F2.DWG

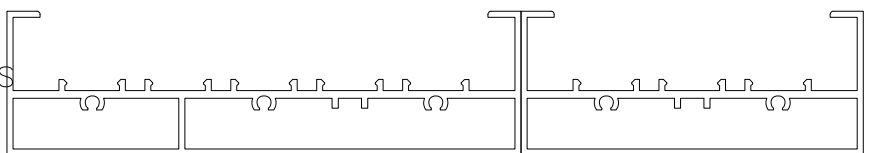
#159 + #175

① MULTI-SLIDING GLASS
 DOOR HEAD



#171+158+155

② MULTI-SLIDING GLASS
 DOOR SILL



VERTICAL SECTION THROUGH MULTI-SLIDING GLASS DOOR
 DOUBLE GLAZED
 SCALE: 1:2