



# DOOR SYSTEM – RESIDENTIAL

SERIES 111 – SLIDING GLASS DOOR – SGD4

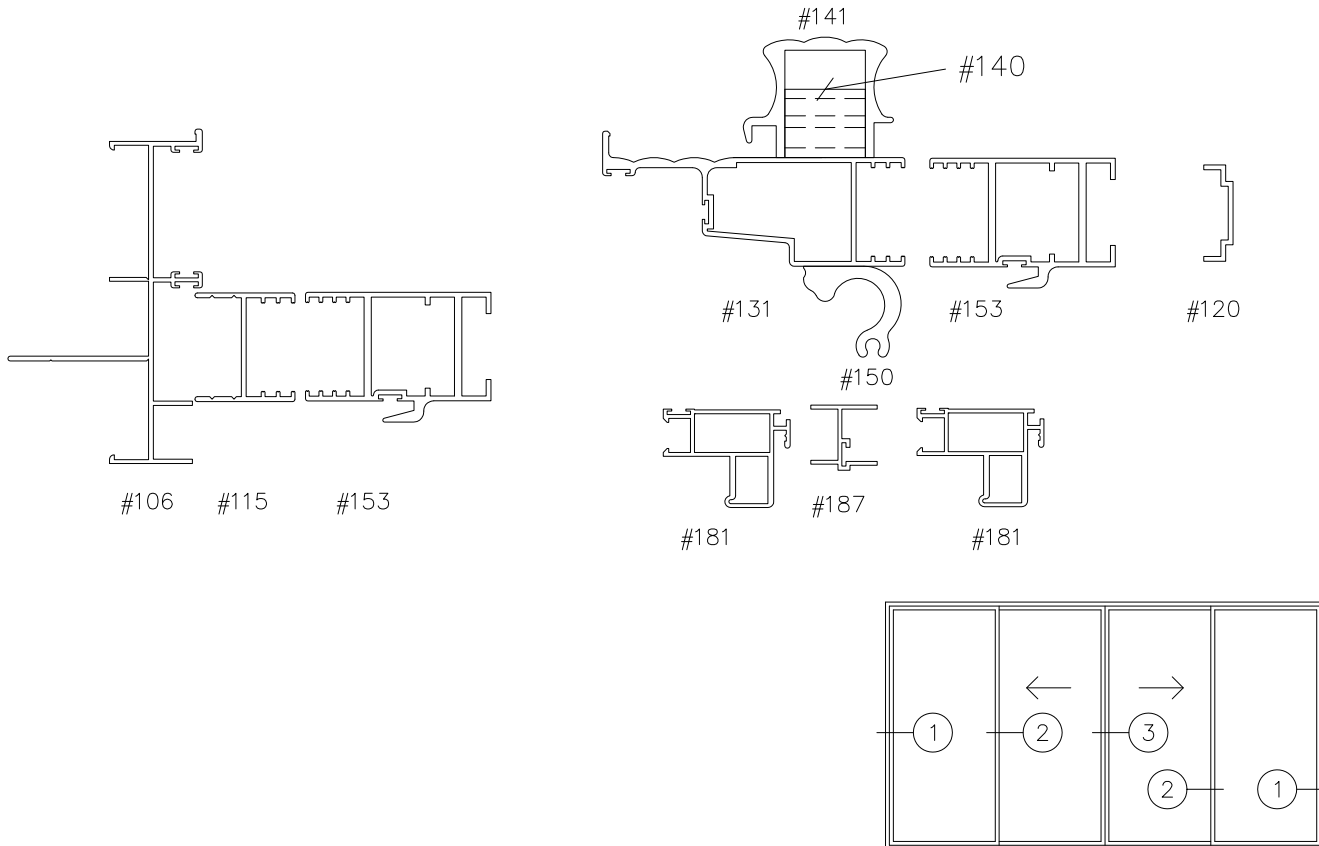
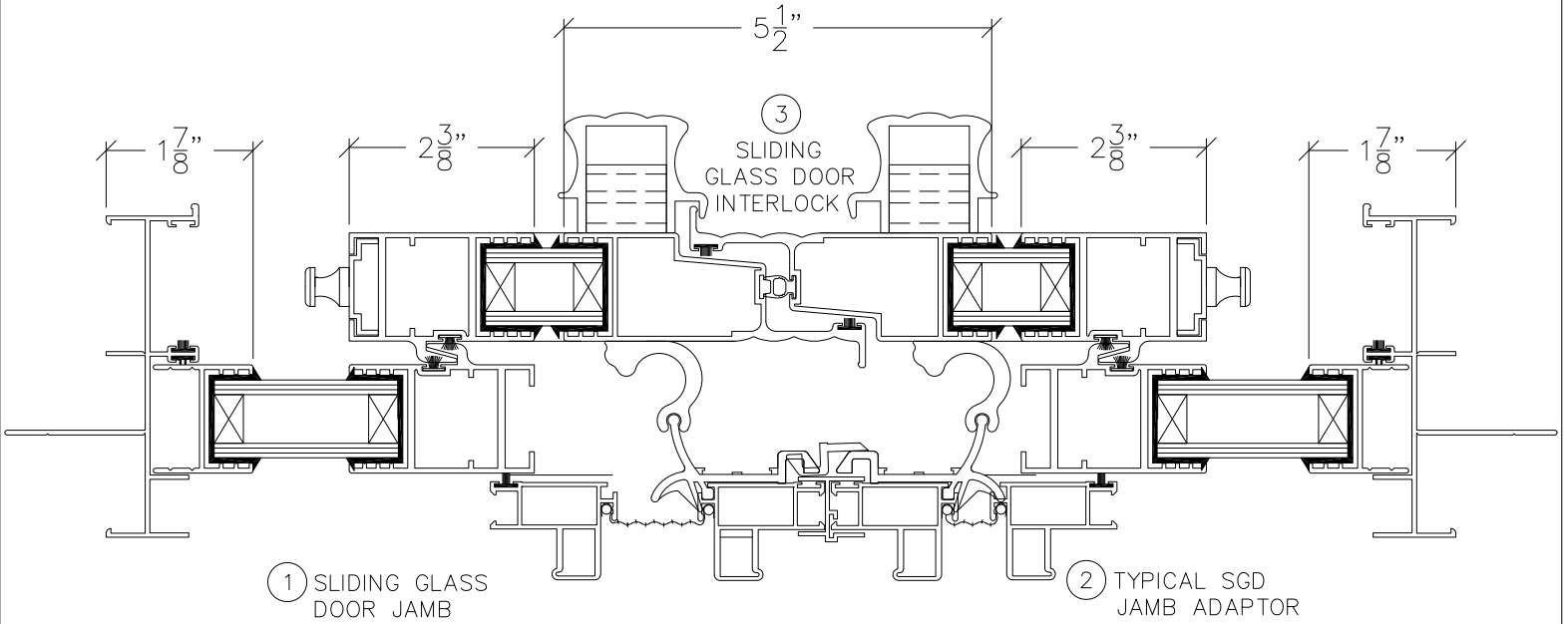
1503 W. San Pedro St., Gilbert, Arizona 85233

VOICE: 480-892-2600 / FAX : 480-892-0951

# E6

DATE:  
6/1/08

R:\DRAWINGS\BROPAGES\E-F\B6.DWG



HORIZONTAL SECTION THROUGH 4 1/8" 4-PANEL – SGD4  
SLIDING GLASS DOOR – DOUBLE GLAZED

SCALE: 1:2