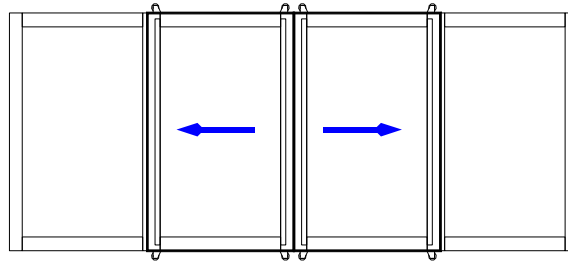


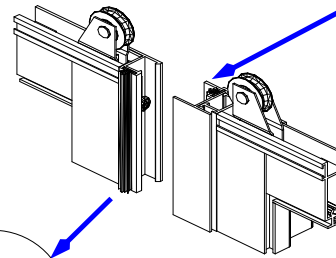
# TWICE AS NICE... TWO-PANEL SLIDING GLASS DOOR SCREENS

HERITAGE sliding glass door screens are designed and built not to bend or twist. Strong, extruded aluminum and telescopic corners make them the most durable in the industry. A proper paint match is assured.



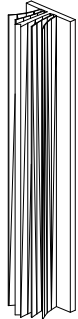
## INTERLOCK METAL ASTRAGAL

provides a smooth and straight closing of two screens against each other.



## WEATHER STRIPPING

Made of durable, longer lasting Fin-Seal for proper seal and good looks.

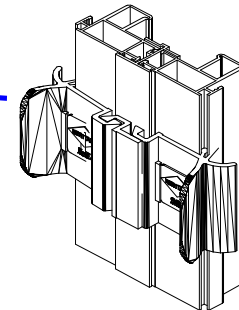


EXTERIOR PULLS BUILT INTO EXTRUSION

## LOCK-HANDLE MECHANISM

Patented design allows handle to engage to the sliding door's handle. Result: you can operate both door and screen in one action

STILES ARE CAMBERED INDIVIDUALLY PROVIDING A TIGHT MESH SCREEN

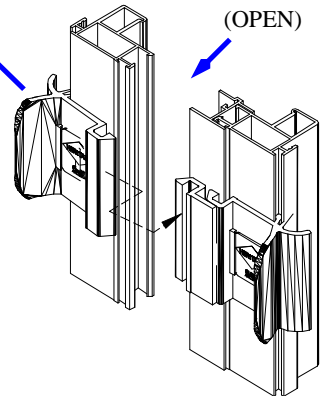


(CLOSED)

—INTERIOR VIEW—

## EIGHT ADJUSTABLE BALL BEARING STEEL ROLLERS

(one in each corner) with set screws make it easy to get "back on track" if the screen door is pushed out.



(OPEN)

**HERITAGE**

ALUMINUM WINDOWS AND DOORS

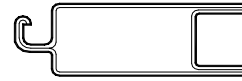
MANUFACTURED BY  
TASHCO INDUSTRIES, INC.  
1503 W. SAN PEDRO STREET  
GILBERT, ARIZONA 85233  
PHONE: (480) 892-2600  
FAX: (480) 892-0951  
MANUFACTURER RESERVES RIGHTS TO  
REVISE PRODUCTS WITHOUT PRIOR NOTICE.  
PRINTED IN U.S.A. COPYRIGHT 2000.

# SLIDING GLASS DOOR SCREENS THAT WON'T BEND, TWIST OR BREAK

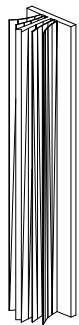
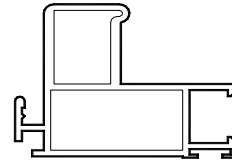
- **SMOOTH SLIDING**
- **WELL BUILT**
- **LONG LASTING**

HERITAGE sliding glass door screens are designed and built not to bend or twist. Strong, extruded aluminum and telescopic corners make them the most durable in the industry. A proper paint match is assured.

TYPICAL INDUSTRY  
ROLL-FORMED DESIGN



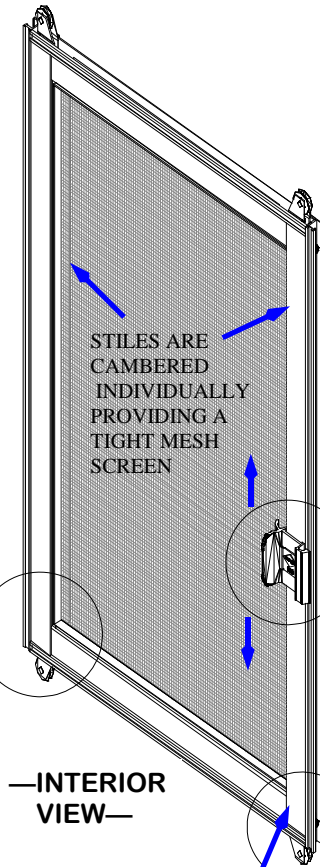
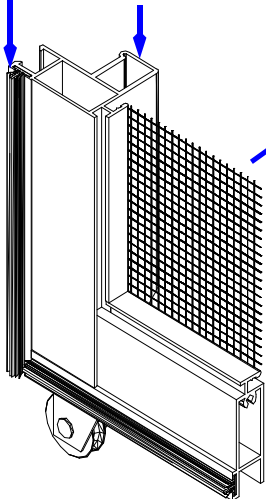
HERITAGE EXTRUDED DESIGN FOR ADDED  
STRENGTH (IN 7 FT +) TALL SCREENS



## WEATHER STRIPPING

Made of durable, longer lasting Fin-Seal for proper seal and good looks.

EXTERIOR PULLS  
BUILT INTO  
EXTRUSION

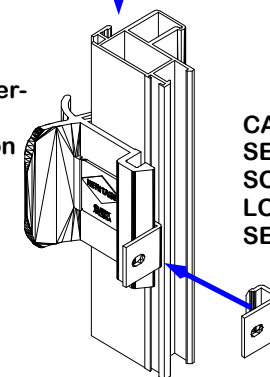


—INTERIOR VIEW—

STILES ARE  
CAMBERED  
INDIVIDUALLY  
PROVIDING A  
TIGHT MESH  
SCREEN

## LOCK-HANDLE MECHANISM

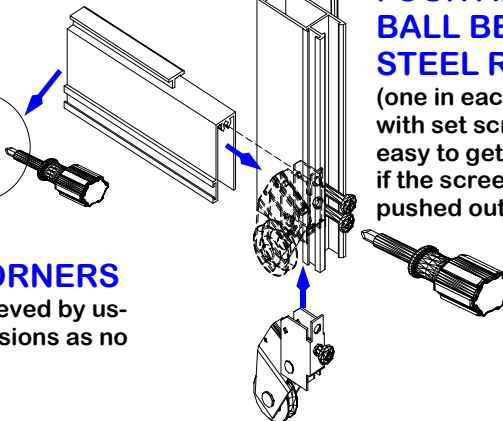
Patented design allows handle to engage to the sliding door's handle. Result: you can operate both door and screen in one action



CATCH IS NOT  
SELF-CLOSING  
SO YOU DON'T  
LOCK YOUR-  
SELF OUT

## FOUR ADJUSTABLE BALL BEARING STEEL ROLLERS

(one in each corner) with set screws make it easy to get "back on track" if the screen door is pushed out.



## TELESCOPIC CORNERS

stronger corners achieved by using two different extrusions as no other screen.

# HERITAGE

ALUMINUM WINDOWS AND DOORS

MANUFACTURED BY  
TASHCO INDUSTRIES, INC.  
1503 W. SAN PEDRO STREET  
GILBERT, ARIZONA 85233  
PHONE: (480) 892-2600  
FAX: (480) 892-0951  
MANUFACTURER RESERVES RIGHTS TO  
REVISE PRODUCTS WITHOUT PRIOR NOTICE.  
PRINTED IN U.S.A. COPYRIGHT 2000.