



DOOR SYSTEM – RESIDENTIAL

SERIES 111 – SLIDING GLASS DOOR – SGD3

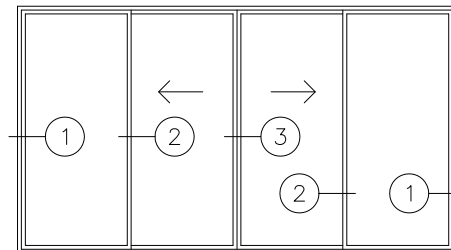
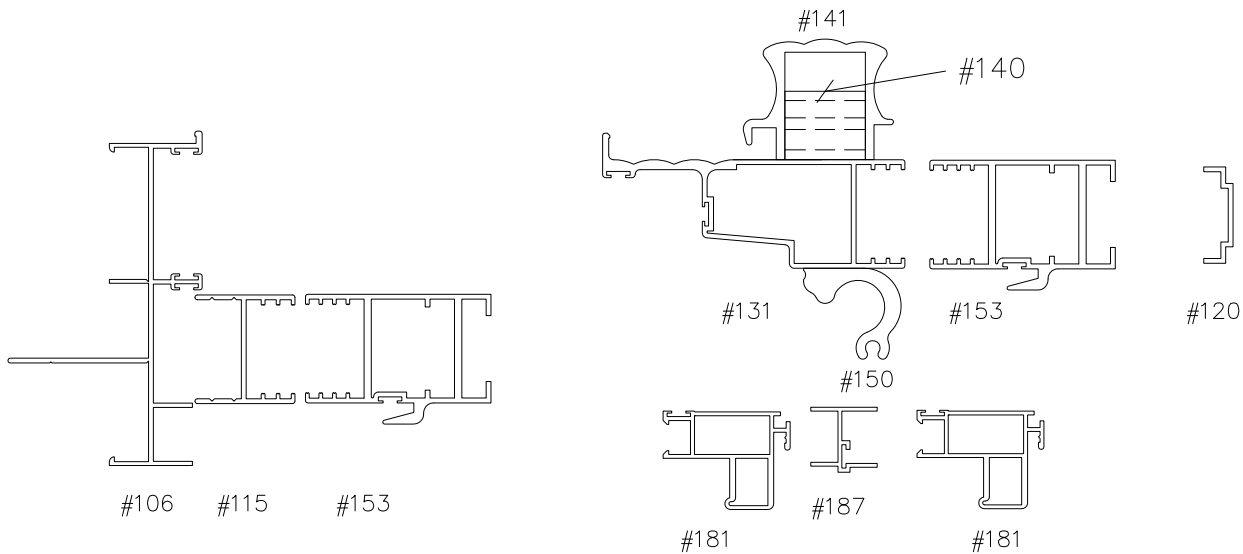
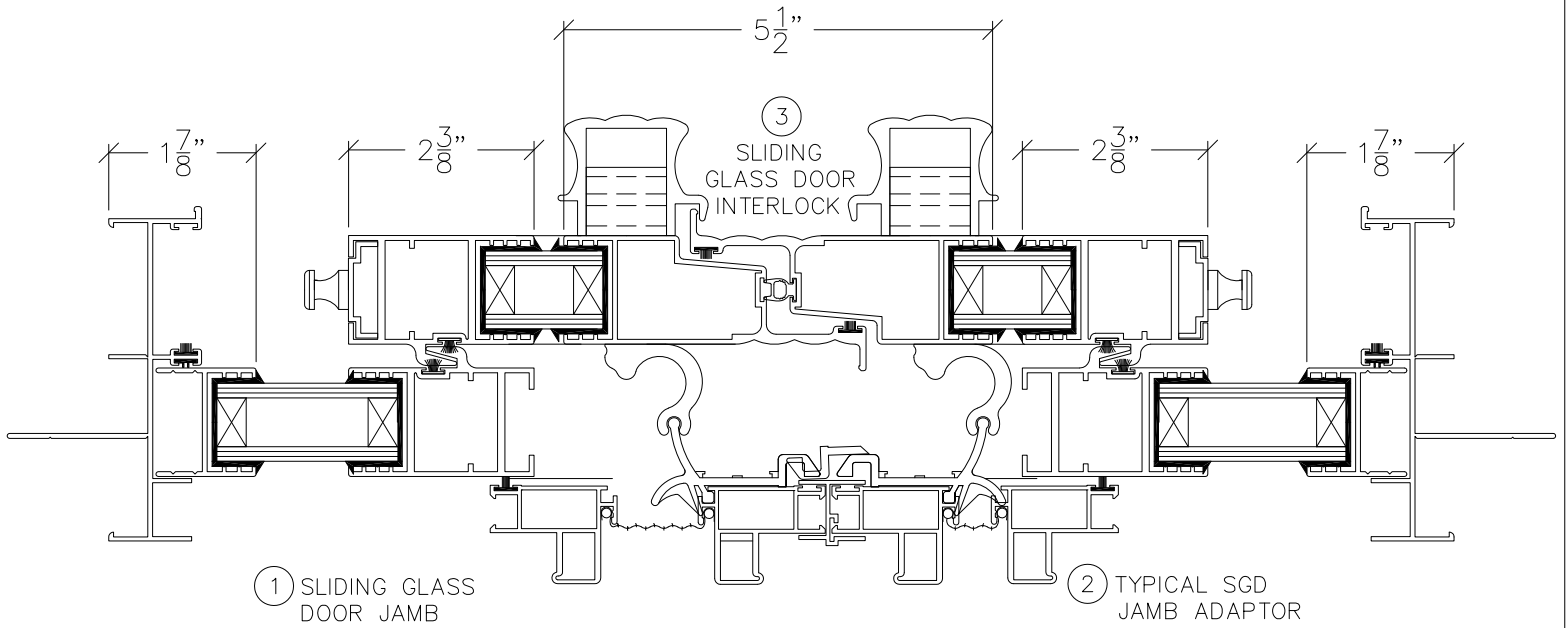
1503 W. San Pedro St., Gilbert, Arizona 85233

VOICE: 480-892-2600 / FAX : 480-892-0951

D6

DATE:
6/1/08

R:\DRAWINGS\BROPAGES\C-D\D6.DWG



HORIZONTAL SECTION THROUGH 4 1/8" 4-PANEL – SGD3
SLIDING GLASS DOOR – DOUBLE GLAZED

SCALE: 1:2