



DOOR SYSTEM - RESIDENTIAL

SERIES 111 - SLIDING GLASS DOOR - SGD3

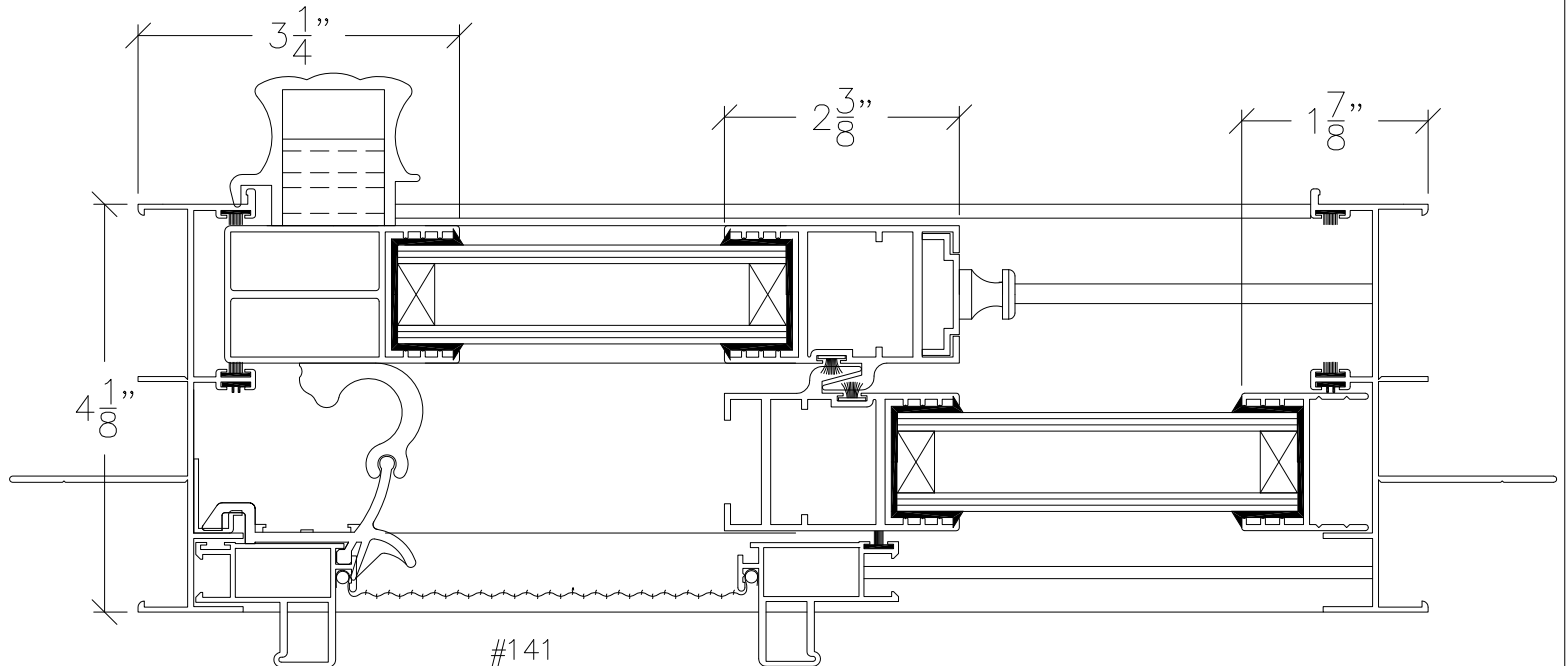
1503 W. San Pedro St., Gilbert, Arizona 85233

VOICE: 480-892-2600 / FAX : 480-892-0951

D4

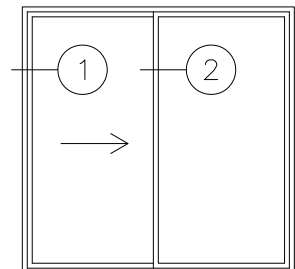
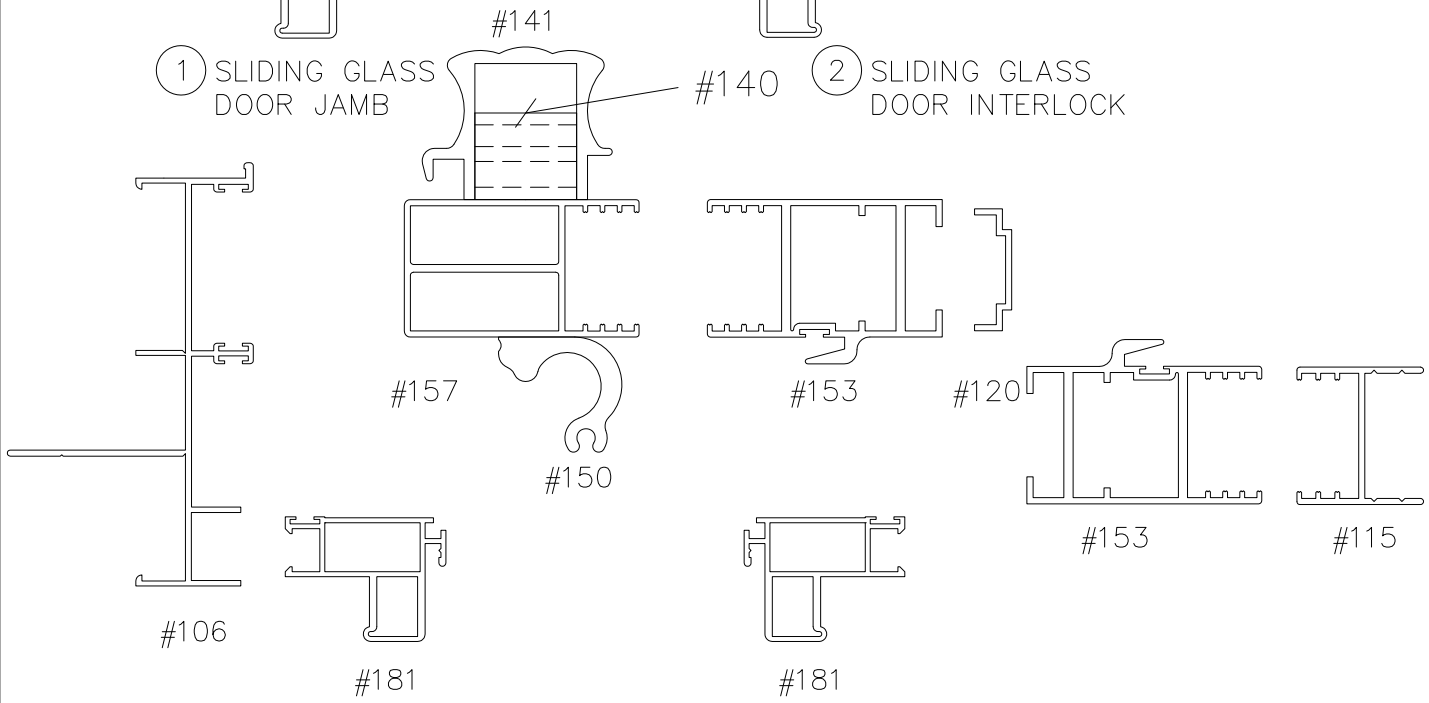
DATE:
6/1/08

R:\DRAWINGS\BROPAGE'S\C-D\D4.DWG



① SLIDING GLASS DOOR JAMB

② SLIDING GLASS DOOR INTERLOCK



HORIZONTAL SECTION THROUGH SLIDING GLASS DOOR - SGD3
DOUBLE GLAZED

SCALE: 1:2