



DOOR SYSTEM – RESIDENTIAL

SERIES 111 – SLIDING GLASS DOOR – SGD3

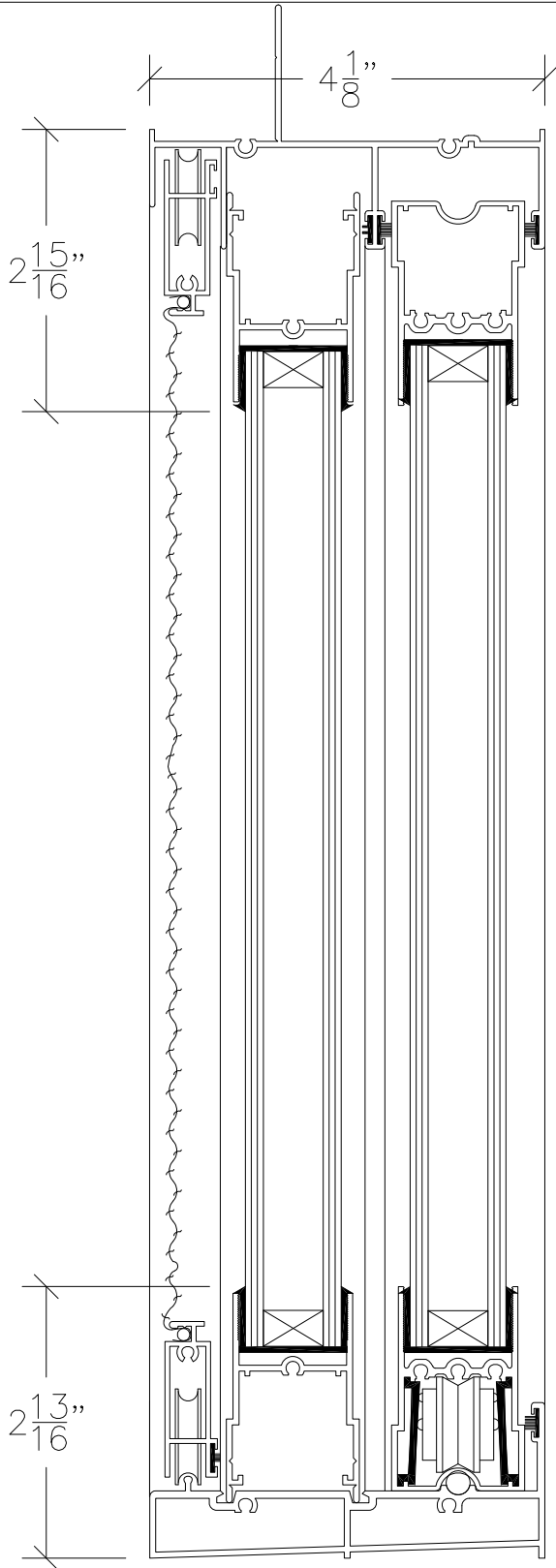
1503 W. San Pedro St., Gilbert, Arizona 85233

VOICE: 480-892-2600 / FAX : 480-892-0951

D2

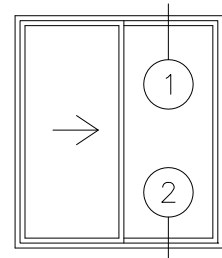
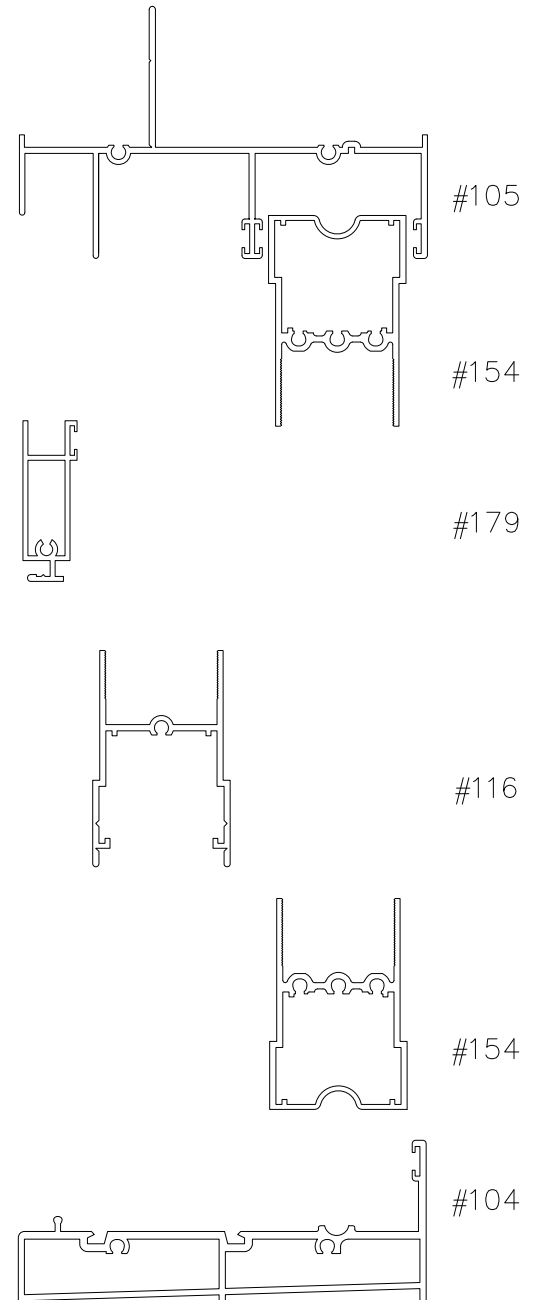
DATE:
6/1/08

R:\DRAWINGS\BROPAGE\S-C-D\02.DWG



① SLIDING GLASS
DOOR HEAD

② SLIDING GLASS
DOOR SILL



VERTICAL SECTION THROUGH SLIDING GLASS DOOR – SGD3
DOUBLE GLAZED

SCALE: 1:2