



DOOR SYSTEM - RESIDENTIAL

SERIES 111 - SLIDING GLASS DOOR - SGD2

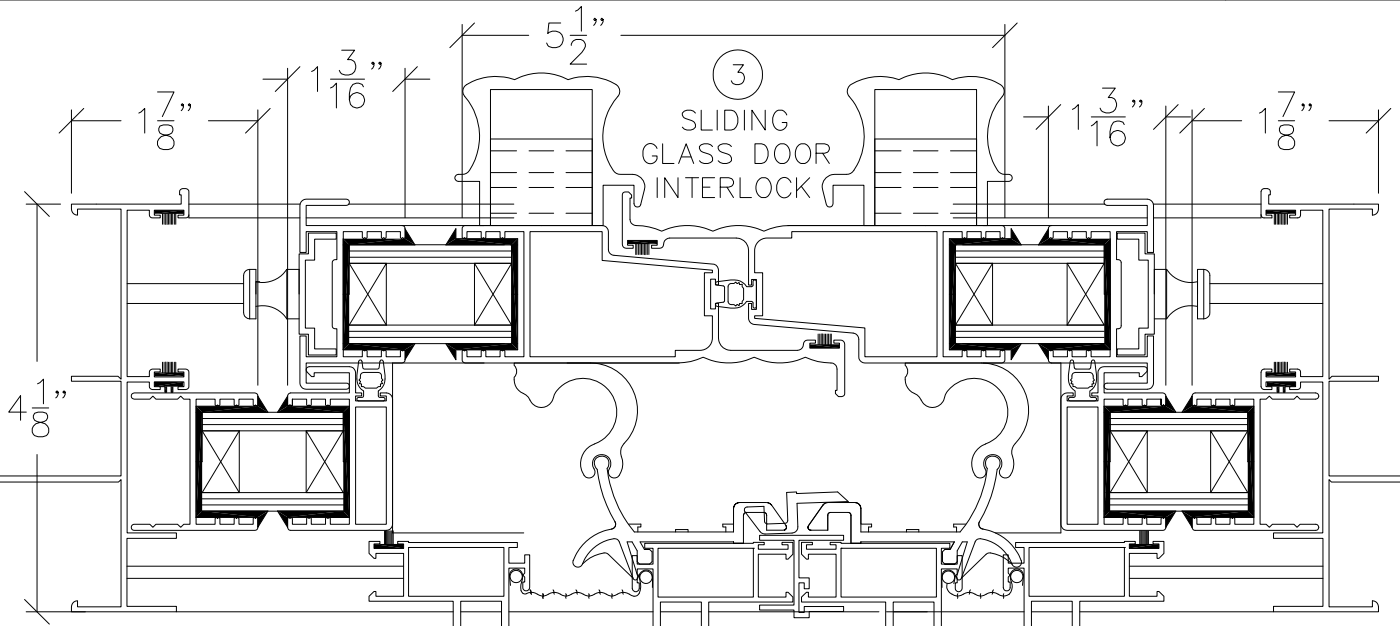
1503 W. San Pedro St., Gilbert, Arizona 85233

VOICE: 480-892-2600 / FAX : 480-892-0951

C6

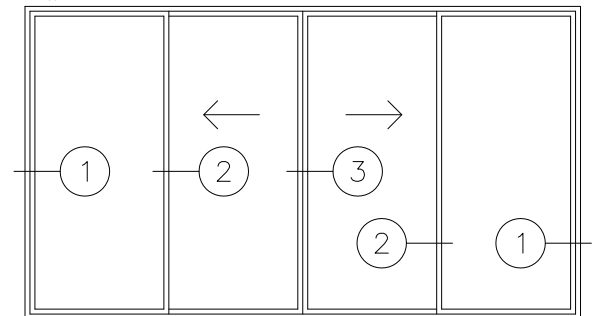
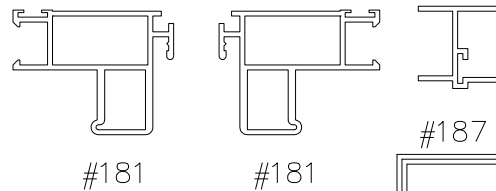
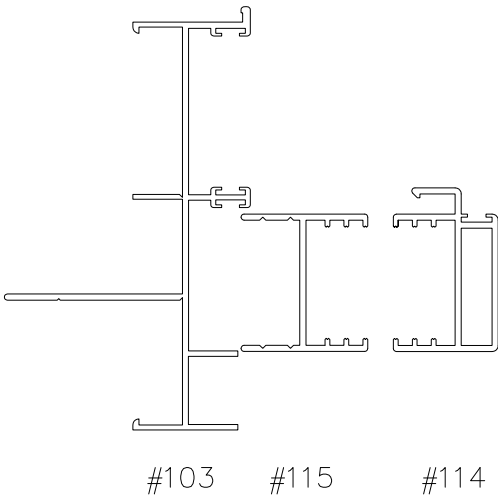
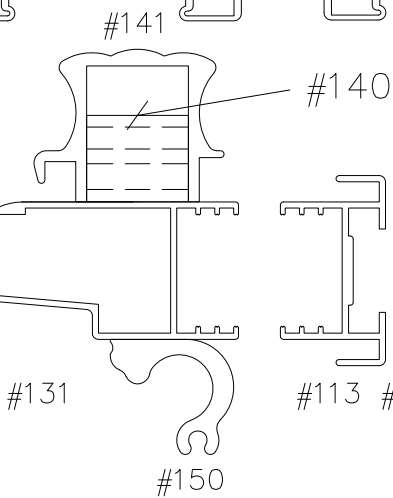
DATE:
6/1/08

R:\DRAWINGS\BROPAGES\C-D\C6.DWG



1 SLIDING GLASS DOOR JAMB

2 TYPICAL SGD JAMB ADAPTOR



HORIZONTAL SECTION THROUGH 4 1/8" 4-PANEL - SGD2
SLIDING GLASS DOOR - DOUBLE GLAZED

SCALE: 1:2