



DOOR SYSTEM – RESIDENTIAL

SERIES 111 – SLIDING GLASS DOOR – SGD2

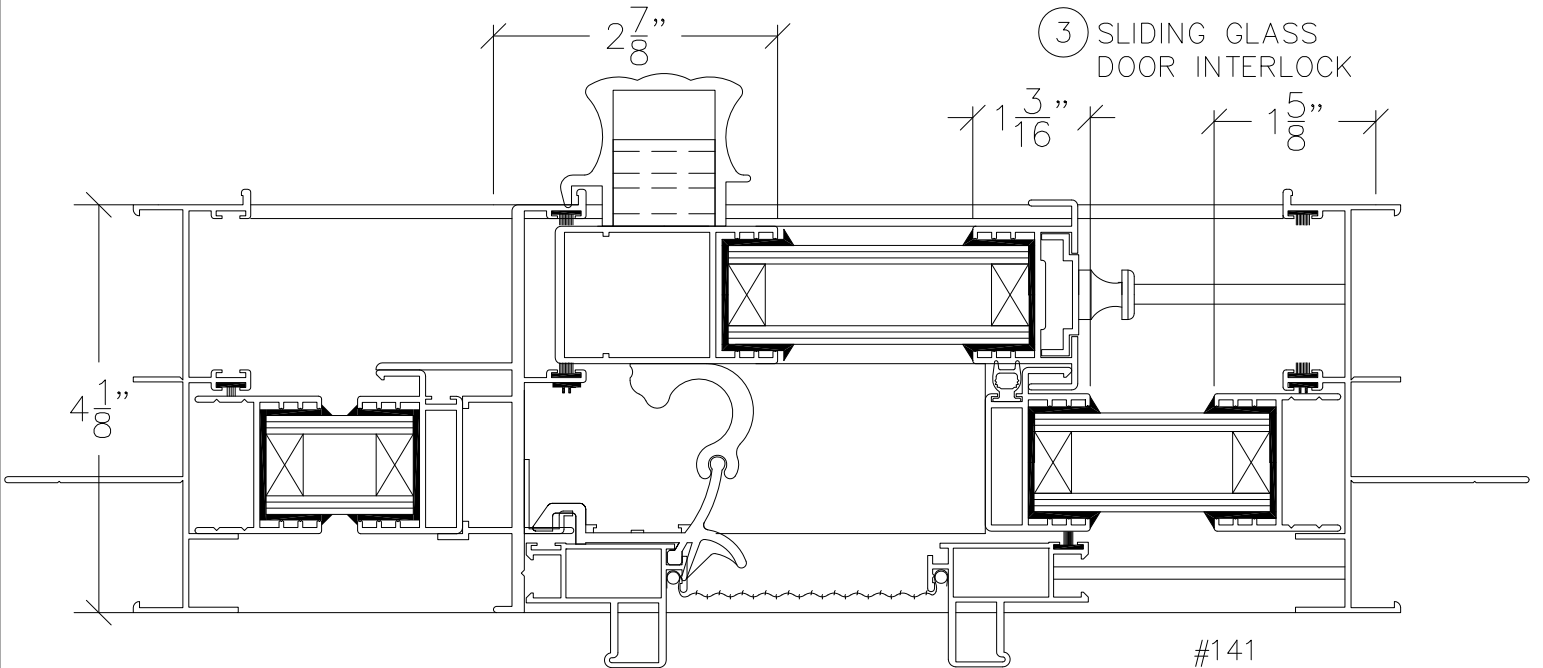
1503 W. San Pedro St., Gilbert, Arizona 85233

VOICE: 480-892-2600 / FAX : 480-892-0951

C5

DATE:
6/1/08

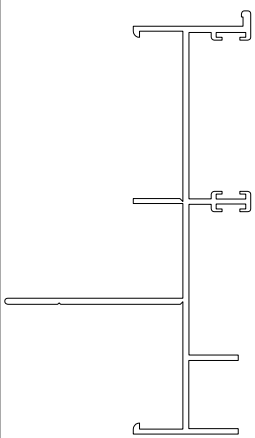
R:\DRAWINGS\BROGPAGES\C-D\C5.DWG



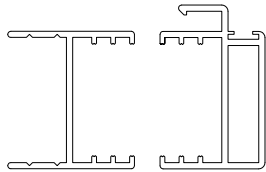
① SLIDING GLASS
DOOR JAMB

② TYPICAL SGD
JAMB ADAPTOR
OXO

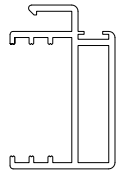
③ SLIDING GLASS
DOOR INTERLOCK



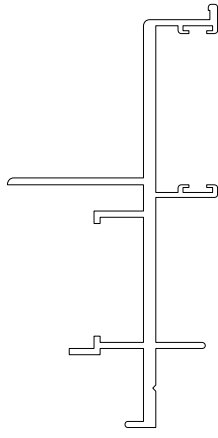
#106



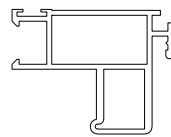
#115



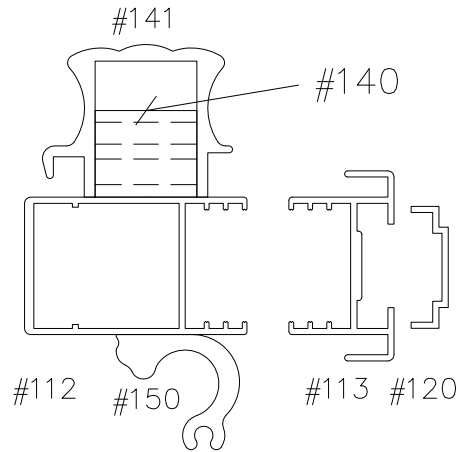
#114



#119



#181



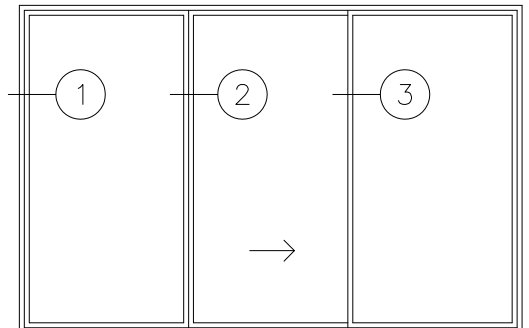
#112

#150

#113

#115

#181



HORIZONTAL SECTION THROUGH 3-PANEL SLIDING – SGD2
GLASS DOOR DOUBLE GLAZED

SCALE: 1:2