



# DOOR SYSTEM – RESIDENTIAL

SERIES 111 – SLIDING GLASS DOOR – SGD2

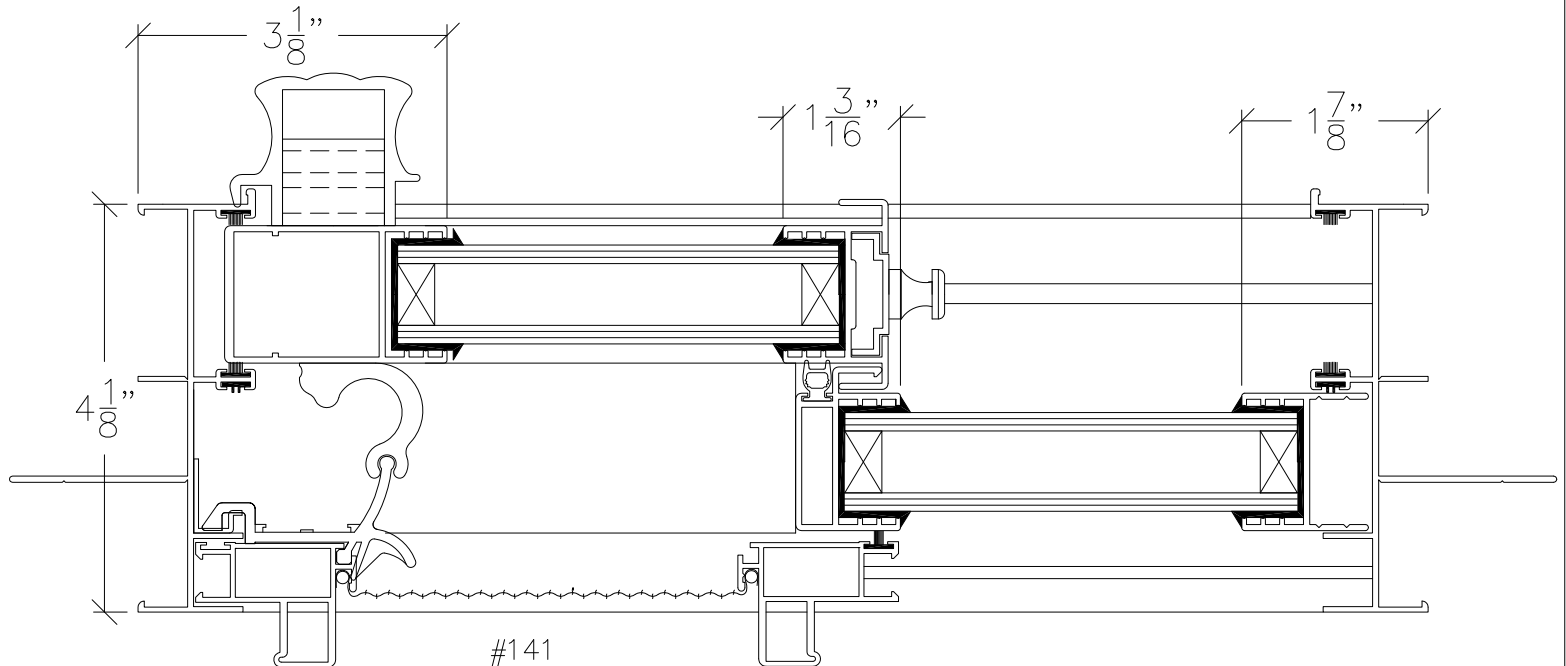
1503 W. San Pedro St., Gilbert, Arizona 85233

VOICE: 480-892-2600 / FAX : 480-892-0951

C4

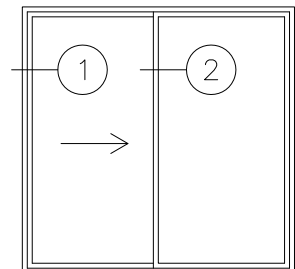
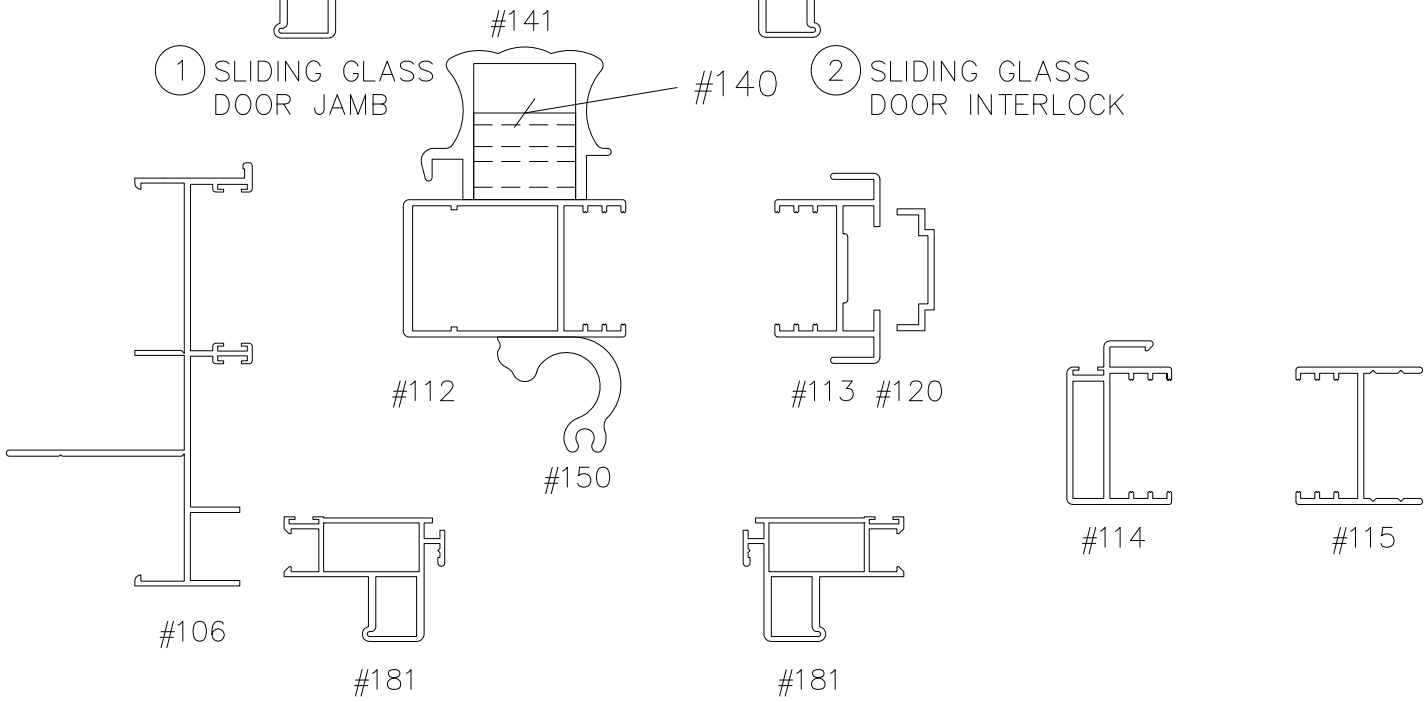
DATE:  
6/1/08

R:\DRAWINGS\BROPAGE\S-C-D\C4.DWG



① SLIDING GLASS DOOR JAMB

② SLIDING GLASS DOOR INTERLOCK



HORIZONTAL SECTION THROUGH SLIDING GLASS DOOR – SGD2  
DOUBLE GLAZED

SCALE: 1:2