



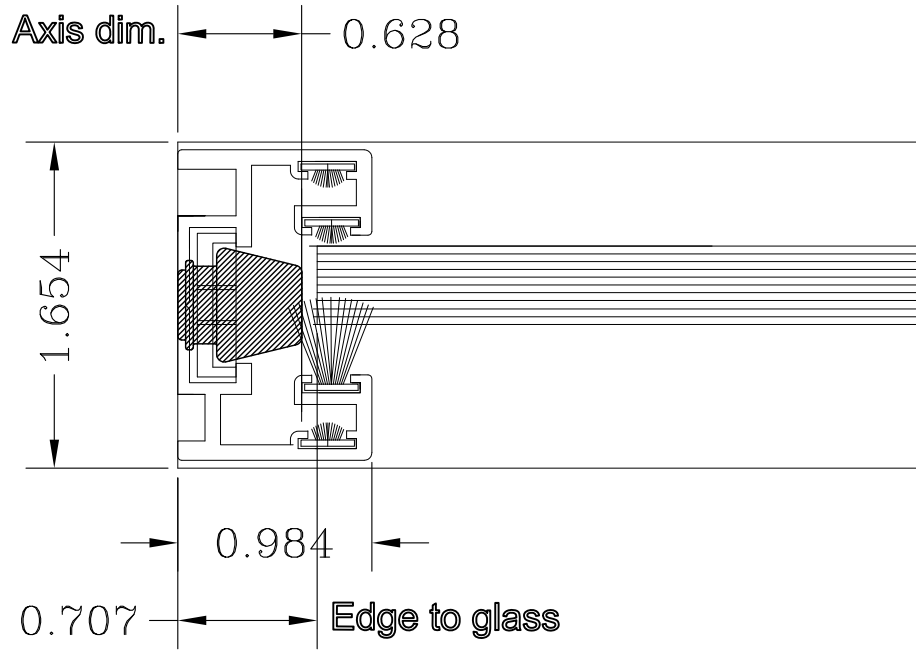
# SLIDE AND STACK

Wall jamb, sliding side

C05

1503 W. San Pedro St., Gilbert, Arizona 85233  
VOICE: 480-892-2600 / FAX : 480-892-0951

DATE:  
1/24/11  
R:\DRAWINGS\BROPAGES\M.M.DWG



SCALE: 1:1