



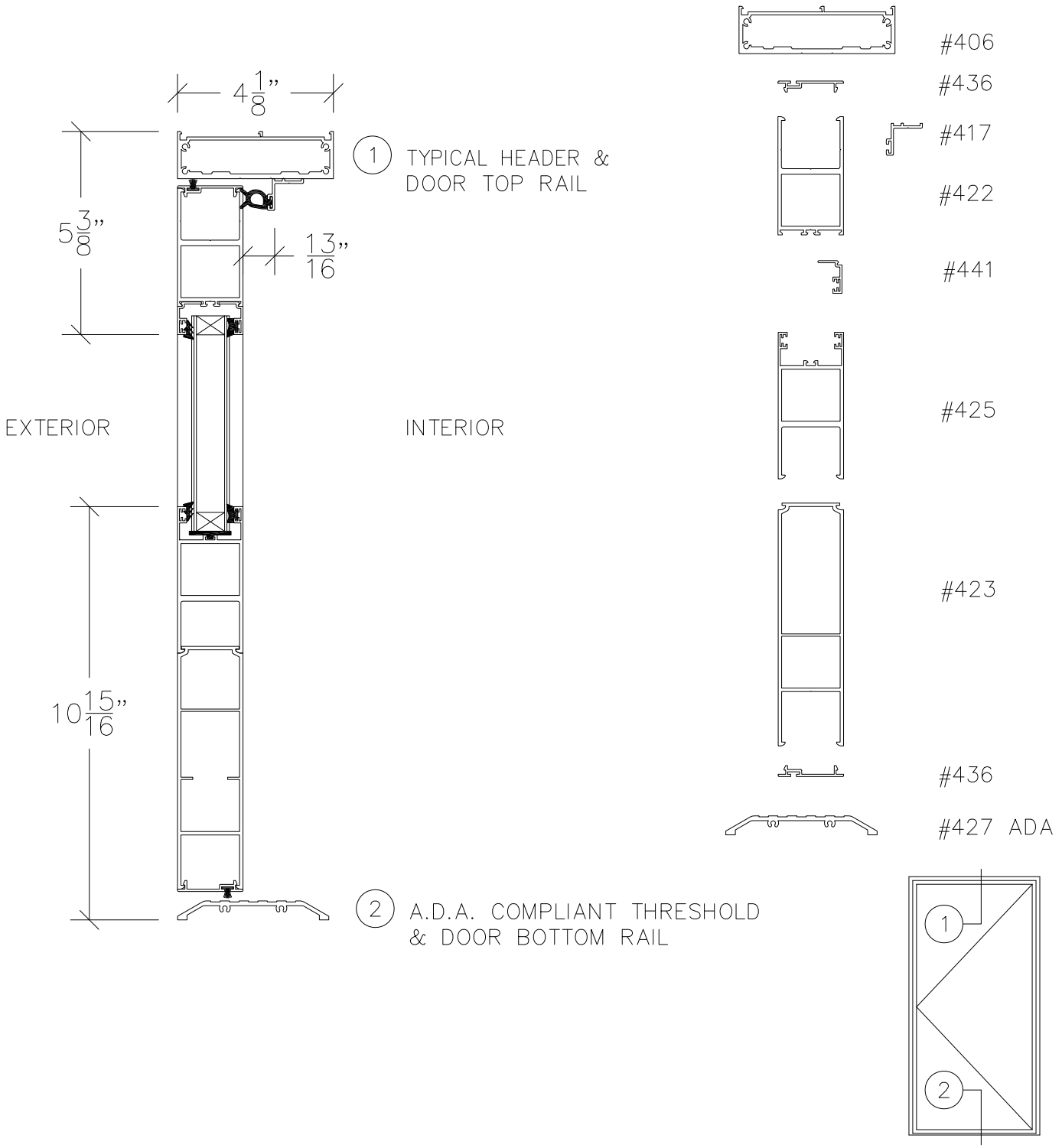
WINDOW SYSTEM
 SERIES 430 - SWINGING DOOR
 A.D.A. COMPLIANT - SWING OUT

B7

1503 W. San Pedro St., Gilbert, Arizona 85233
 VOICE: 480-892-2600 / FAX : 480-892-0951

DATE:
 6/1/08

R:\DRAWINGS\BROGPAGES\A-B\B7.DWG



VERTICAL SECTION THROUGH SINGLE/PAIR
 SWINGING DOORS
 SCALE: QUARTER SIZE