



WINDOW SYSTEM

SERIES 430 - SWINGING DOOR

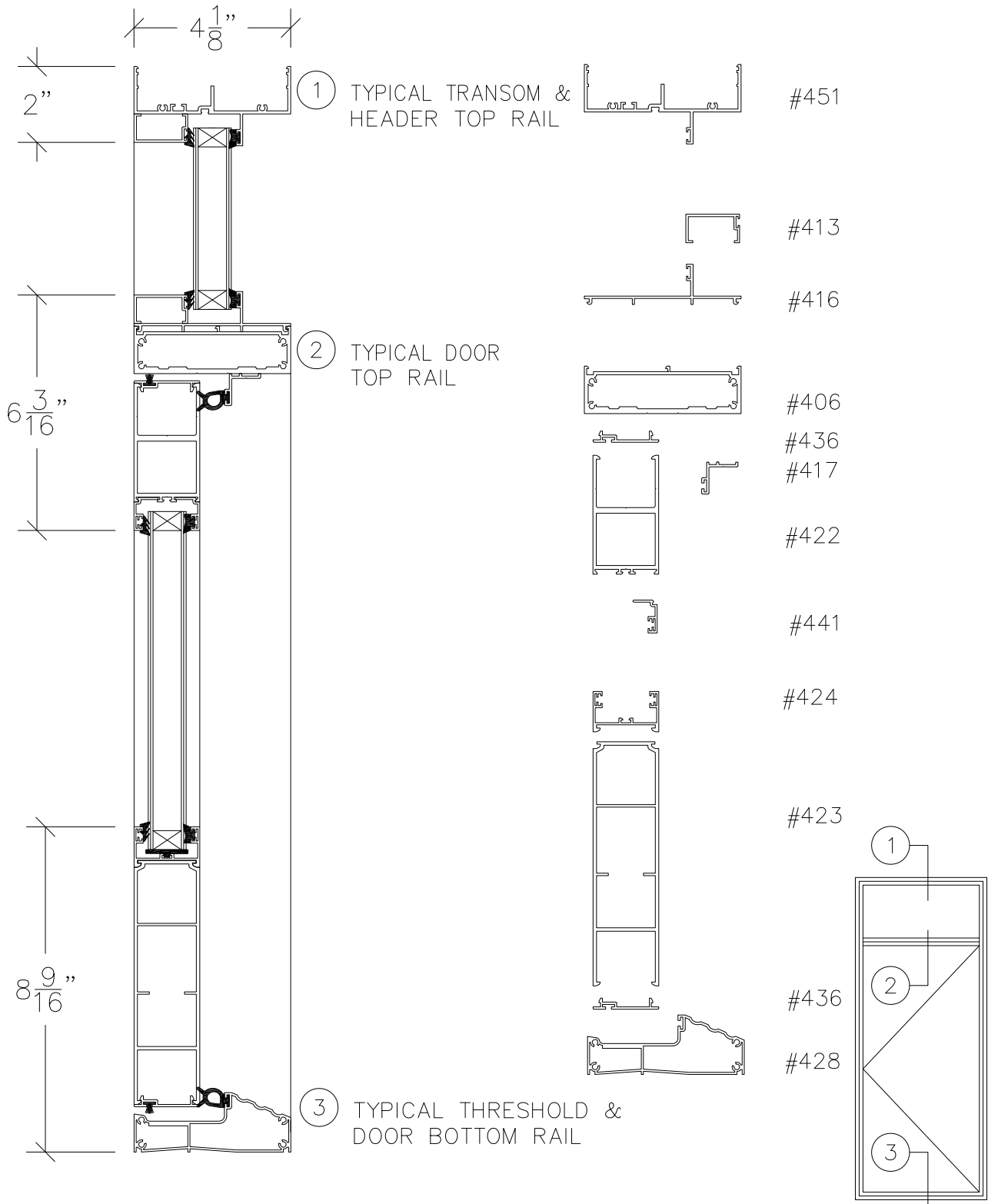
1503 W. San Pedro St., Gilbert, Arizona 85233

VOICE: 480-892-2600 / FAX : 480-892-0951

B4

DATE:
6/1/08

R:\DRAWINGS\BROGPAGES\A-B\B4.DWG



VERTICAL SECTION THROUGH TRANSOM OF SINGLE/PAIR SWINGING DOORS
SCALE: QUARTER SIZE