



WINDOW SYSTEM

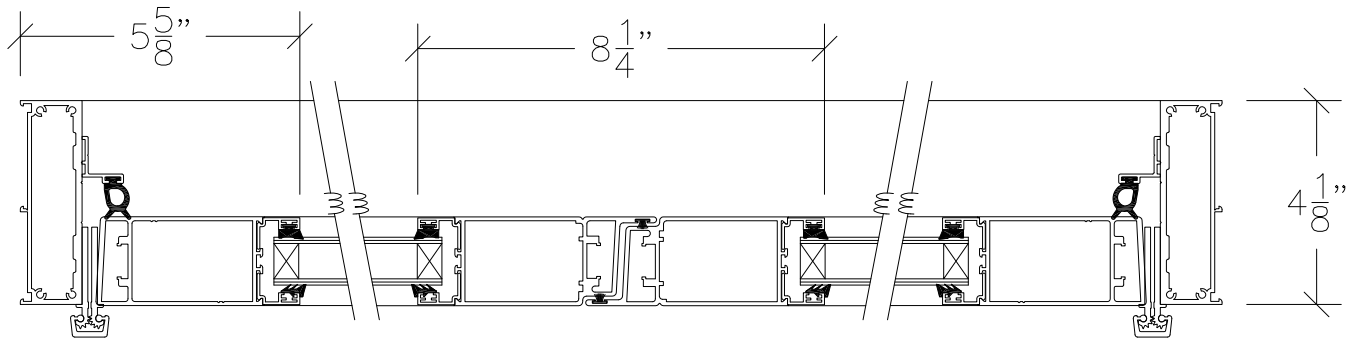
SERIES 430 - SWINGING DOOR

1503 W. San Pedro St., Gilbert, Arizona 85233
VOICE: 480-892-2600 / FAX : 480-892-0951

B3

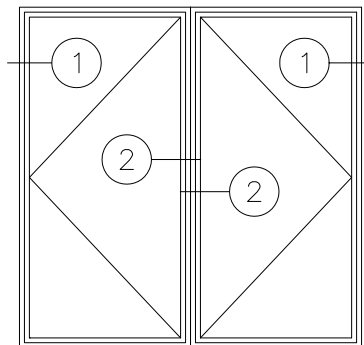
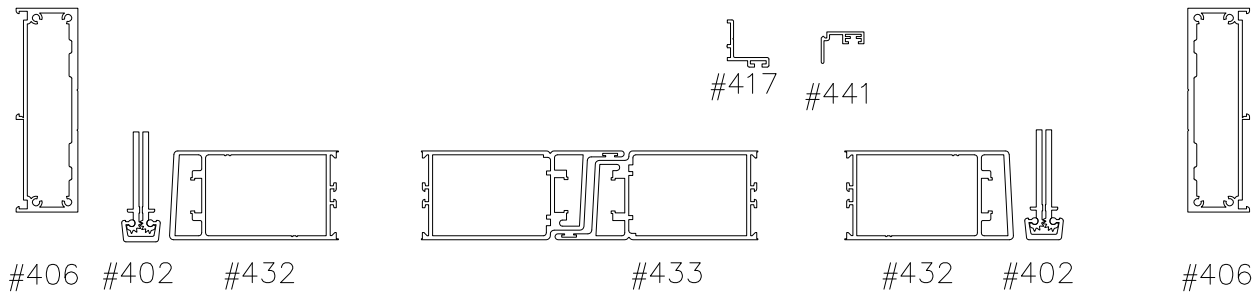
DATE:
6/1/08

R:\DRAWINGS\BROPAGES\A-B\B3.DWG



① TYPICAL JAMB & DOOR STILE

② TYPICAL ASTRAGAL DOOR STILE



HORIZONTAL SECTION THROUGH HINGE/LOCKSTILE
OF PAIR SWINGING DOOR
SCALE: QUARTER SIZE