



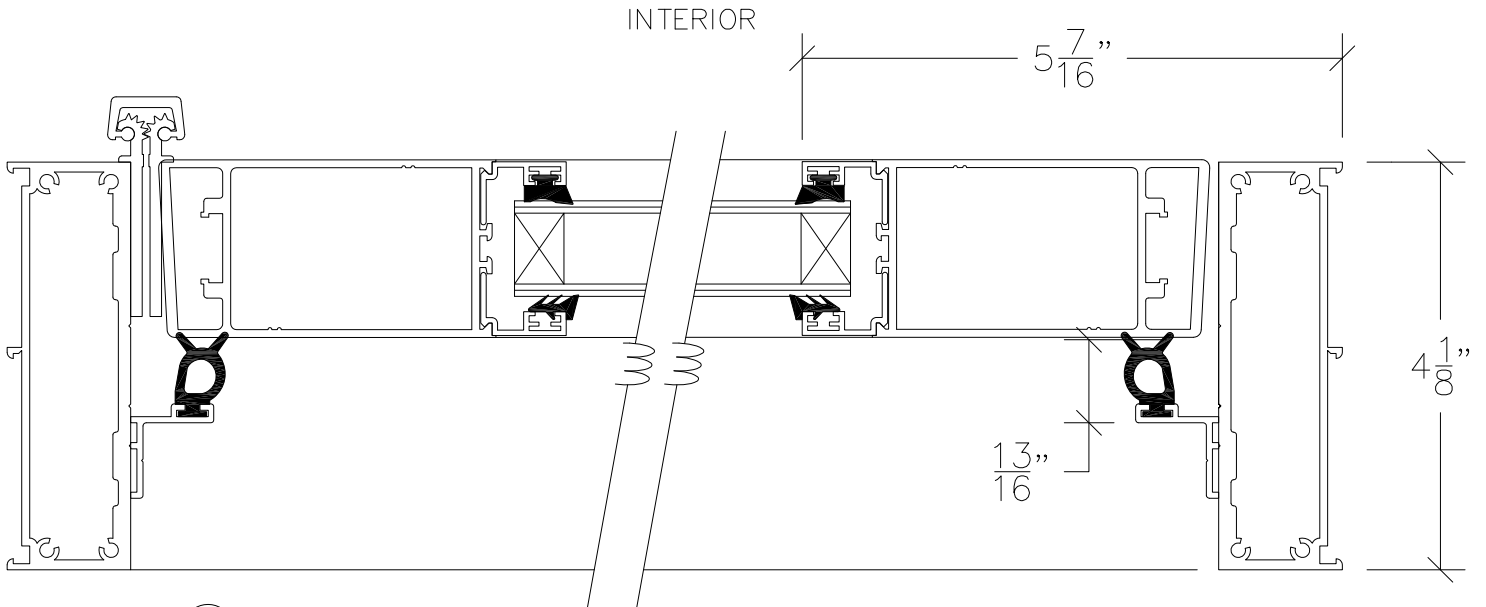
WINDOW SYSTEM
SERIES 430 - SWINGING DOOR
HINGE LEFT - SWING IN

1503 W. San Pedro St., Gilbert, Arizona 85233
VOICE: 480-892-2600 / FAX : 480-892-0951

B2C

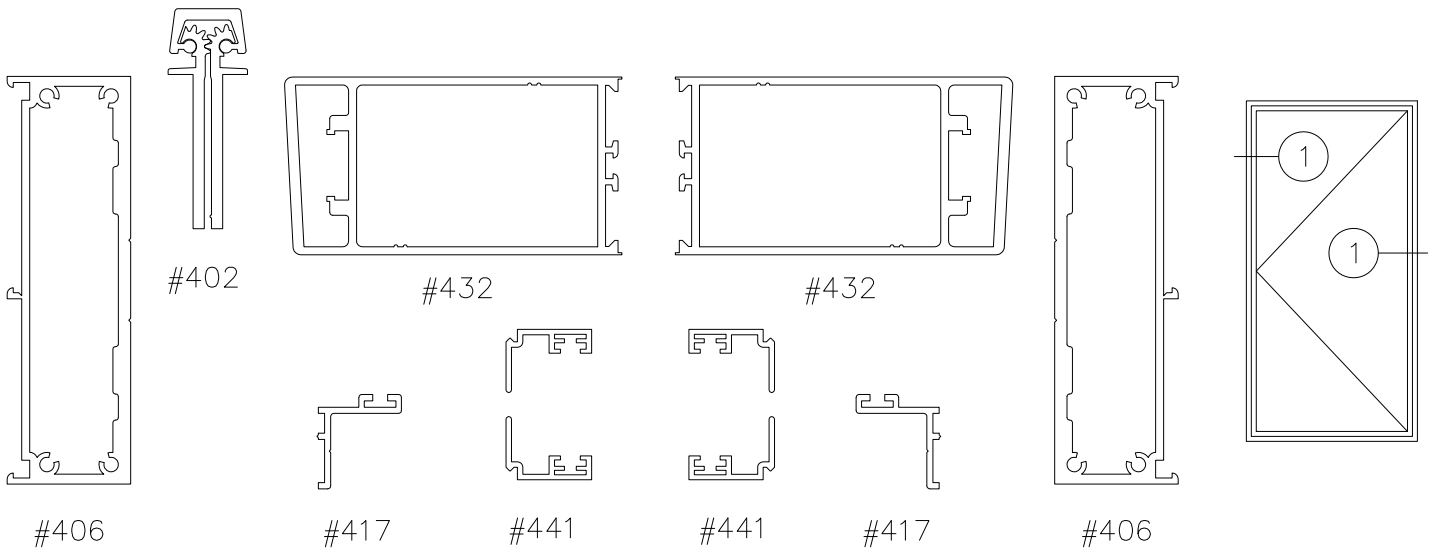
DATE:
6/1/08

R:\DRAWINGS\BROPAGE\A-B\B2.C.DWG



① TYPICAL JAMB & DOOR STILE

EXTERIOR



HORIZONTAL SECTION THROUGH HINGE/LOCKSTILE
OF SINGLE SWINGING DOOR
SCALE: HALF SIZE