



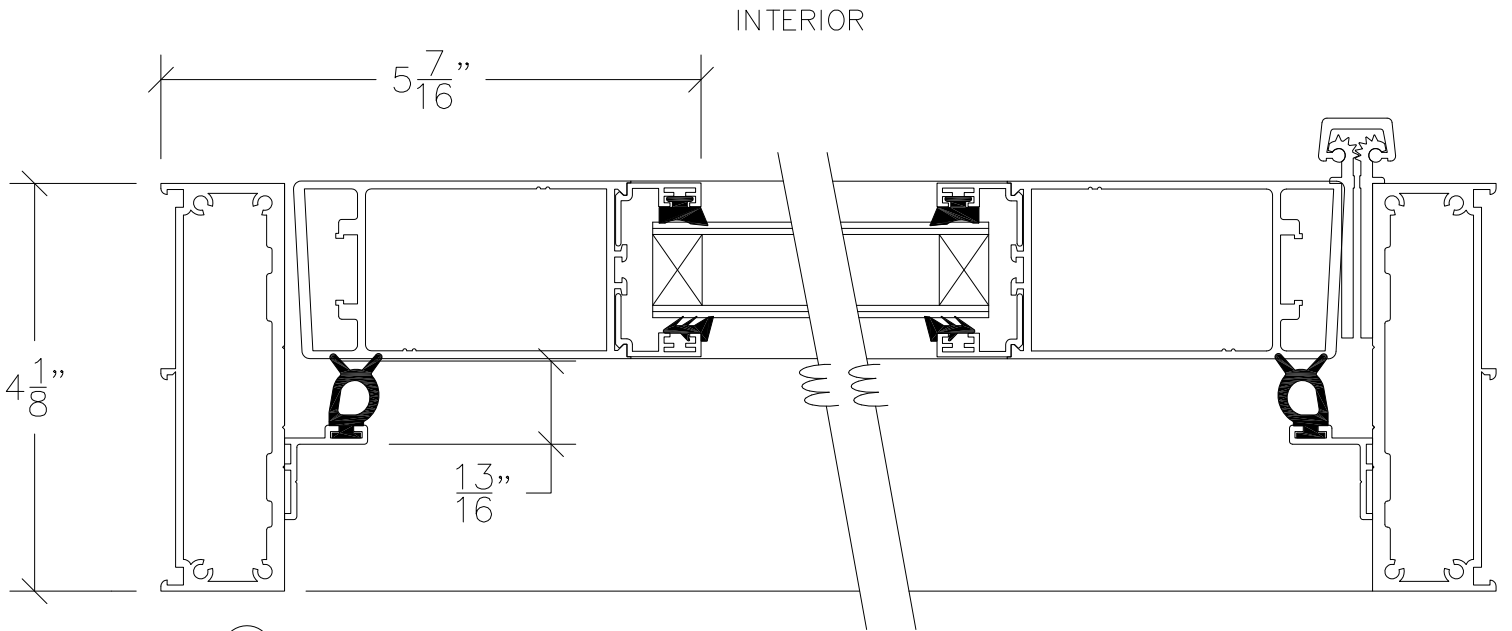
WINDOW SYSTEM
 SERIES 430 - SWINGING DOOR
 HINGE RIGHT - SWING IN

1503 W. San Pedro St., Gilbert, Arizona 85233
 VOICE: 480-892-2600 / FAX : 480-892-0951

B2B

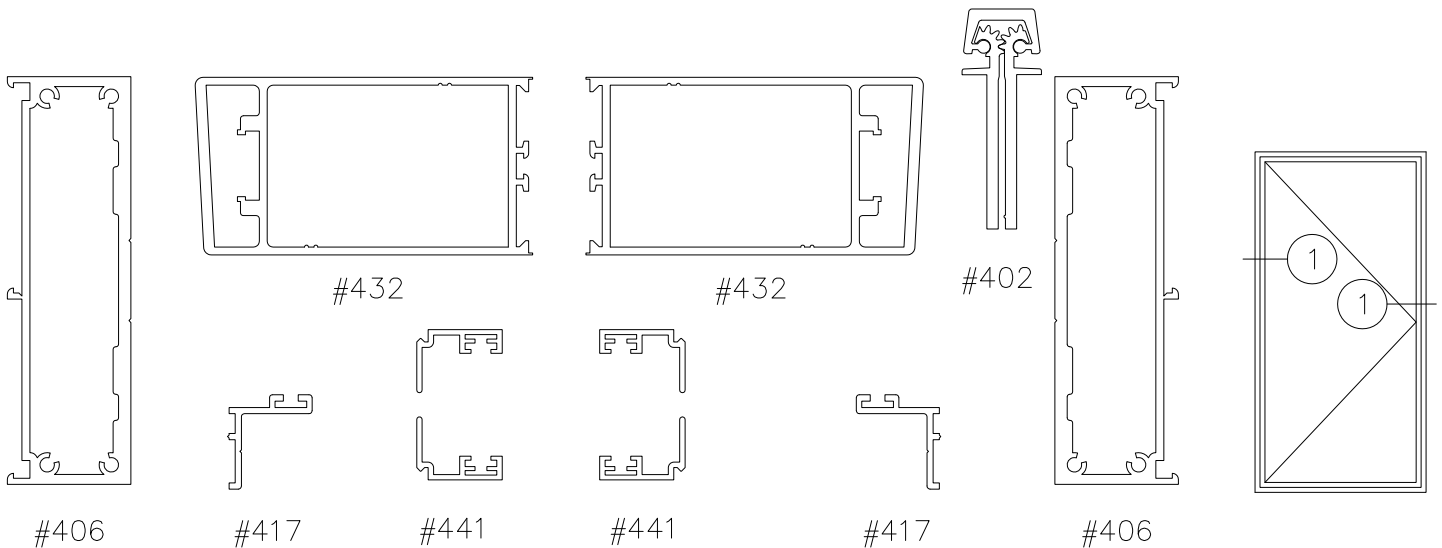
DATE:
 6/1/08

R:\DRAWINGS\BROPAGES\A-B\B2.B.DWG



① TYPICAL JAMB & DOOR STILE

EXTERIOR



HORIZONTAL SECTION THROUGH HINGE/LOCKSTILE
 OF SINGLE SWINGING DOOR
 SCALE: HALF SIZE