



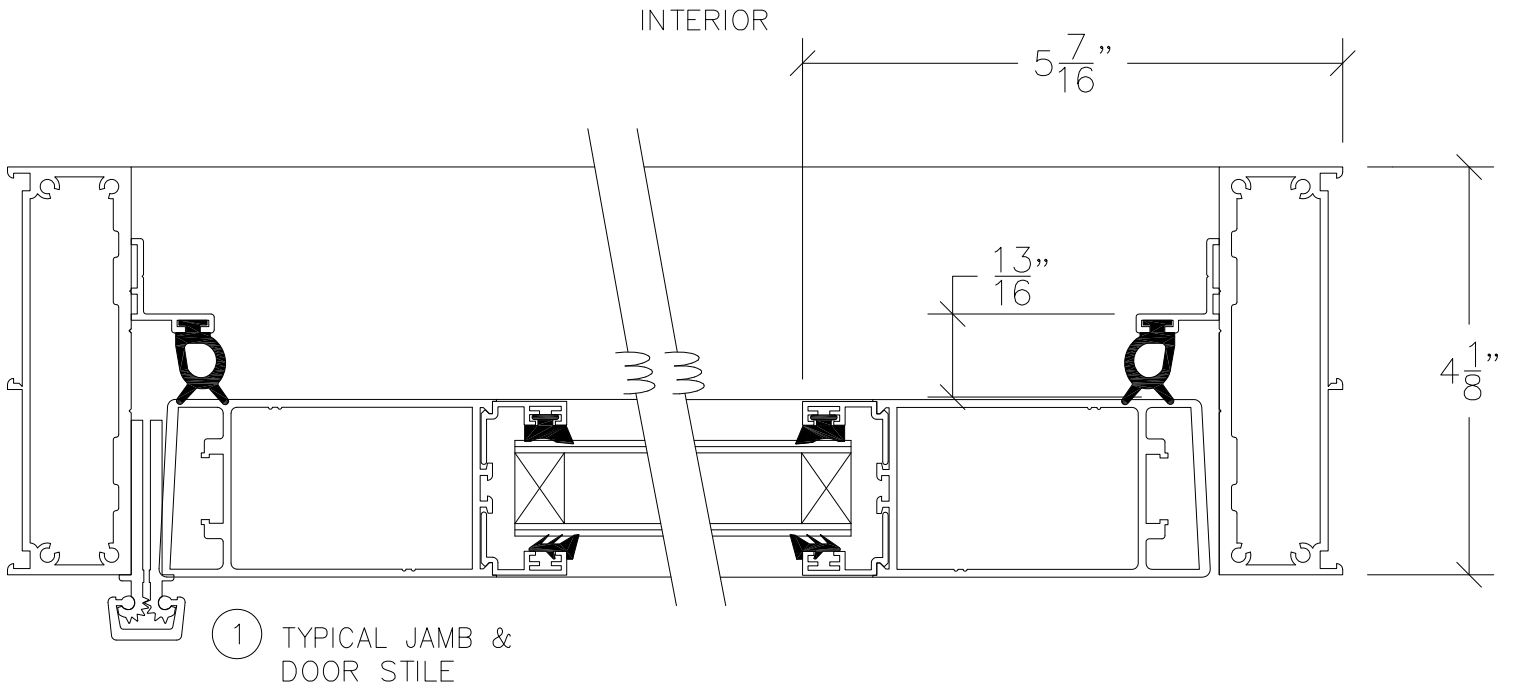
WINDOW SYSTEM
 SERIES 430 - SWINGING DOOR
 HINGE LEFT - SWING OUT

B2A

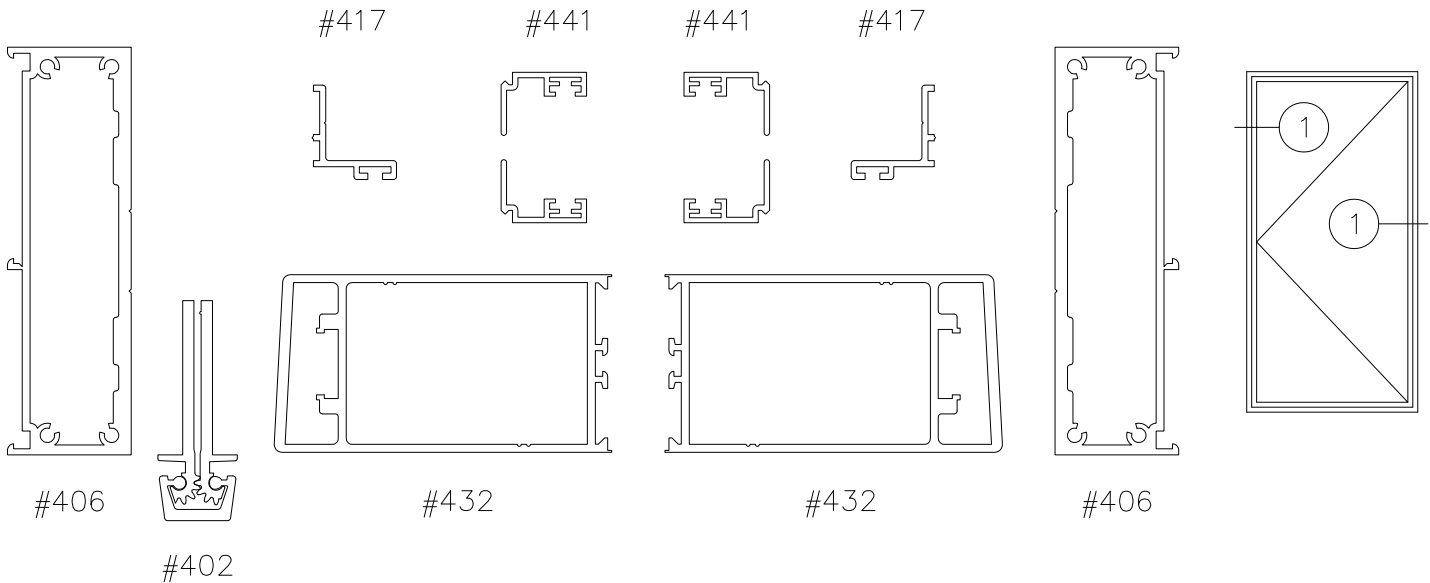
1503 W. San Pedro St., Gilbert, Arizona 85233
 VOICE: 480-892-2600 / FAX : 480-892-0951

DATE:
 6/1/08

R:\DRAWINGS\BROGPAGES\A-B\B2A.DWG



EXTERIOR



HORIZONTAL SECTION THROUGH HINGE/LOCKSTILE
 OF SINGLE SWINGING DOOR
 SCALE: HALF SIZE