



WINDOW SYSTEM

SERIES 400 - WINDOW WALL

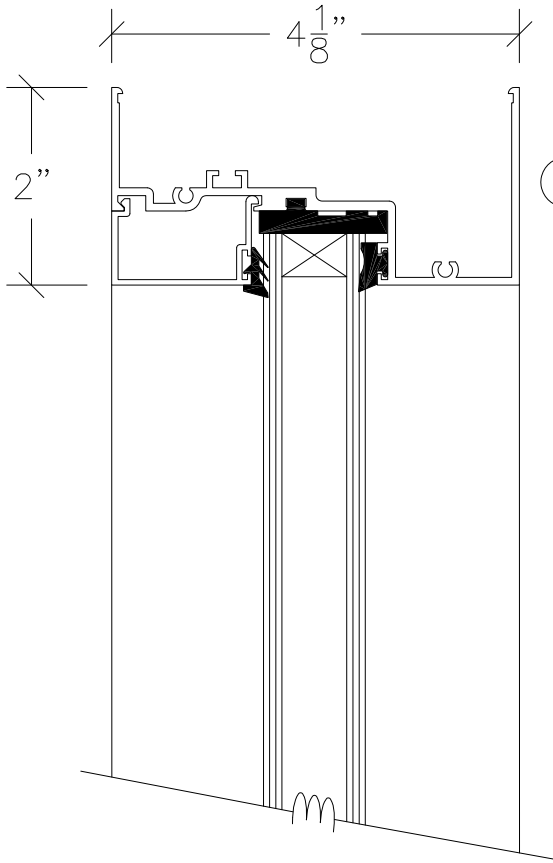
1503 W. San Pedro St., Gilbert, Arizona 85233

VOICE: 480-892-2600 / FAX : 480-892-0951

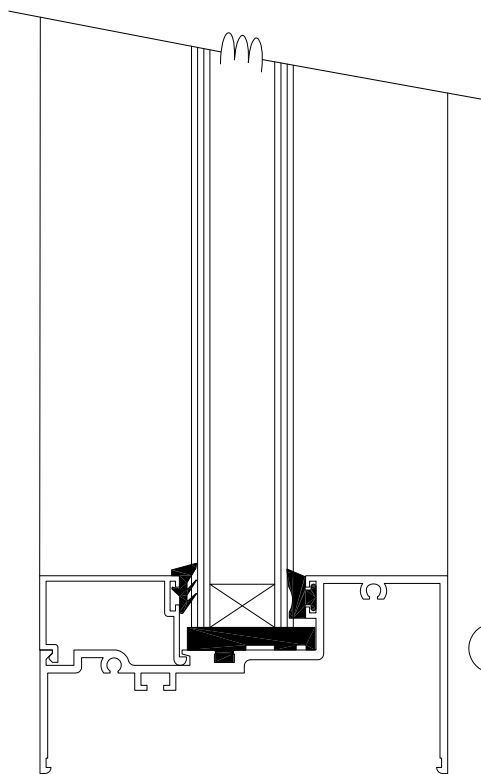
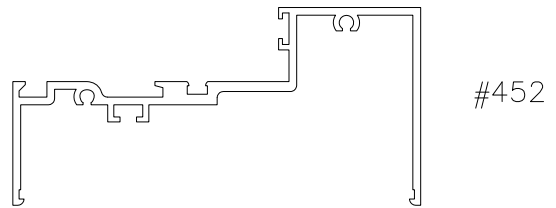
A9

DATE:
6/1/08

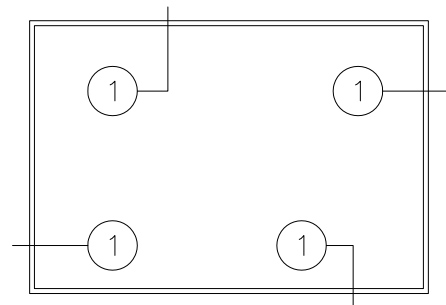
R:\DRAWINGS\BROGPAGES\A-B\A9.DWG



① TYPICAL PERIMETER FRAME



①



4 1/8" PERIMETER FRAME - DOUBLE GLAZED

SCALE: HALF SIZE