



WINDOW SYSTEM

SERIES 400 - WINDOW WALL

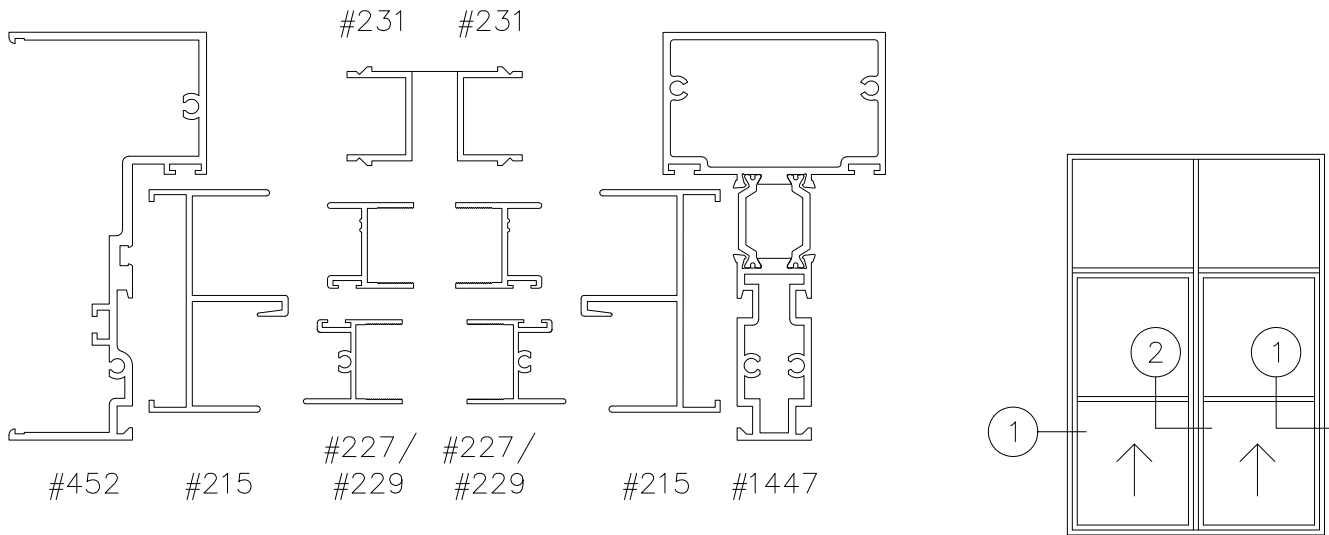
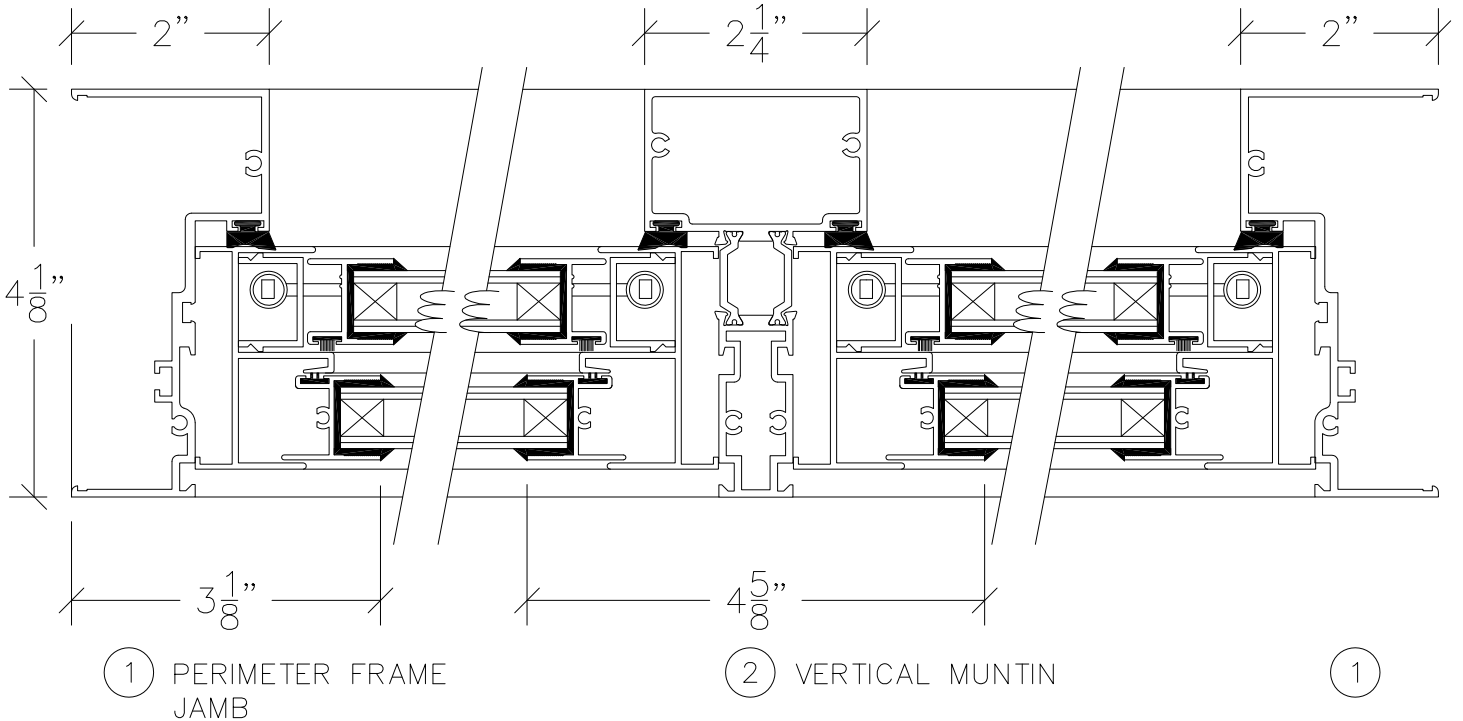
1503 W. San Pedro St., Gilbert, Arizona 85233

VOICE: 480-892-2600 / FAX : 480-892-0951

A8

DATE:
6/1/08

R:\DRAWINGS\BROGPAGES\A-B\A8.DWG



HORIZONTAL SECTION THROUGH 4 1/8" PERIMETER FRAME &
 STRUCTURAL MUNTIN W/ SINGLE HUNG INSERT
 DOUBLE GLAZED
 SCALE: HALF SIZE