



WINDOW SYSTEM

SERIES 400 - WINDOW WALL

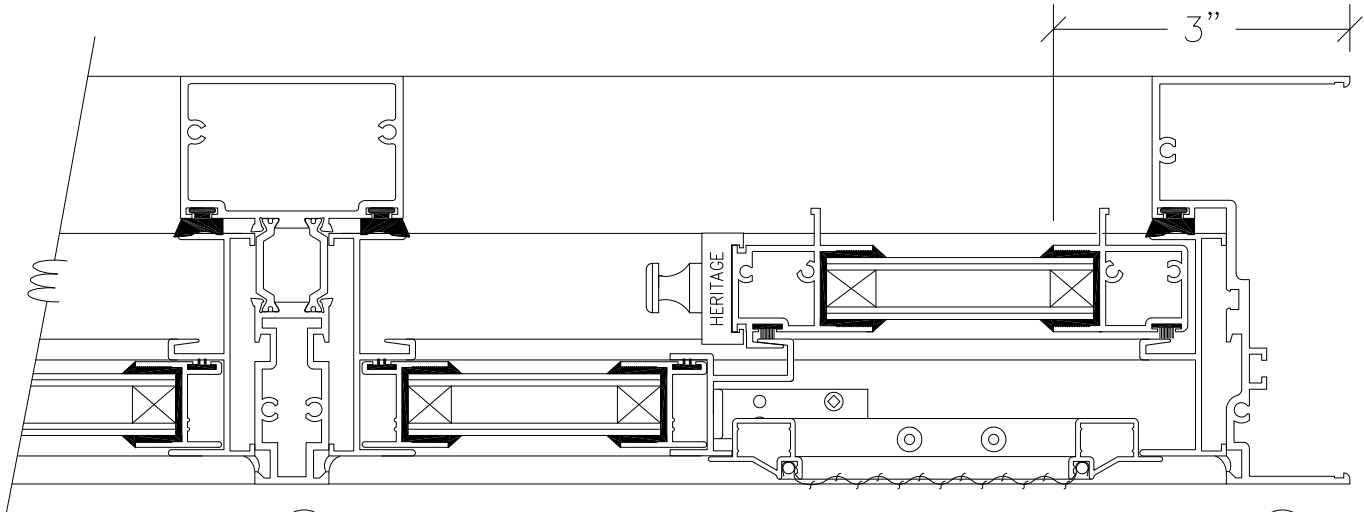
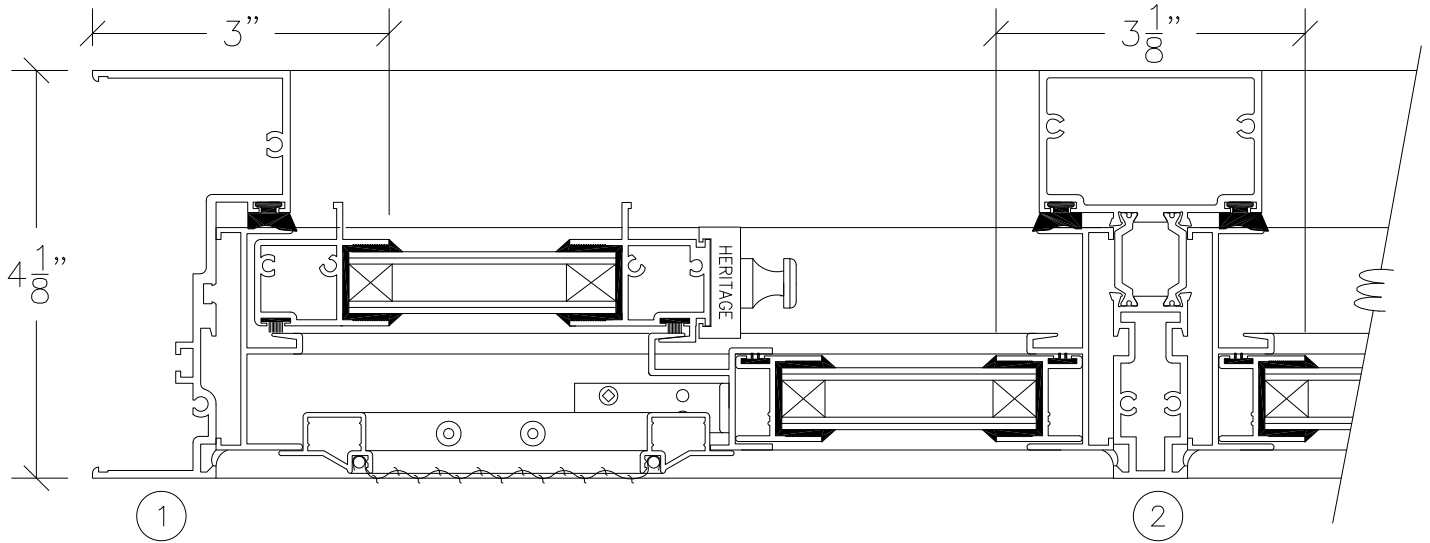
1503 W. San Pedro St., Gilbert, Arizona 85233

VOICE: 480-892-2600 / FAX : 480-892-0951

A6

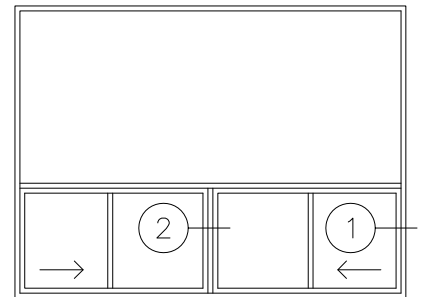
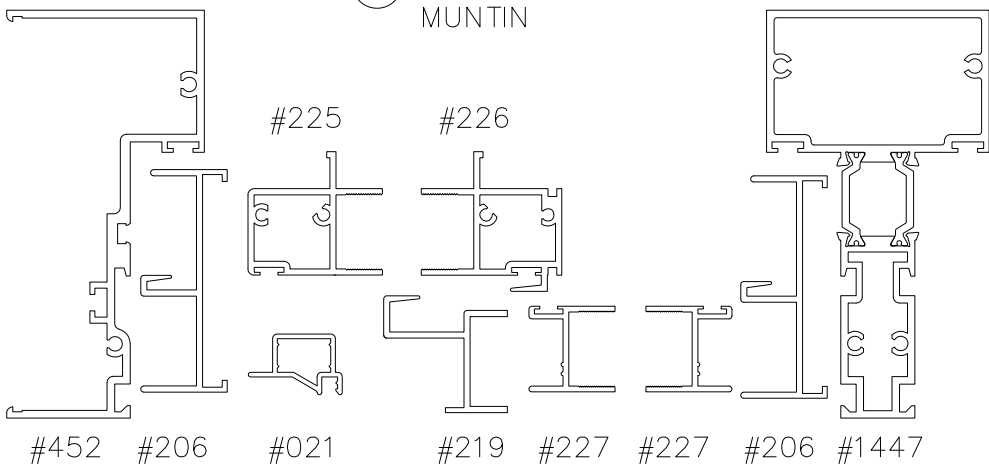
DATE:
6/1/08

R:\DRAWINGS\BROGPAGES\A-B\A6.DWG



2 VERTICAL MUNTIN

PERIMETER FRAME JAMB 1



HORIZONTAL SECTION THROUGH 4 1/8" PERIMETER FRAME & STRUCTURAL MUNTIN W/ HORIZONTAL SLIDER INSERT

DOUBLE GLAZED

SCALE: HALF SIZE