



# WINDOW SYSTEM

SERIES 400 - WINDOW WALL

1503 W. San Pedro St., Gilbert, Arizona 85233

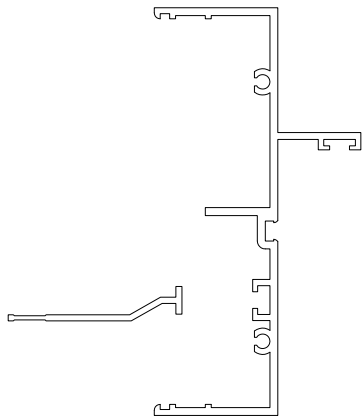
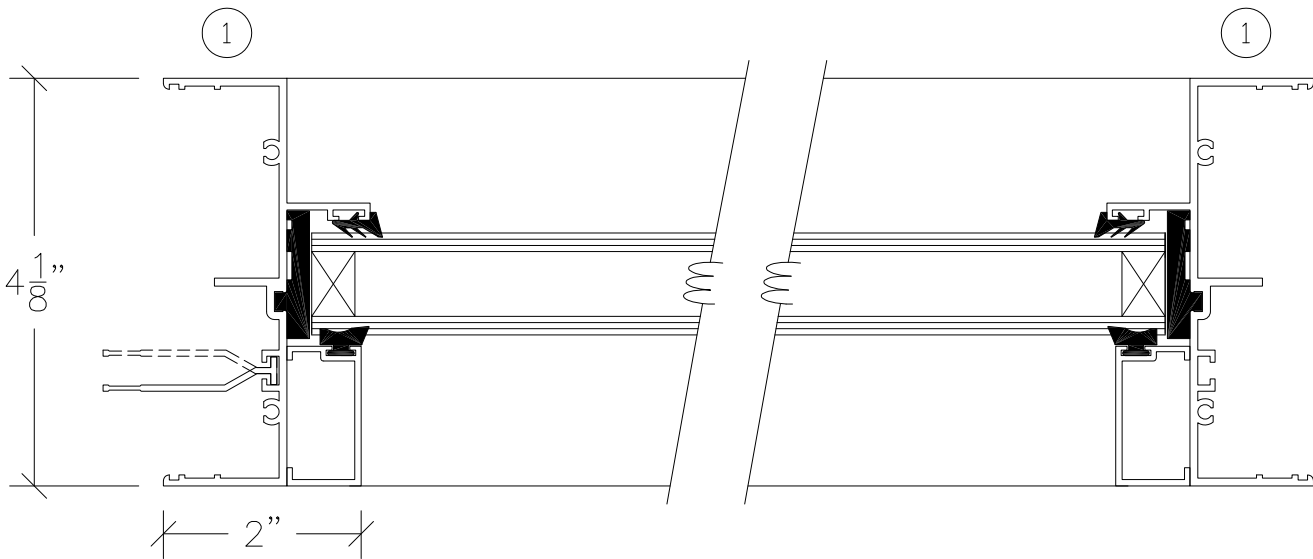
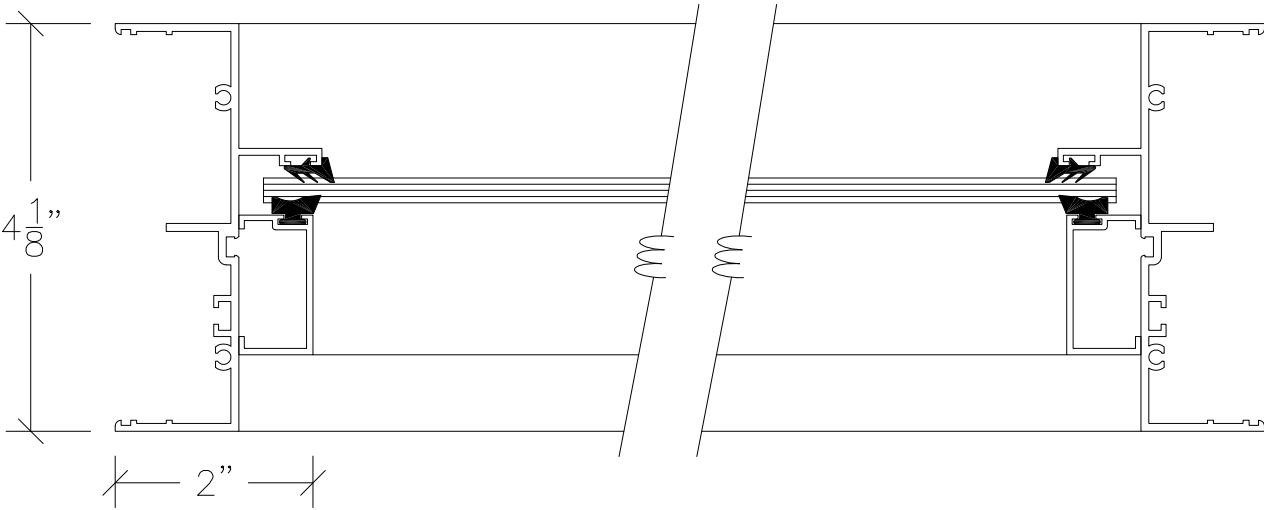
VOICE: 480-892-2600 / FAX : 480-892-0951

A4

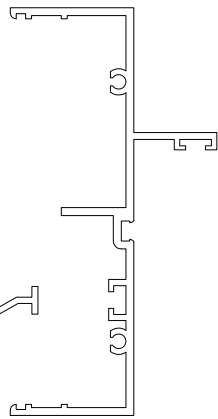
DATE:  
6/1/08

R:\DRAWINGS\BROGPAGES\A-B\A4.DWG

① TYPICAL PERIMETER FRAME



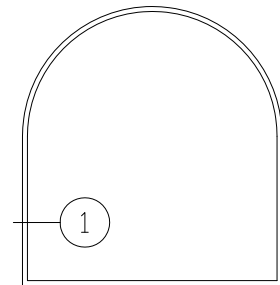
#404



#451



#413



①

4 1/8" HORIZONTAL BENT PERIMETER FRAME DETAIL  
SINGLE & DOUBLE GLAZED

SCALE: HALF SIZE