



# WINDOW SYSTEM

SERIES 400 - WINDOW WALL

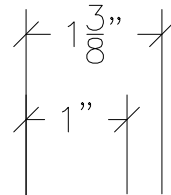
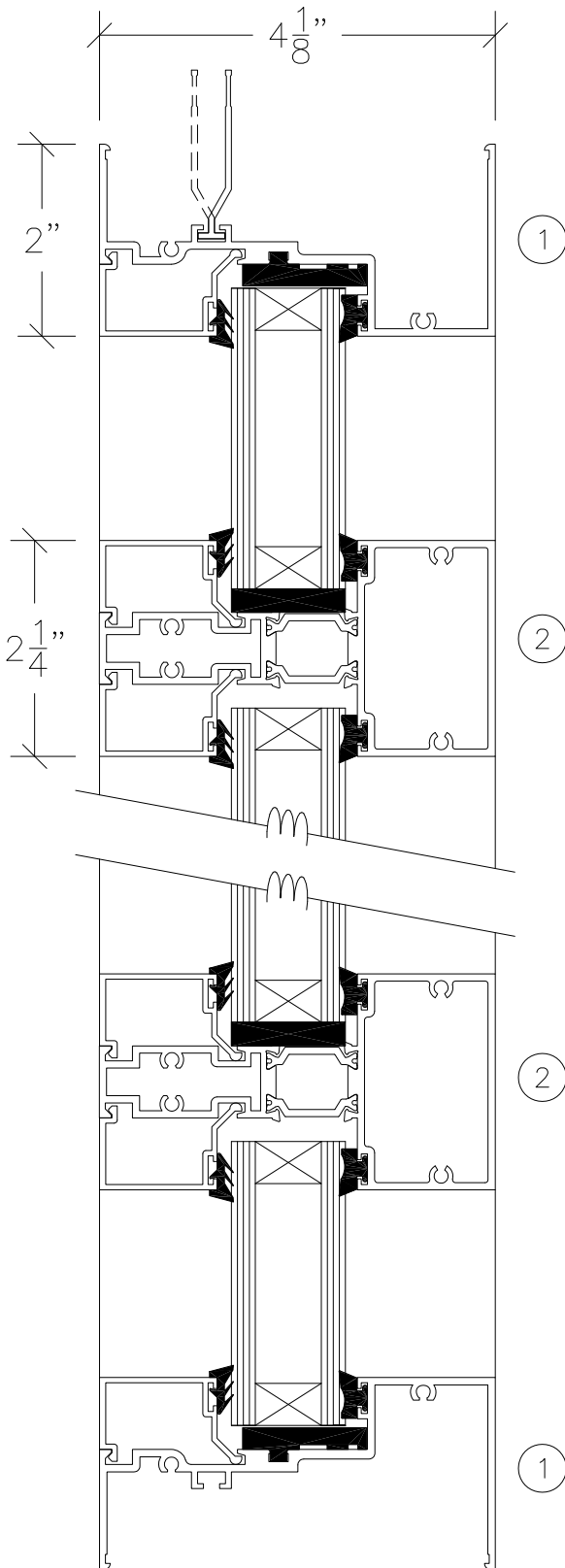
1503 W. San Pedro St., Gilbert, Arizona 85233

VOICE: 480-892-2600 / FAX : 480-892-0951

# A3

DATE:  
6/1/08

R:\DRAWINGS\BROGPAGES\A-B\A3.DWG



NW CONFIGURATION  
\*NU-WALL

NO CONFIGURATION  
\*NAIL-ON

#404

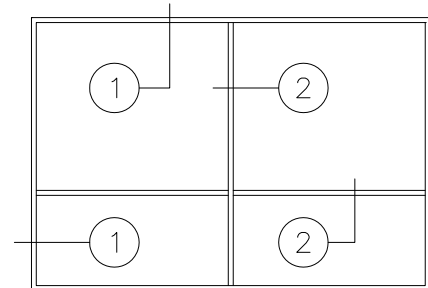
#452

#410

#1447

② VERTICAL /  
HORIZONTAL  
TUBULAR  
STEPPED MULLION

① TYPICAL PERIMETER  
FRAME



4 1/8" PERIMETER FRAME & MULLION DETAIL - DOUBLE GLAZED  
6mm GLASS W/ OFFSET STOPS FOR LARGE OPENINGS

SCALE: HALF SIZE