



WINDOW SYSTEM

SERIES 400 - WINDOW WALL

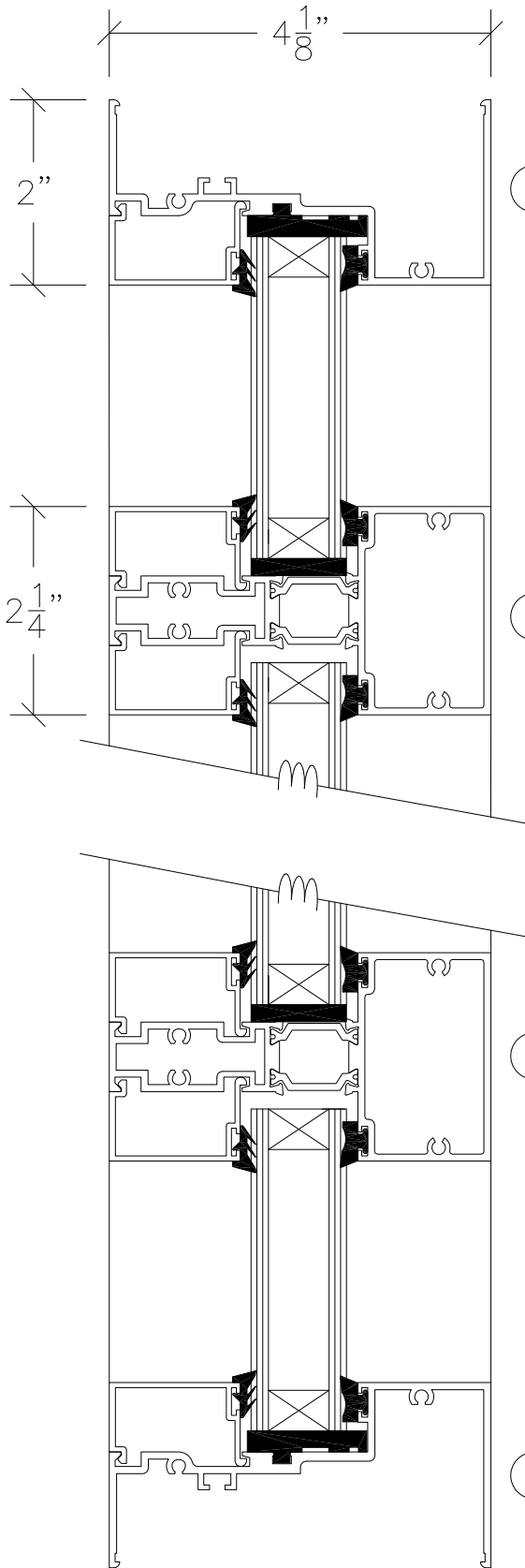
1503 W. San Pedro St., Gilbert, Arizona 85233

VOICE: 480-892-2600 / FAX : 480-892-0951

A2

DATE:
6/1/08

R:\DRAWINGS\BROGPAGES\A-B\A2.DWG

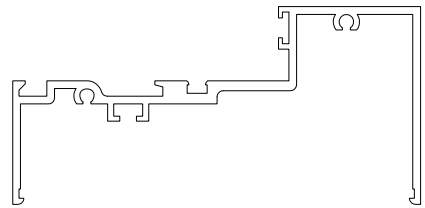


① TYPICAL PERIMETER FRAME

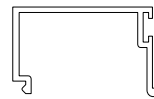
②

② VERTICAL / HORIZONTAL TUBULAR STEPPED MULLION

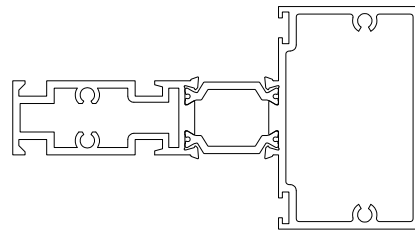
①



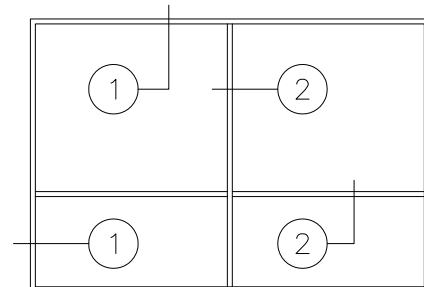
#452



#411



#1447



4 1/8" PERIMETER FRAME & MULLION DETAIL - DOUBLE GLAZED
SCALE: HALF SIZE