



WINDOW SYSTEM—INSTALLATION OPTIONS

SERIES 400 - WINDOW WALL

1503 W. San Pedro St., Gilbert, Arizona 85233

VOICE: 480-892-2600 / FAX : 480-892-0951

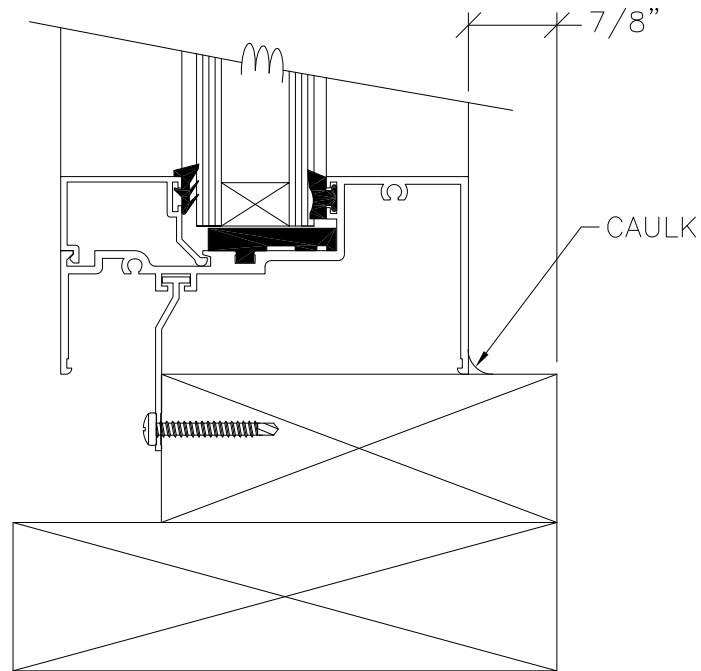
A12

DATE:
6/1/08

R:\DRAWINGS\BROPAGE\A-B\A12.DWG

OPTION #4

WHEN THE OPENING IS 2 X 6 FRAMING, BUCK THE OPENING WITH 2 X 4



OPTION #5

WHEN THE OPENING IS MASONRY, BUCK THE OPENING WITH 2 X 4

