



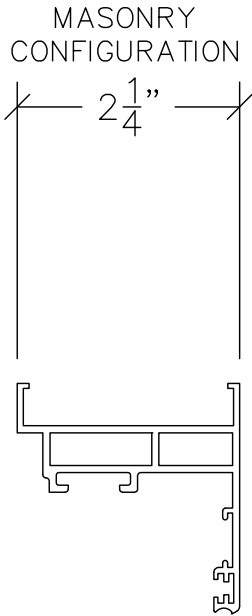
WINDOW SYSTEM
SERIES 900 - CASEMENT

K1

1503 W. San Pedro St., Gilbert, Arizona 85233
VOICE: 480-892-2600 / FAX : 480-892-0951

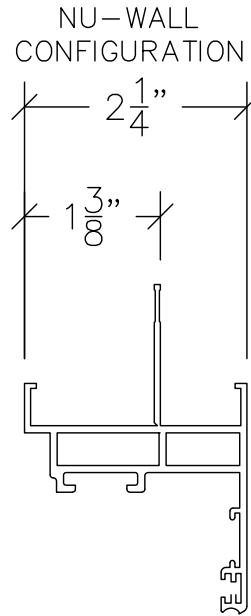
DATE:
6/1/08

R:\DRAWINGS\BROPAGE\K-1\K1.DWG



#501
HEAD/SILL/JAMB

MASONRY USED
IN BLOCK CONSTRUCTION
AND FOR MULL / STACK
APPLICATIONS



#501
HEAD/SILL/JAMB

1 3/8" FIN SET BACK
FOR 1" FOAM &
3/8" STUCCO

HERITAGE CASEMENT WINDOWS CAN BE MARRIED TO ALL PRODUCTS IN THE HERITAGE LINE FOR A VERY WIDE VARIETY OF MULL / STACK OPTIONS. THEY CAN BE INSERTED INTO WINDOW WALL (SERIES 400) PRODUCTS. HERITAGE CASEMENT WINDOWS USE SPECIAL EXPOSED HINGES AND SCREEN ATTACHMENT HARDWARE. A REVERSIBLE NAILING FIN IS USED TO ACHIEVE EITHER A 15/16" OR 1 3/8" FIN SET BACK WITH A SINGLE PERIMETER FRAME EXTRUSION. A SCREW APPLIED STOP ALLOWS THE USE OF DOUBLE GLAZED UP TO 1 1/16" OVER ALL.



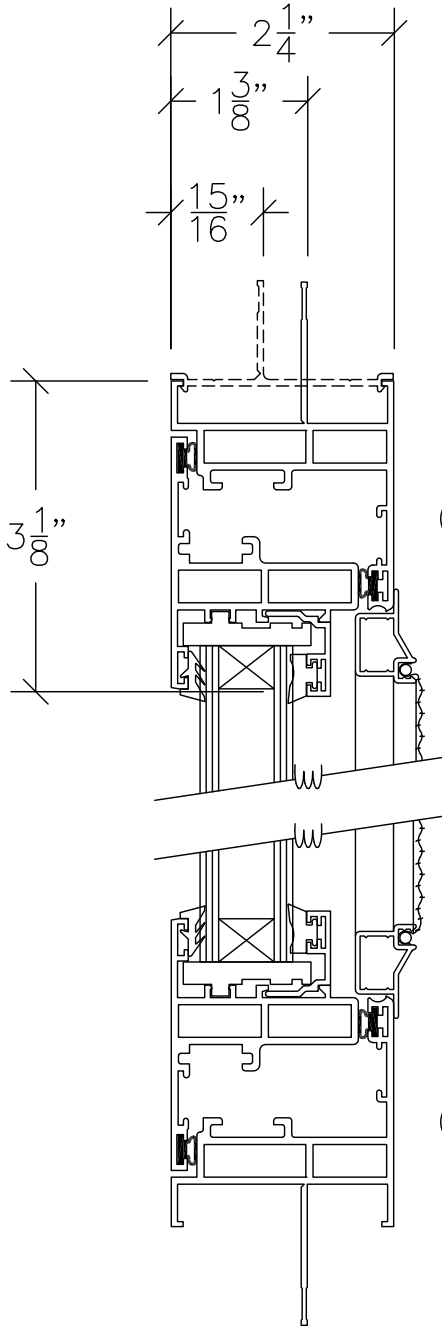
WINDOW SYSTEM
SERIES 900 - CASEMENT

1503 W. San Pedro St., Gilbert, Arizona 85233
VOICE: 480-892-2600 / FAX : 480-892-0951

K2

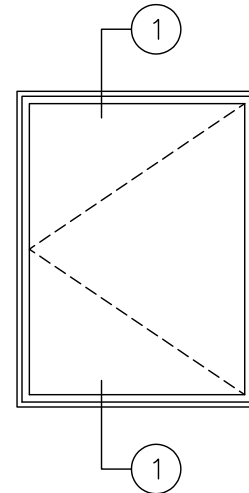
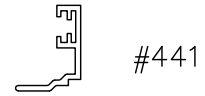
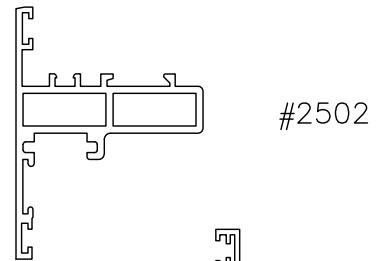
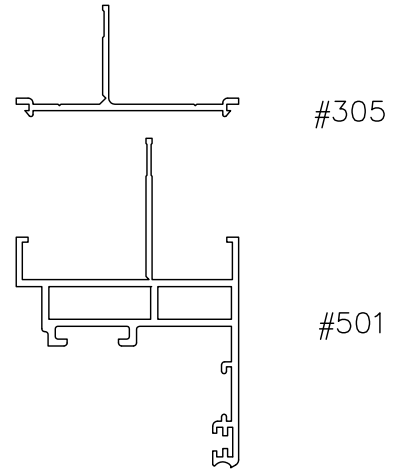
DATE:
6/12/13

R:\DRAWINGS\BROGPAGES\K-1\K2.DWG



① TYPICAL PERIMETER
FRAME & LEAF

① TYPICAL PERIMETER
FRAME & LEAF



VERTICAL SECTION THROUGH CASEMENT WINDOW
DOUBLE GLAZED
SCALE: HALF SIZE



WINDOW SYSTEM
SERIES 900 - CASEMENT

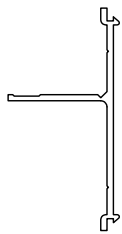
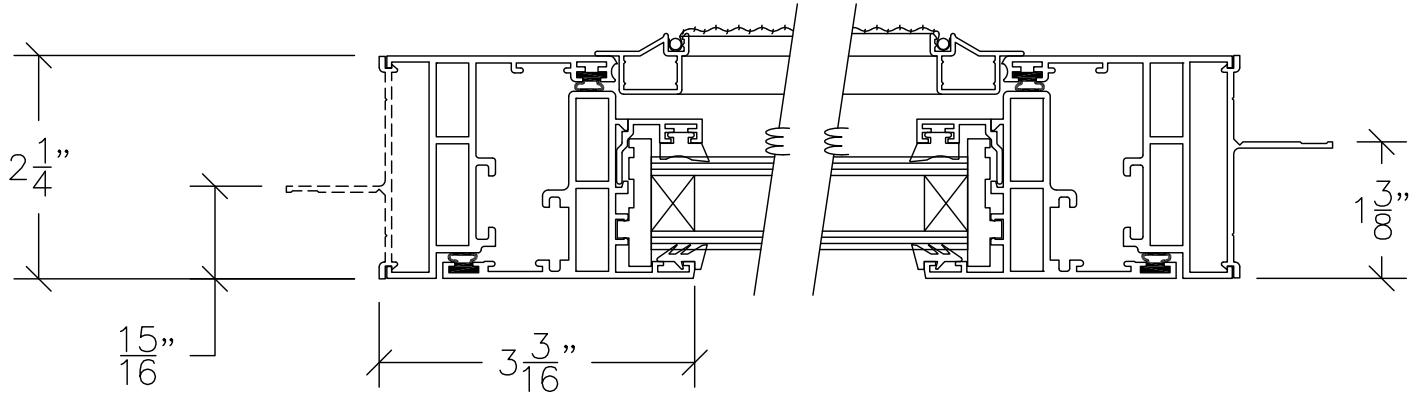
1503 W. San Pedro St., Gilbert, Arizona 85233
VOICE: 480-892-2600 / FAX : 480-892-0951

K3

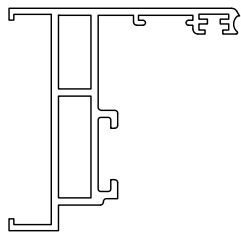
DATE:
6/12/13

R:\DRAWINGS\BROGPAGES\K-1\K3.DWG

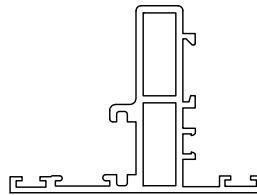
① TYPICAL PERIMETER
FRAME & LEAF



#305



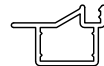
#501



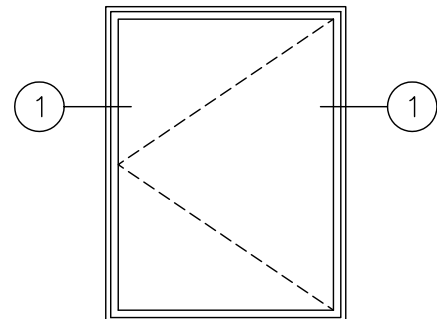
#2502



#441



#021



HORIZONTAL SECTION THROUGH CASEMENT WINDOW
DOUBLE GLAZED
SCALE: HALF SIZE



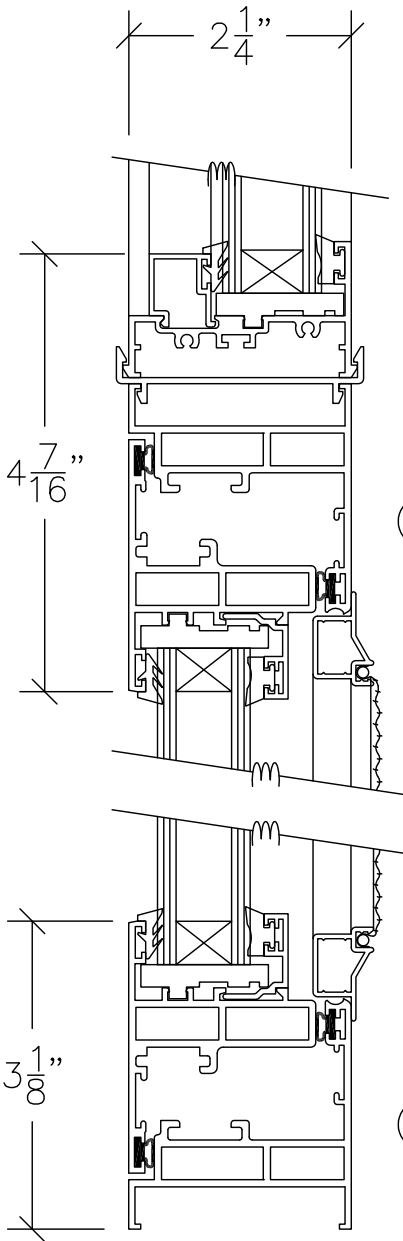
WINDOW SYSTEM
SERIES 900 - CASEMENT

1503 W. San Pedro St., Gilbert, Arizona 85233
VOICE: 480-892-2600 / FAX : 480-892-0951

K4

DATE:
6/12/13

R:\DRAWINGS\BROGAGES\K-1\K4.DWG

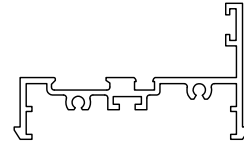


① ROUND TOP SILL &
CASEMENT PERIMETER
FRAME HEAD

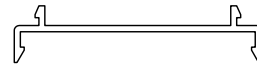
① TYPICAL PERIMETER
FRAME & LEAF



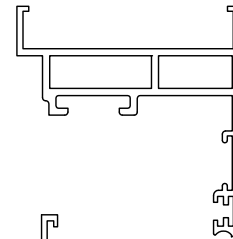
#426



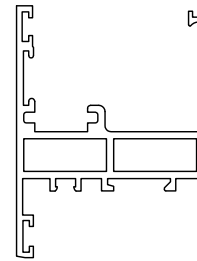
#2293



#234



#501



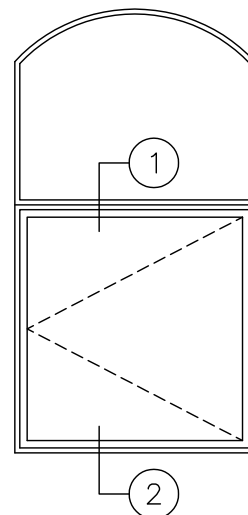
#2502



#441



#021



VERTICAL SECTION THROUGH CASEMENT / ROUND TOP STACK
DOUBLE GLAZED
SCALE: HALF SIZE



WINDOW SYSTEM
SERIES 900 - CASEMENT

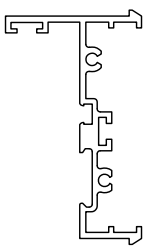
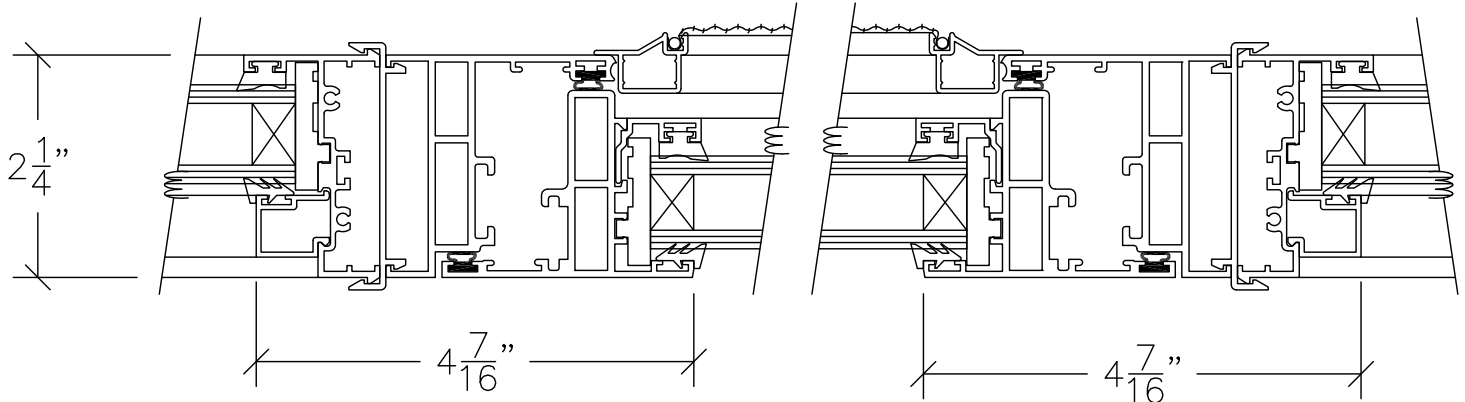
1503 W. San Pedro St., Gilbert, Arizona 85233
VOICE: 480-892-2600 / FAX : 480-892-0951

K5

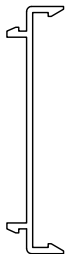
DATE:
6/12/13

R:\DRAWINGS\BROGPAGES\K-1\K5.DWG

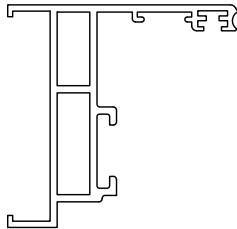
① FIXED FRAME JAMB &
CASEMENT PERIMETER
FRAME JAMB



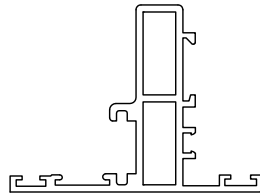
#2293



#234



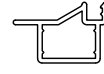
#501



#2502



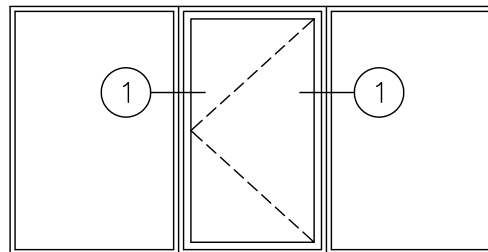
#441



#021



#426



HORIZONTAL SECTION THROUGH CASEMENT / FIXED FRAME MULL
DOUBLE GLAZED
SCALE: HALF SIZE



WINDOW SYSTEM
SERIES 900 - CASEMENT

1503 W. San Pedro St., Gilbert, Arizona 85233
VOICE: 480-892-2600 / FAX : 480-892-0951

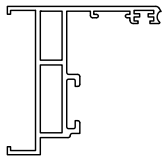
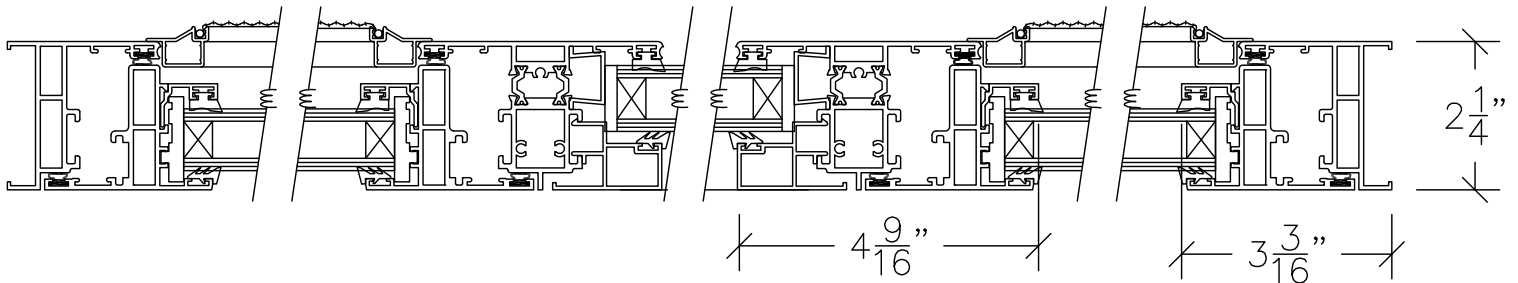
K6

DATE:
6/12/13

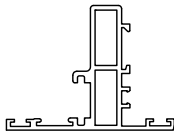
R:\DRAWINGS\BROGPAGES\K-1\K6.DWG

① CASEMENT PERIMETER
FRAME JAMB

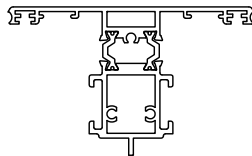
② FIXED FRAME



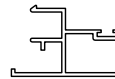
#501



#2502



#1554



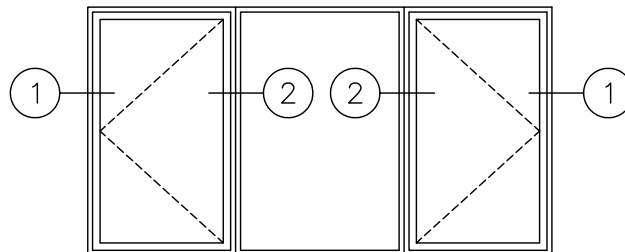
#506



#441



#021



HORIZONTAL SECTION THROUGH CASEMENT, FIXED FRAME
WITH COMMON HEAD, SILL AND JAMBS, DOUBLE GLAZED



WINDOW SYSTEM
SERIES 900 - CASEMENT

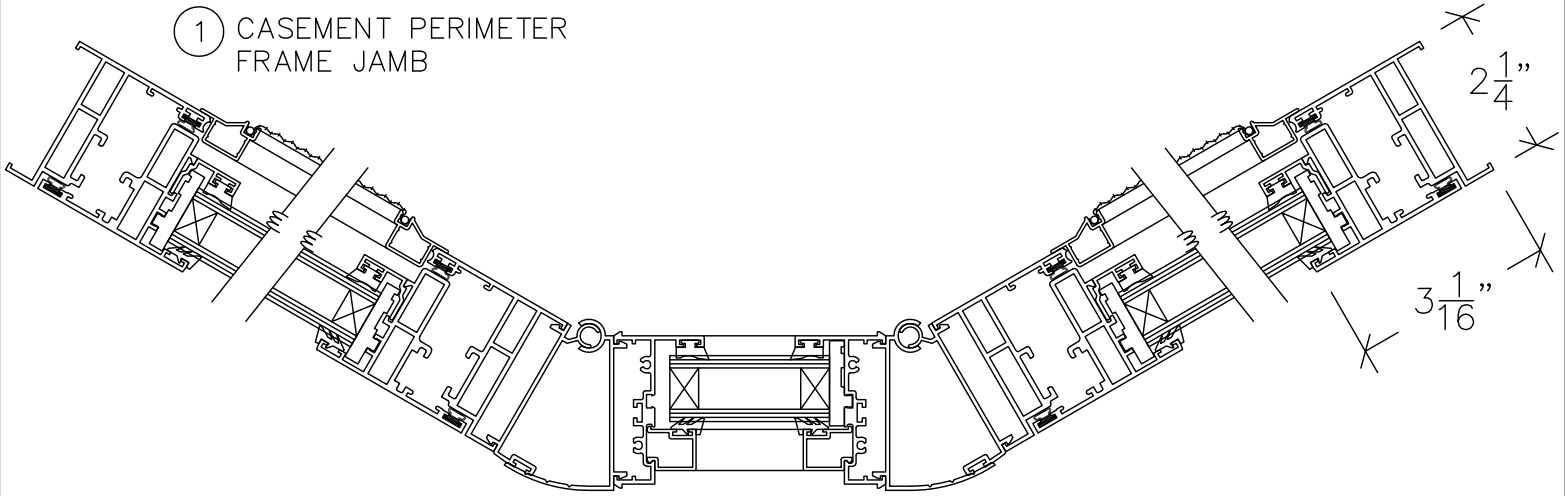
1503 W. San Pedro St., Gilbert, Arizona 85233
VOICE: 480-892-2600 / FAX : 480-892-0951

K7

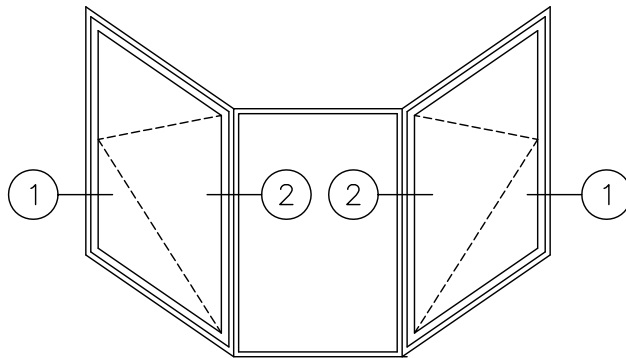
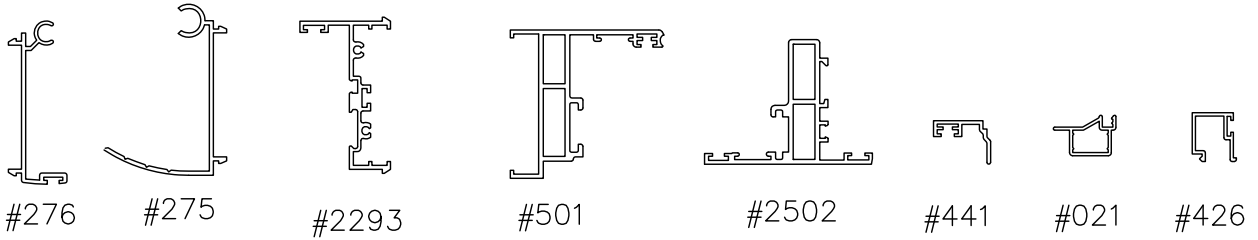
DATE:
6/12/13

R:\DRAWINGS\BROPAGES\K-L\K7.DWG

① CASEMENT PERIMETER
FRAME JAMB



② FIXED FRAME JAMB



HORIZONTAL SECTION THROUGH CASEMENT / FIXED FRAME MULL
DOUBLE GLAZED



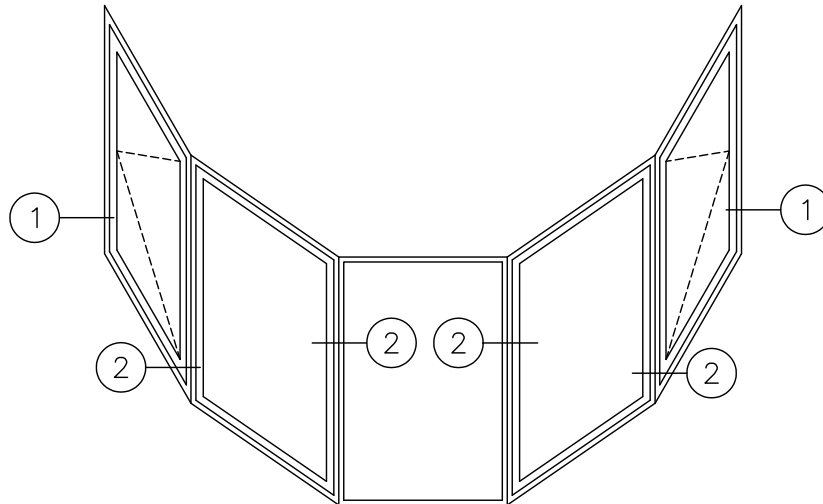
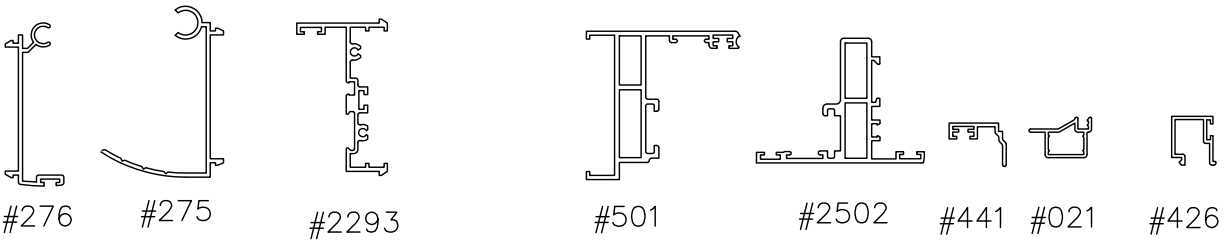
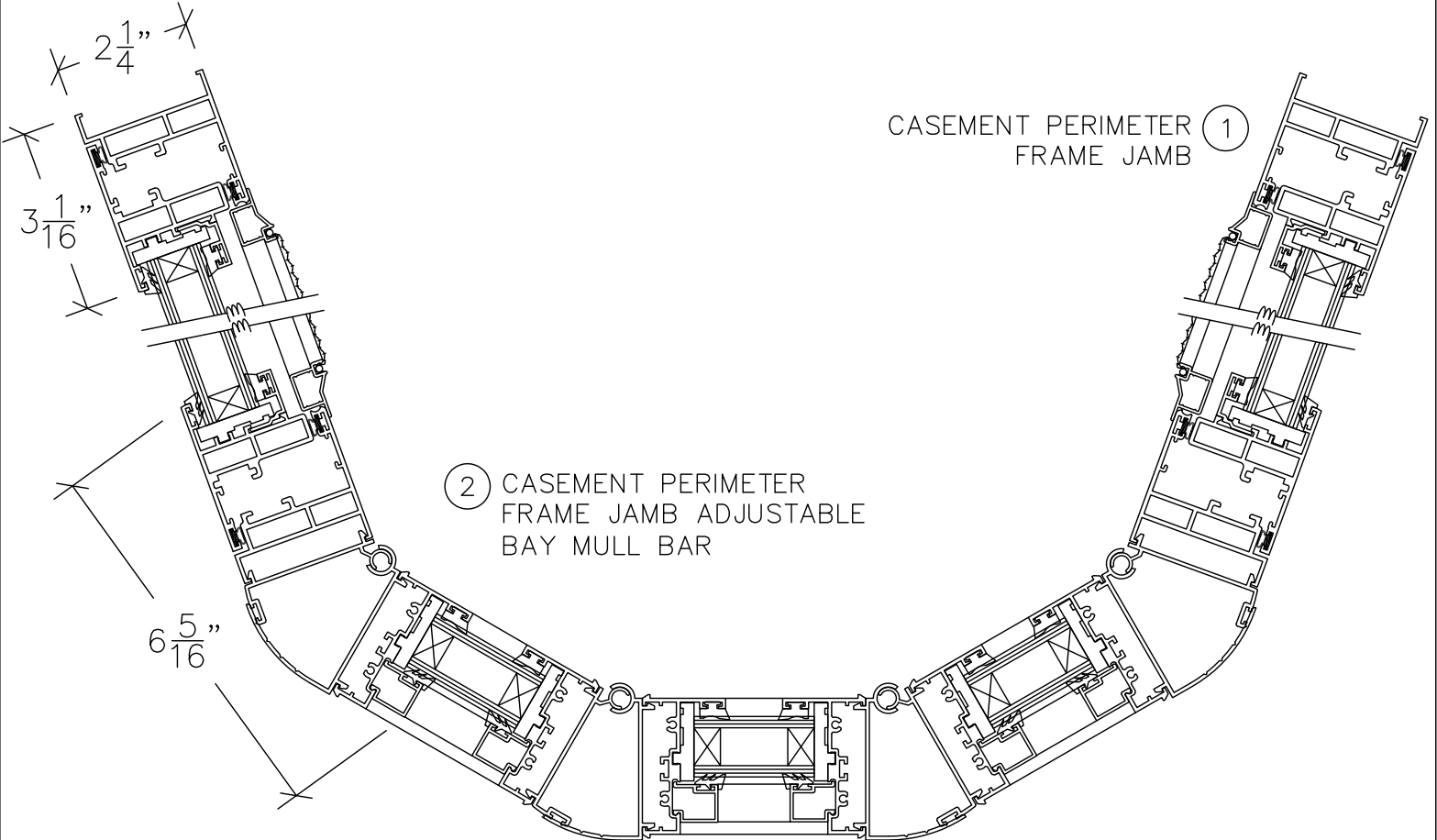
WINDOW SYSTEM
SERIES 900 - CASEMENT

1503 W. San Pedro St., Gilbert, Arizona 85233
VOICE: 480-892-2600 / FAX : 480-892-0951

K8

DATE:
6/12/13

R:\DRAWINGS\BROGPAGES\K-1\K8.DWG



HORIZONTAL SECTION THROUGH CASEMENT / FIXED FRAME MULL DOUBLE GLAZED



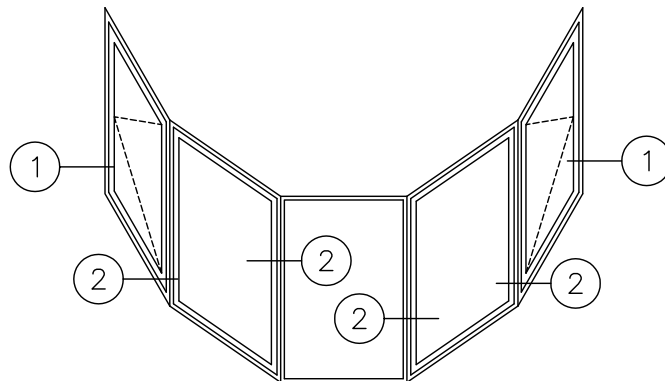
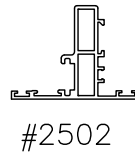
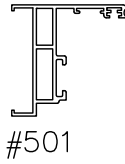
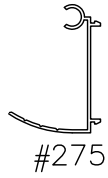
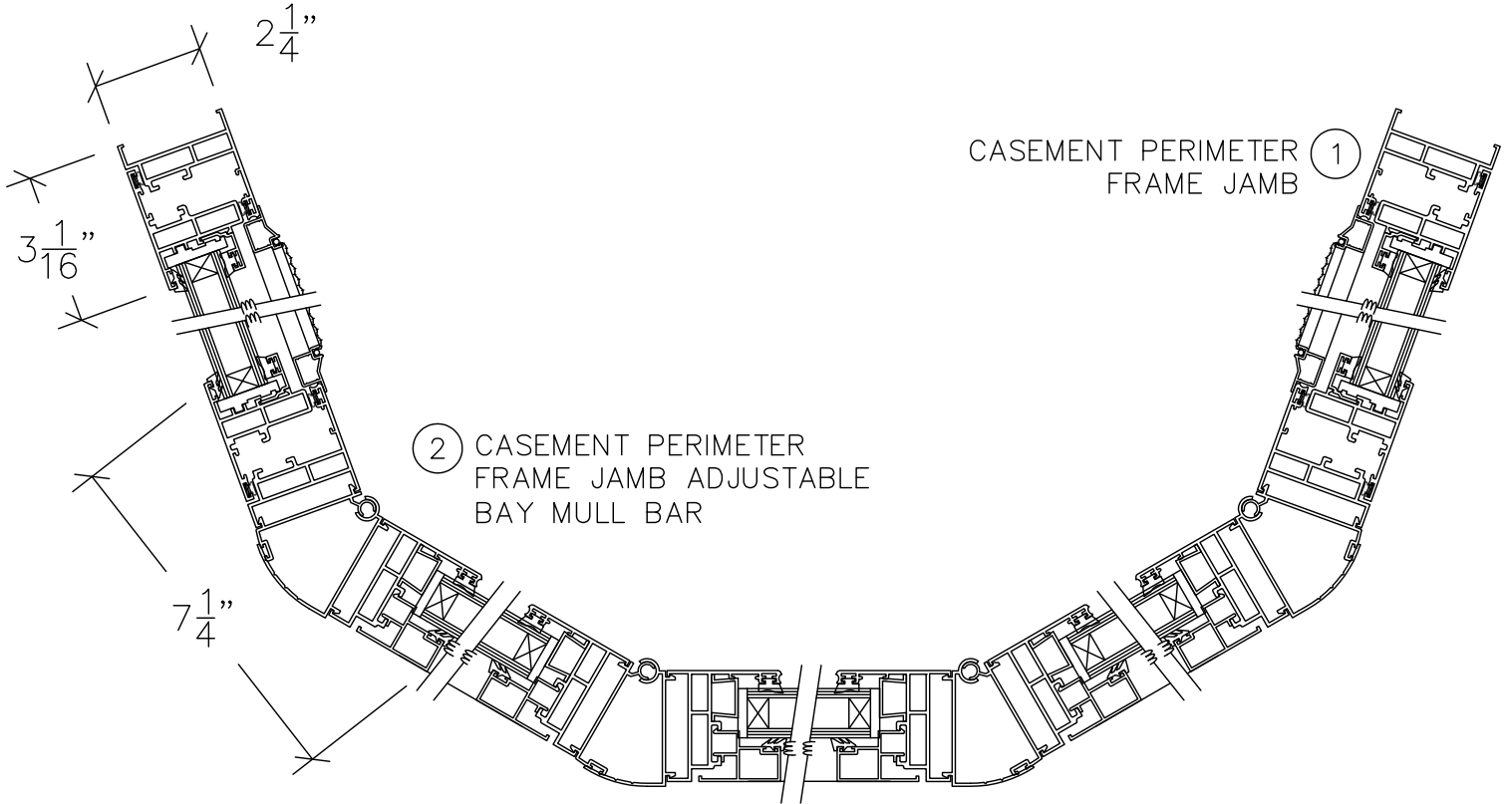
WINDOW SYSTEM
SERIES 900 - CASEMENT

1503 W. San Pedro St., Gilbert, Arizona 85233
VOICE: 480-892-2600 / FAX : 480-892-0951

K9

DATE:
6/12/13

R:\DRAWINGS\BROGPAGES\K-1\K9.DWG



HORIZONTAL SECTION THROUGH CASEMENT / CASEMENT FIXED FRAME MULL DOUBLE GLAZED