



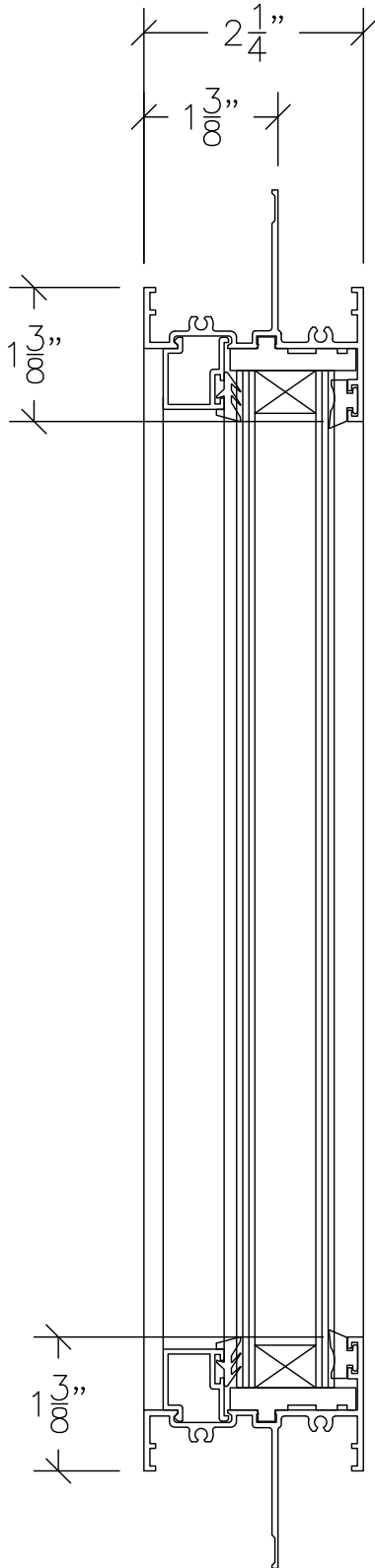
WINDOW SYSTEM
SERIES 511 - FIXED WINDOW

1503 W. San Pedro St., Gilbert, Arizona 85233
VOICE: 480-892-2600 / FAX : 480-892-0951

I 1

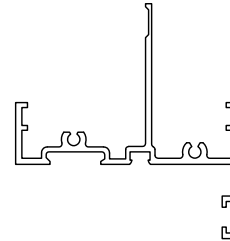
DATE:
6/1/08

R:\DRAWINGS\BROGPAGES\1-1\1.DWG



1 TYPICAL PERIMETER FRAME

1 TYPICAL PERIMETER FRAME



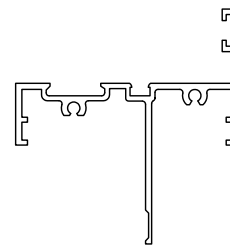
#2274



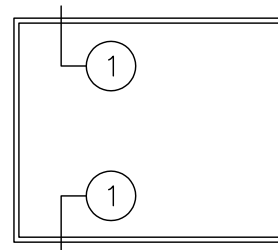
#426



#426



#2274



VERTICAL SECTION THROUGH FIXED WINDOW
DOUBLE GLAZED
SCALE: HALF SIZE



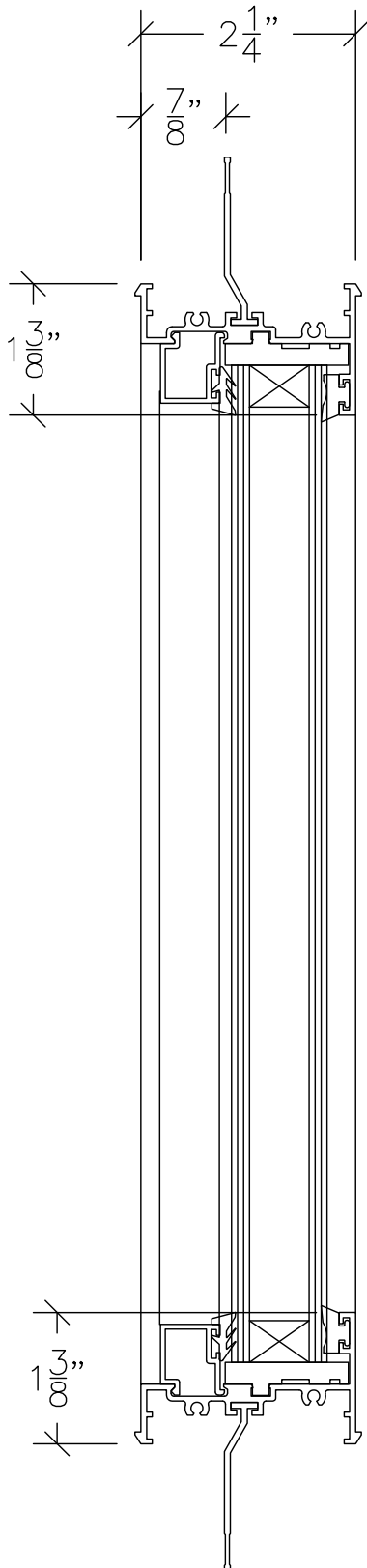
WINDOW SYSTEM
SERIES 511 - FIXED WINDOW

1503 W. San Pedro St., Gilbert, Arizona 85233
VOICE: 480-892-2600 / FAX : 480-892-0951

I1A

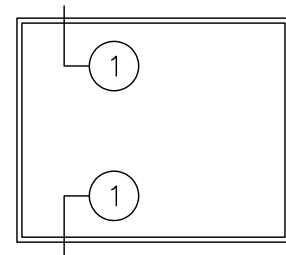
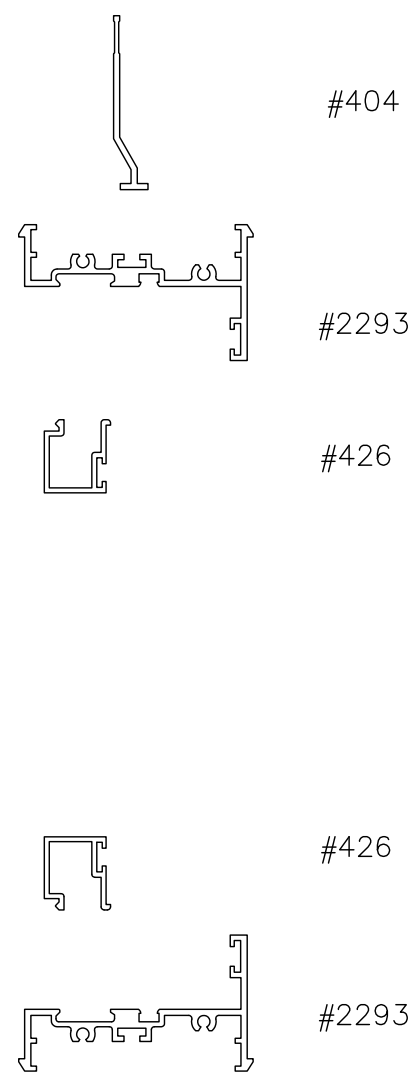
DATE:
6/1/08

R:\DRAWINGS\BROGPAGES\I-1\I1A.DWG



① TYPICAL PERIMETER FRAME

① TYPICAL PERIMETER FRAME



VERTICAL SECTION THROUGH FIXED WINDOW
DOUBLE GLAZED
SCALE: HALF SIZE



WINDOW SYSTEM – RESIDENTIAL

SERIES 511 – FIXED WINDOW

1503 W. San Pedro St., Gilbert, Arizona 85233

VOICE: 480-892-2600 / FAX : 480-892-0951

I2

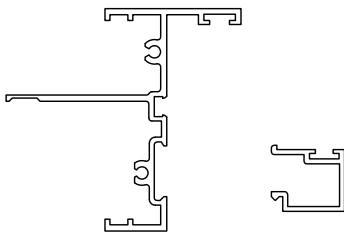
DATE:
6/1/08

R:\DRAWINGS\BROGPAGES\I-1\I2.DWG



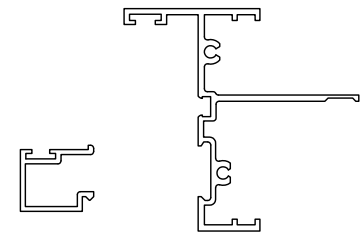
① TYPICAL PERIMETER FRAME

TYPICAL PERIMETER ① FRAME



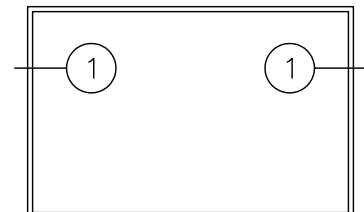
#2274

#426



#426

#2274



HORIZONTAL SECTION THROUGH FIXED WINDOW
DOUBLE GLAZED

SCALE: HALF SIZE



WINDOW SYSTEM – RESIDENTIAL

SERIES 511 – FIXED WINDOW

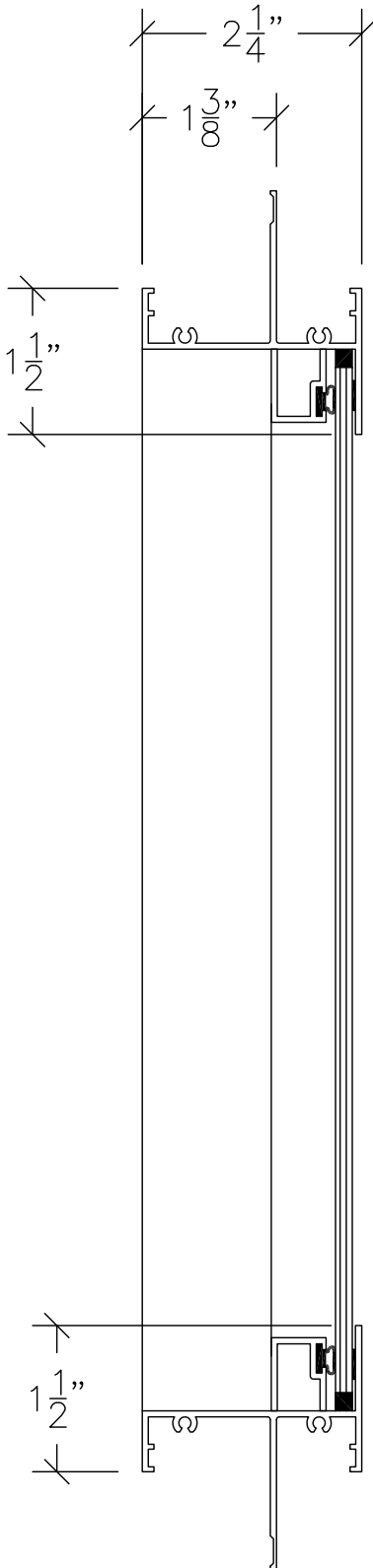
1503 W. San Pedro St., Gilbert, Arizona 85233

VOICE: 480-892-2600 / FAX : 480-892-0951

I3

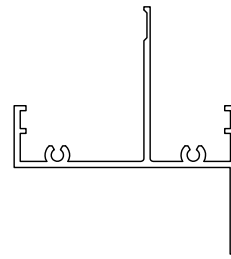
DATE:
6/1/08

R:\DRAWINGS\BROPAGE\I-3.DWG



① TYPICAL PERIMETER FRAME

① TYPICAL PERIMETER FRAME



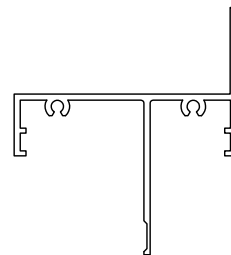
#274



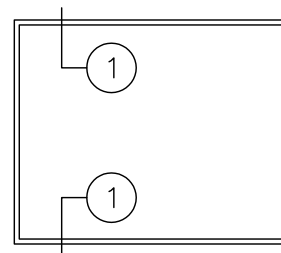
#238



#238



#274



VERTICAL SECTION THROUGH FIXED WINDOW
SINGLE GLAZED
SCALE: HALF SIZE



WINDOW SYSTEM – RESIDENTIAL

SERIES 511 – FIXED WINDOW

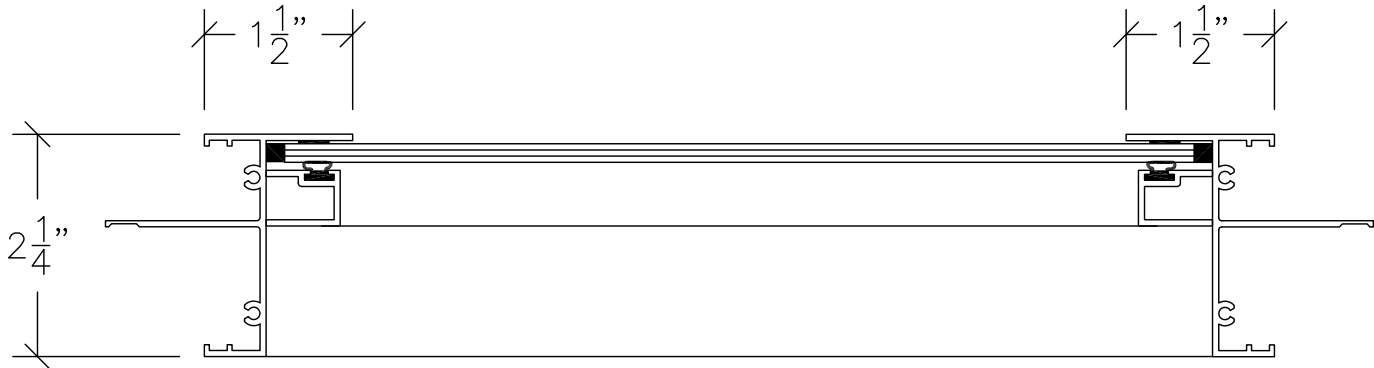
1503 W. San Pedro St., Gilbert, Arizona 85233

VOICE: 480-892-2600 / FAX : 480-892-0951

I 4

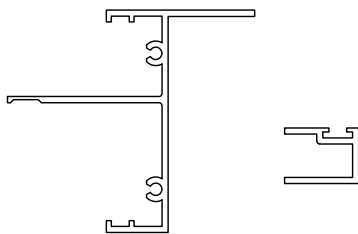
DATE:
6/1/08

R:\DRAWINGS\BROGPAGES\1-14.DWG



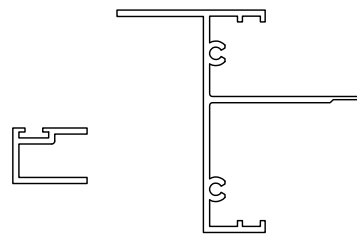
① TYPICAL PERIMETER FRAME

TYPICAL PERIMETER ① FRAME



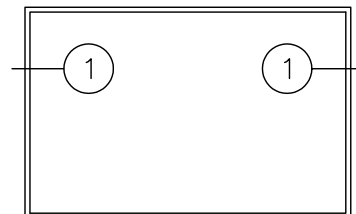
#274

#238



#238

#274



HORIZONTAL SECTION THROUGH FIXED WINDOW
SINGLE GLAZED

SCALE: HALF SIZE



WINDOW SYSTEM – RESIDENTIAL

SERIES 511 – FIXED WINDOW

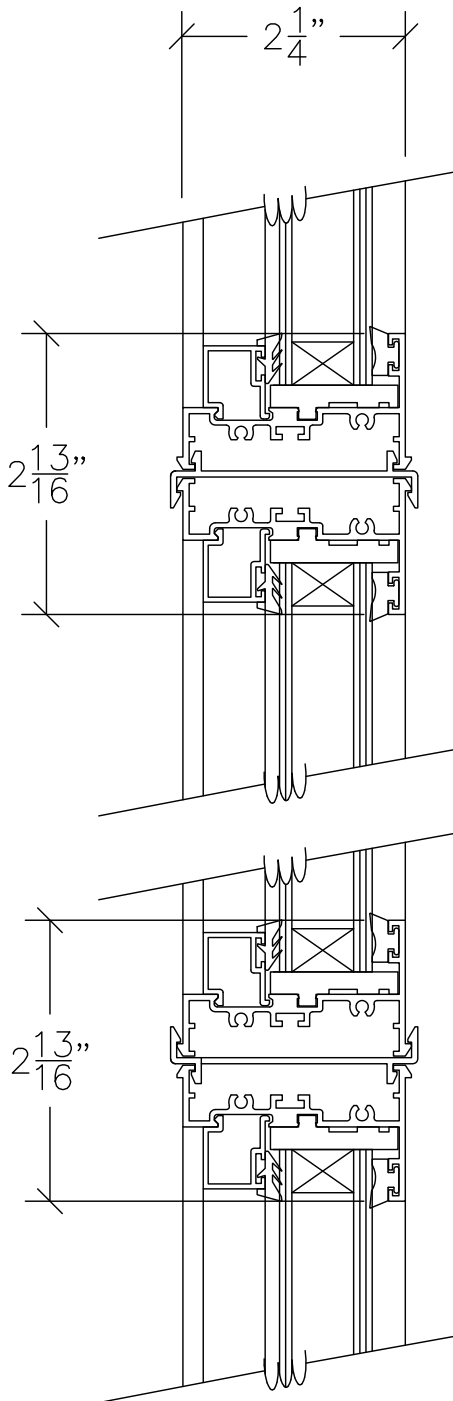
1503 W. San Pedro St., Gilbert, Arizona 85233

VOICE: 480-892-2600 / FAX : 480-892-0951

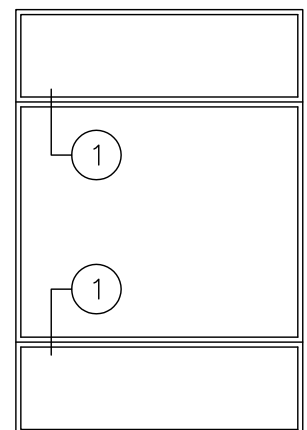
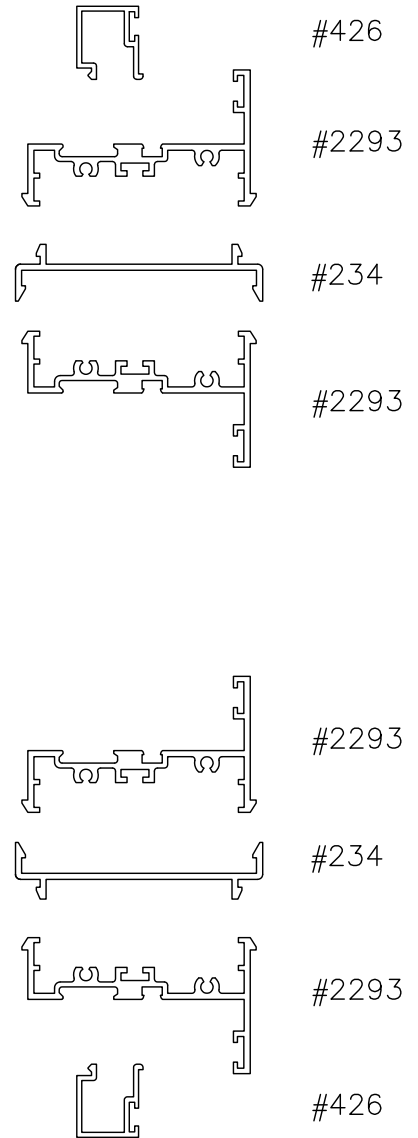
I5

DATE:
6/1/08

R:\DRAWINGS\BROGPAGES\I-15.DWG



① FIXED FRAME PERIMETERS
@ STACK



VERTICAL SECTION THROUGH FIXED FRAME @ STACK
DOUBLE GLAZED
SCALE: HALF SIZE



WINDOW SYSTEM – RESIDENTIAL

SERIES 511 – FIXED WINDOW

1503 W. San Pedro St., Gilbert, Arizona 85233

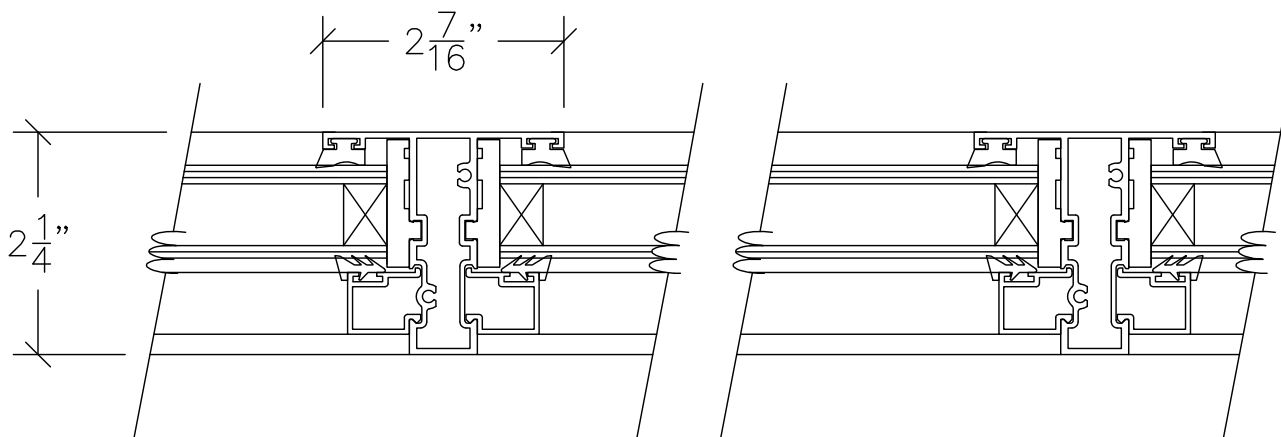
VOICE: 480-892-2600 / FAX : 480-892-0951

I6

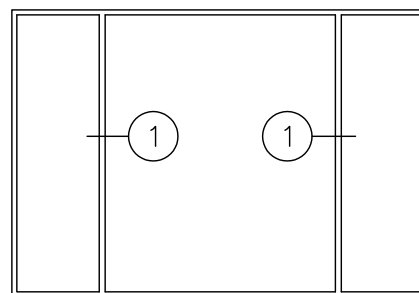
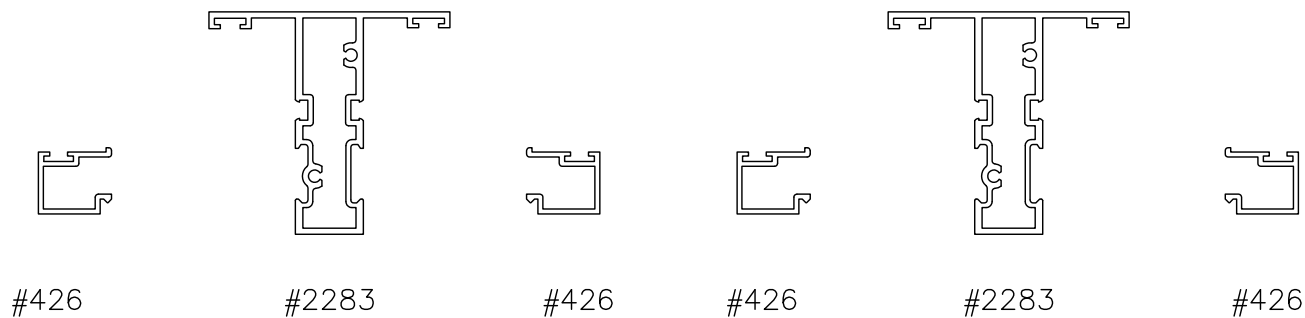
DATE:

6/12/13

R:\DRAWINGS\BROPAGE51-A\I6.DWG



① FIXED FRAME MULLIONS



HORIZONTAL SECTION THROUGH FIXED FRAME @ MULLION
DOUBLE GLAZED
SCALE: HALF SIZE



WINDOW SYSTEM – RESIDENTIAL

SERIES 511 – FIXED WINDOW

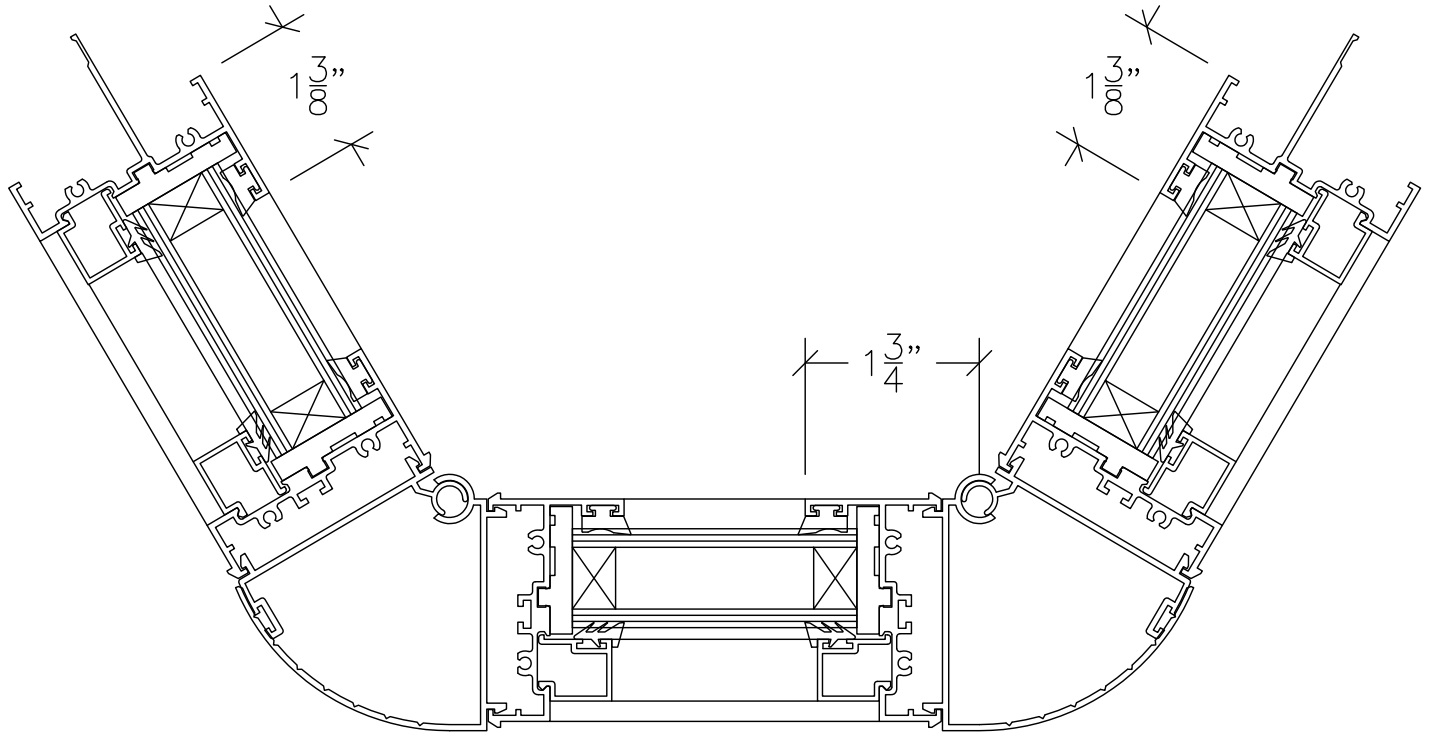
1503 W. San Pedro St., Gilbert, Arizona 85233

VOICE: 480-892-2600 / FAX : 480-892-0951

I7

DATE:
6/1/08

R:\DRAWINGS\BROPAGE\1-17.DWG



① FIXED FRAME JAMBS &
0° TO 60° ADJUSTABLE
BAY MULL BAR

#2274

#426

#426

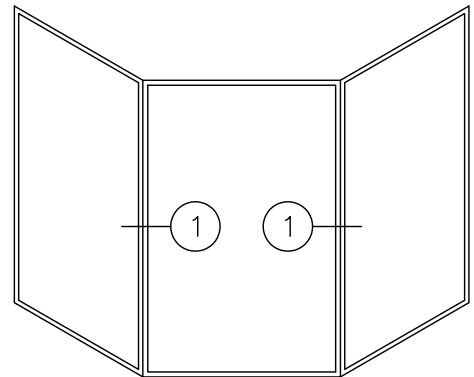
#2293

#276

#275

#2293

#426



HORIZONTAL SECTION THROUGH FIXED FRAME BAY WINDOW
DOUBLE GLAZED

SCALE: HALF SIZE



WINDOW SYSTEM – RESIDENTIAL

SERIES 511 – FIXED WINDOW

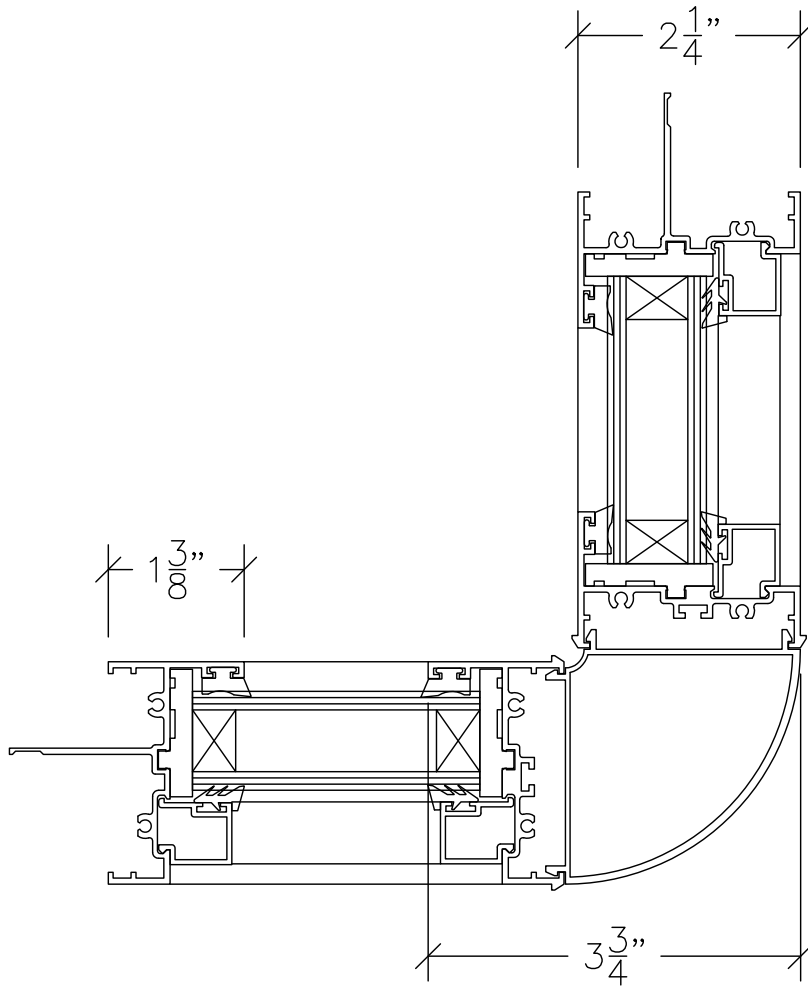
1503 W. San Pedro St., Gilbert, Arizona 85233

VOICE: 480-892-2600 / FAX : 480-892-0951

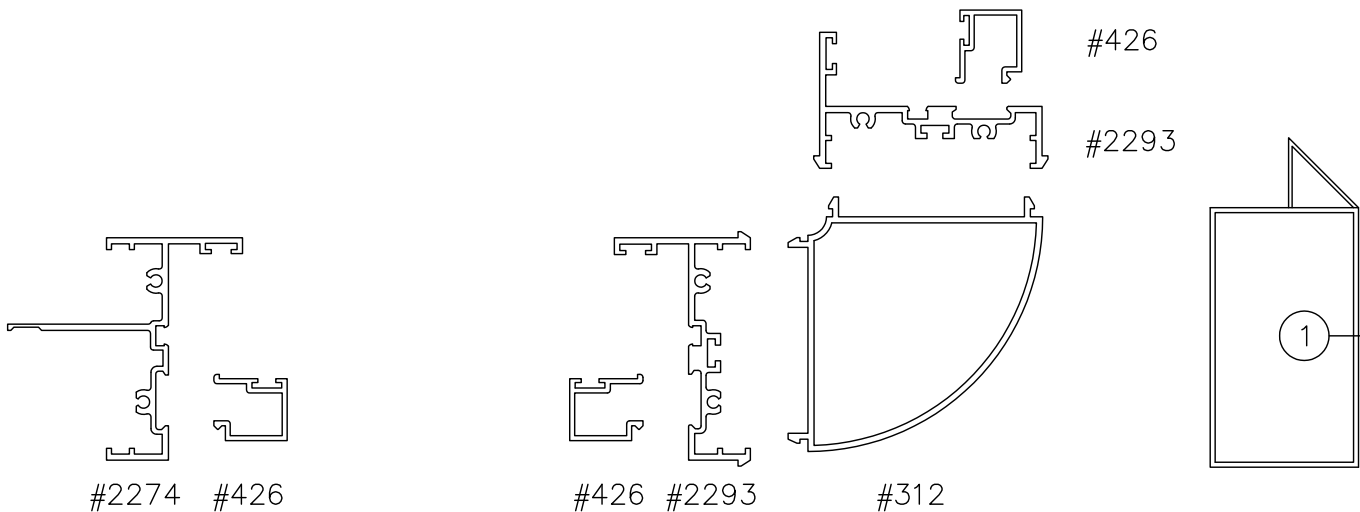
I8

DATE:
6/1/08

R:\DRAWINGS\BROGPAGES\1-18.DWG



① FIXED FRAME JAMBS & 90° CORNER MULL



HORIZONTAL SECTION THROUGH 90° CORNER MULL
DOUBLE GLAZED

SCALE: HALF SIZE