



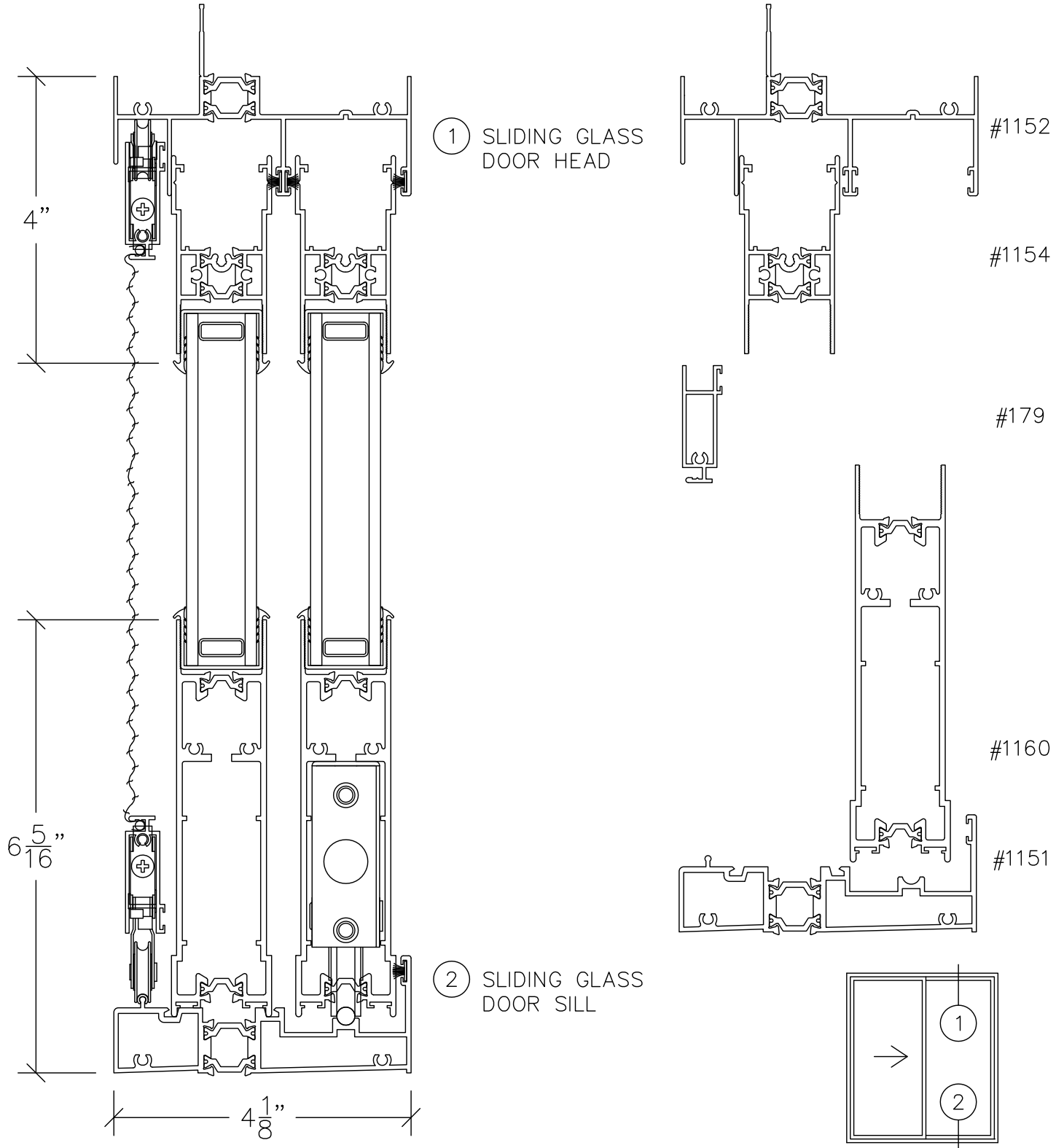
DOOR SYSTEM – RESIDENTIAL  
SERIES 1100 – THERMAL BREAK TSGD AND TSGD4

1503 W. San Pedro St., Gilbert, Arizona 85233  
VOICE: 480-892-2600/FAX : 480-892-0951/WWW.HERITAGEWINDOWS.COM

DD2A

DATE:  
10/16/14

R:\DRAWINGS\BROFAGES\DD\DD2.DWG



VERTICAL SECTION THROUGH THERMAL BREAK  
TSGD4 DOUBLE GLAZED

SCALE: 1:2