



# WINDOW SYSTEM

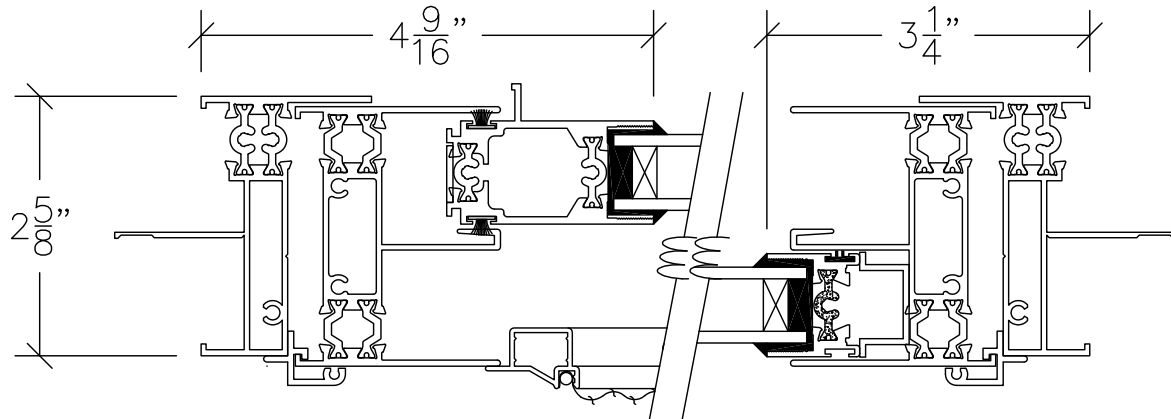
SERIES 1200 - THERMAL BREAK SLIDING WINDOW

1503 W. San Pedro St., Gilbert, Arizona 85233  
VOICE: 480-892-2600/FAX : 480-892-0951/WWW.HERITAGEWINDOWS.COM

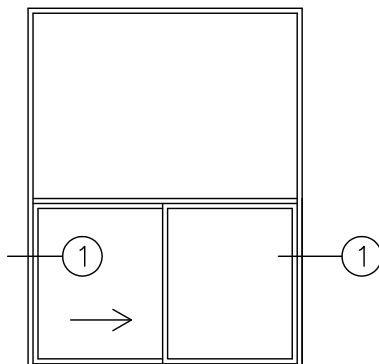
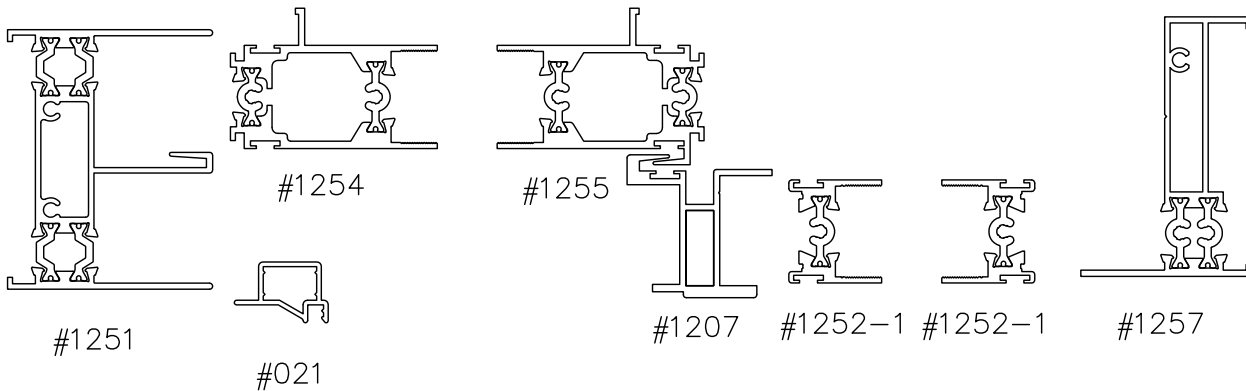
GG8

DATE:  
5/6/11

R:\DRAWINGS\BROFAGES\GG\GG8.DWG



- ① FIXED FRAME JAMB & HORIZONTAL SLIDER JAMB
- ⊙ SNAPPING MULL



HORIZONTAL SECTION THROUGH HORIZONTAL SLIDER INSERT  
DOUBLE GLAZED

SCALE: HALF SIZE