



DOOR SYSTEM - RESIDENTIAL  
SERIES 1151 - T/B MULTI-SLIDING GLASS DOOR (S1 MSD4)

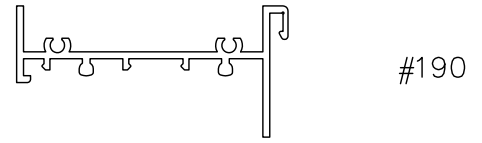
FF22E

1503 W. San Pedro St., Gilbert, Arizona 85233  
VOICE: 480-892-2600 / FAX : 480-892-0951

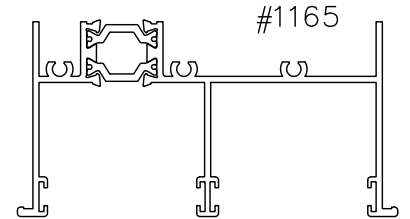
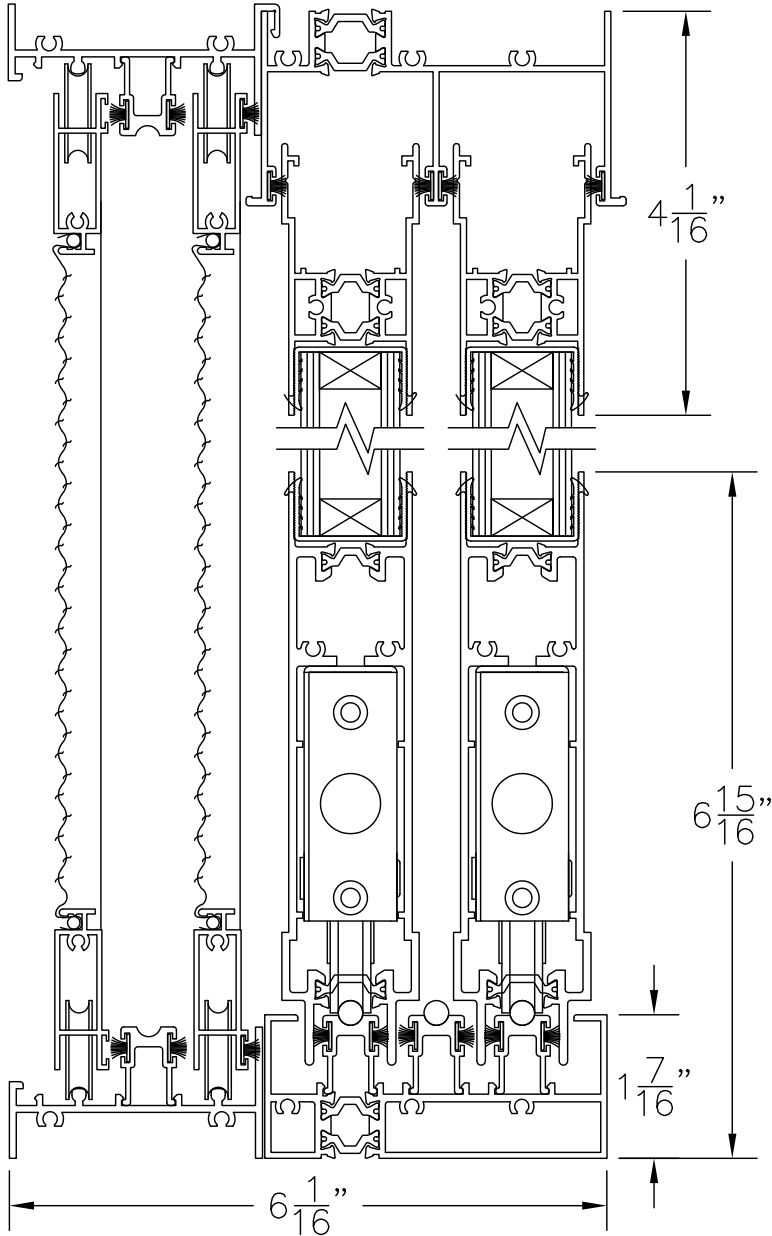
DATE:  
3/12/14  
DRAWINGS (BROPAGES) \FF\FF22E.DWG

CONFIGURATION NOT YET AVAILABLE

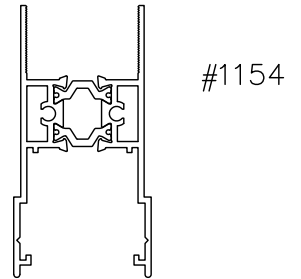
① T/B MULTI-SLIDING  
GLASS DOOR HEAD  
WITH SCREEN TRACK



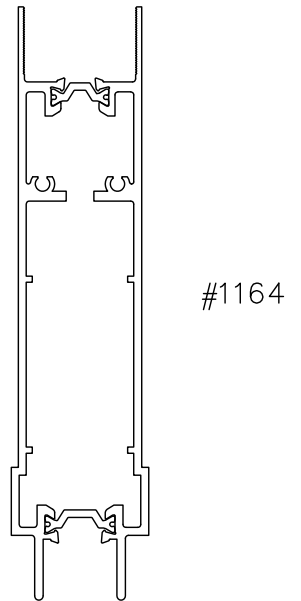
#190



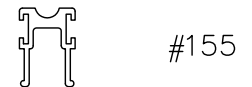
#1165



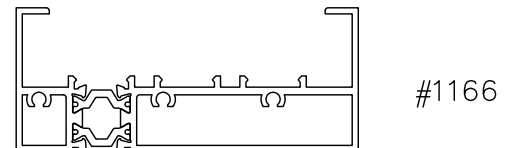
#1154



#1164



#155



#1166

② T/B MULTI-SLIDING  
GLASS DOOR SILL  
WITH SCREEN TRACK

VERTICAL SECTION THROUGH T/B MULTI-SLIDING GLASS DOOR  
DOUBLE GLAZED  
SCALE: 1:2