



WINDOW SYSTEM

SERIES 211 & 711 - SINGLE HUNG WINDOW - C-20

1503 W. San Pedro St., Gilbert, Arizona 85233

VOICE: 480-892-2600 / FAX : 480-892-0951

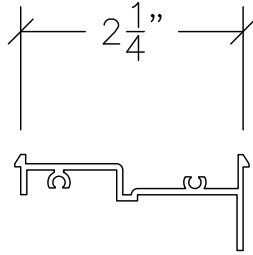
H1

DATE:
6/1/08

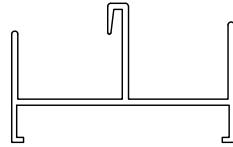
R:\DRAWINGS\BROSPAGES\C-H\H1.DWG

MASONRY

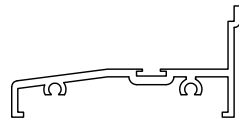
NU-WALL



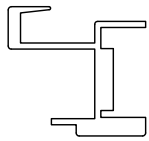
#214
HEAD



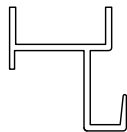
#215
JAMB



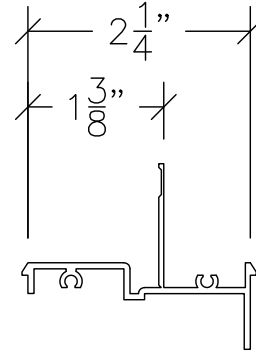
#213
SILL



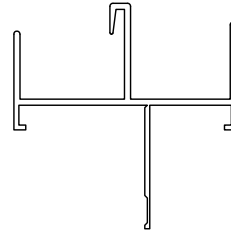
#317
MEETING RAIL
C-20 UPGRADE



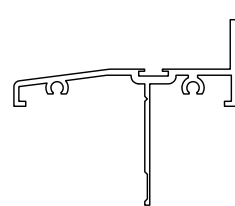
#219
MEETING RAIL



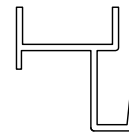
#271
HEAD



#272
JAMB



#270
SILL



#219
MEETING RAIL

MASONRY USED
IN BLOCK CONSTRUCTION
AND FOR MULL / STACK
APPLICATIONS

1 3/8" FIN SET BACK
FOR 1" FOAM &
3/8" STUCCO

SINGLE HUNG PERIMETER FRAME EXTRUSIONS

SCALE: HALF SIZE



WINDOW SYSTEM – RESIDENTIAL

SERIES 211 – SINGLE HUNG WINDOW

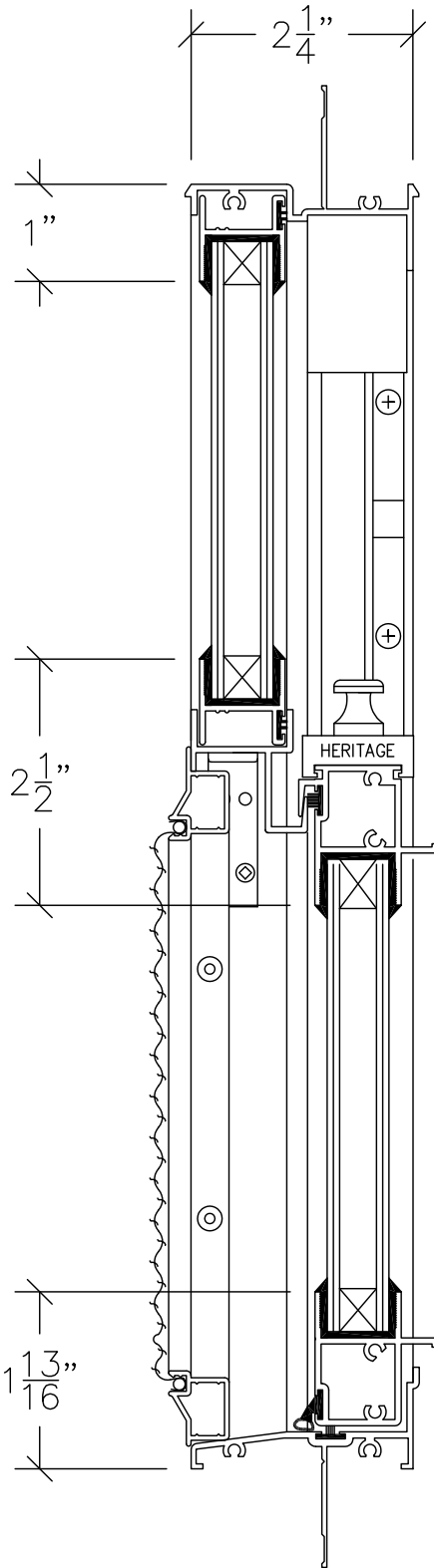
1503 W. San Pedro St., Gilbert, Arizona 85233

VOICE: 480-892-2600 / FAX : 480-892-0951

H2

DATE:
6/1/08

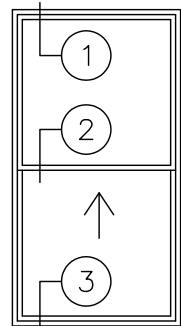
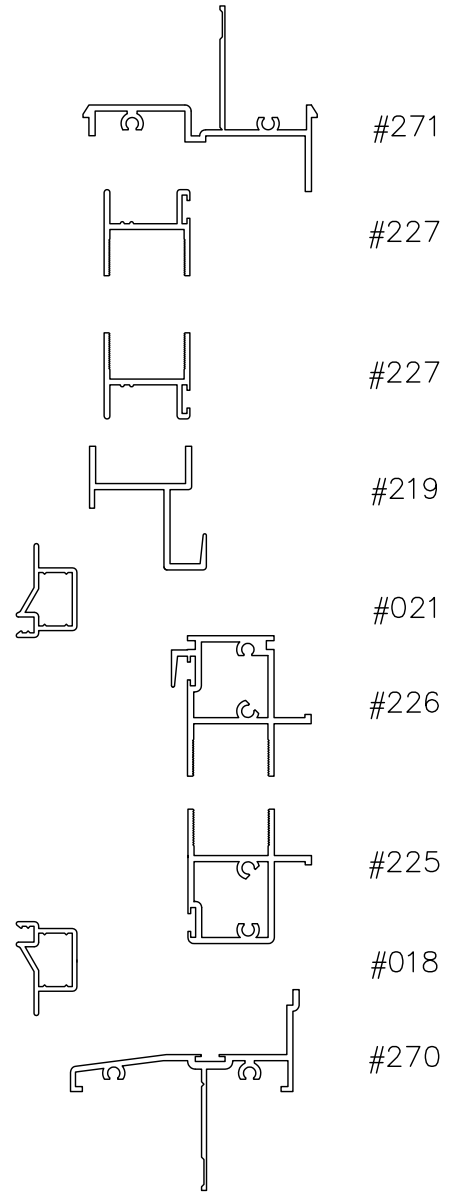
R:\DRAWINGS\BROPAGE'S\G-H\H2.DWG



① SINGLE HUNG HEAD

② MEETING RAIL

③ SINGLE HUNG SILL



VERTICAL SECTION THROUGH SINGLE HUNG
DOUBLE GLAZED

SCALE: HALF SIZE



WINDOW SYSTEM

SERIES 711 - SINGLE HUNG WINDOW - C-20

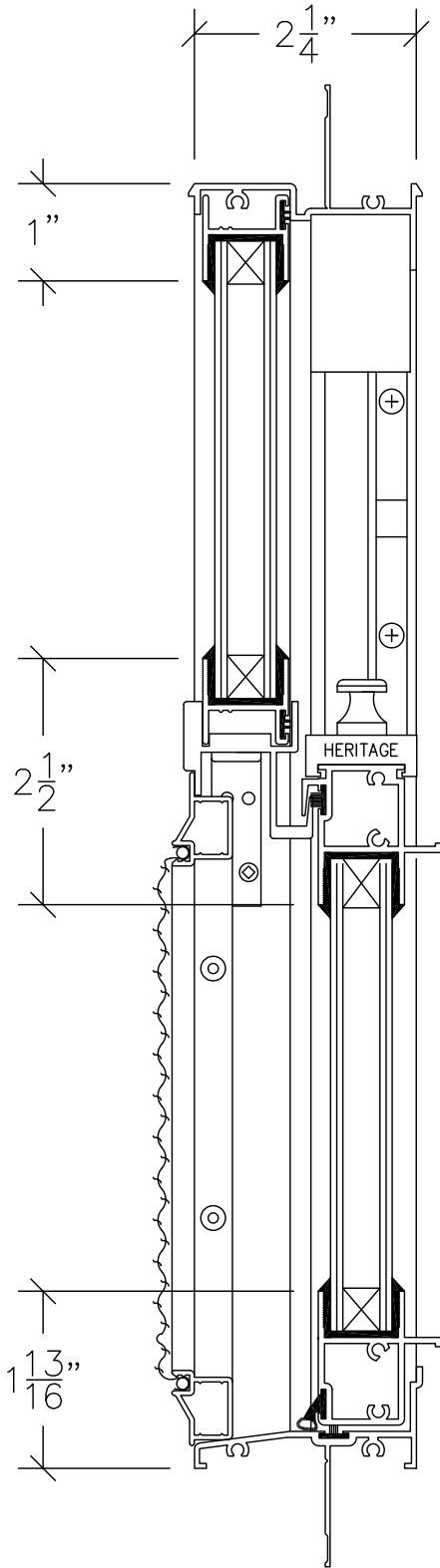
1503 W. San Pedro St., Gilbert, Arizona 85233

VOICE: 480-892-2600 / FAX : 480-892-0951

H3

DATE:
6/1/08

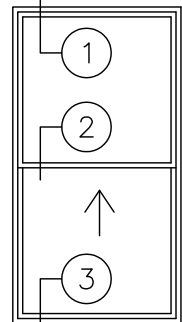
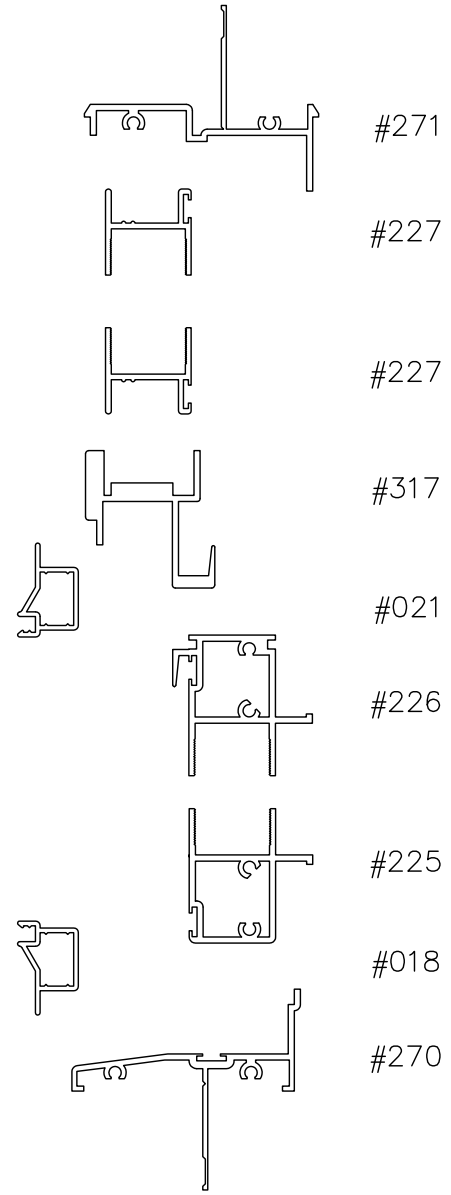
R:\DRAWINGS\BROPAGE\G-H\H3.DWG



① SINGLE HUNG HEAD

② MEETING RAIL

③ SINGLE HUNG SILL



VERTICAL SECTION THROUGH SINGLE HUNG
DOUBLE GLAZED

SCALE: HALF SIZE



WINDOW SYSTEM

SERIES 211 & 711 - SINGLE HUNG WINDOW - C-20

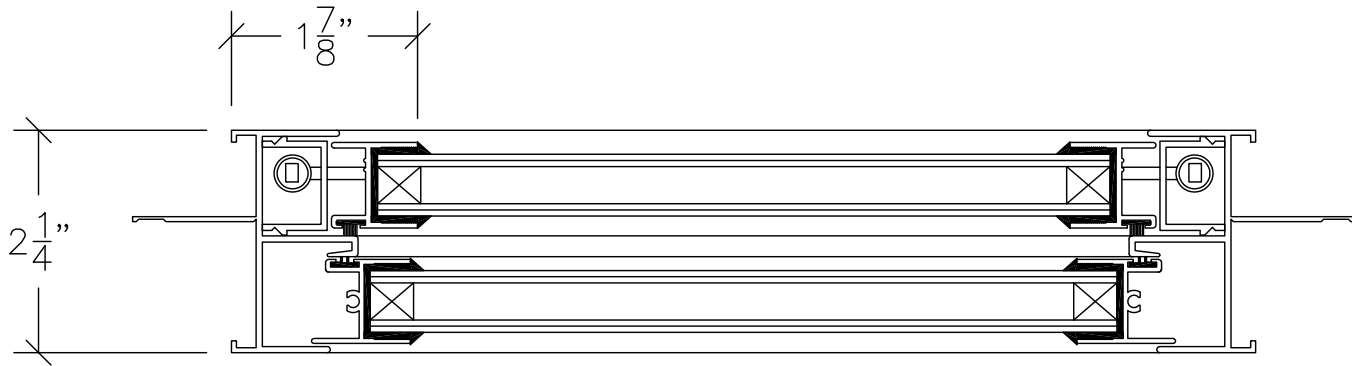
1503 W. San Pedro St., Gilbert, Arizona 85233

VOICE: 480-892-2600 / FAX : 480-892-0951

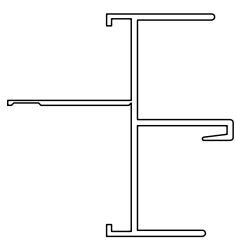
H4

DATE:
6/1/08

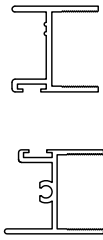
R:\DRAWINGS\BROPAGE'S\G-H\H4.DWG



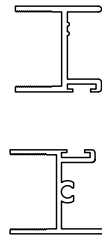
① SINGLE HUNG JAMB



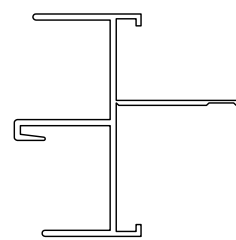
#272



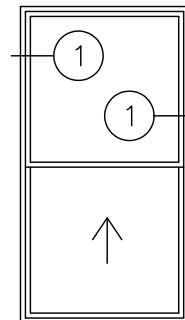
#227/
#229



#227/
#229



#272



HORIZONTAL SECTION THROUGH SINGLE HUNG
DOUBLE GLAZED

SCALE: HALF SIZE



WINDOW SYSTEM

SERIES 211 & 711 - SINGLE HUNG WINDOW - C-20

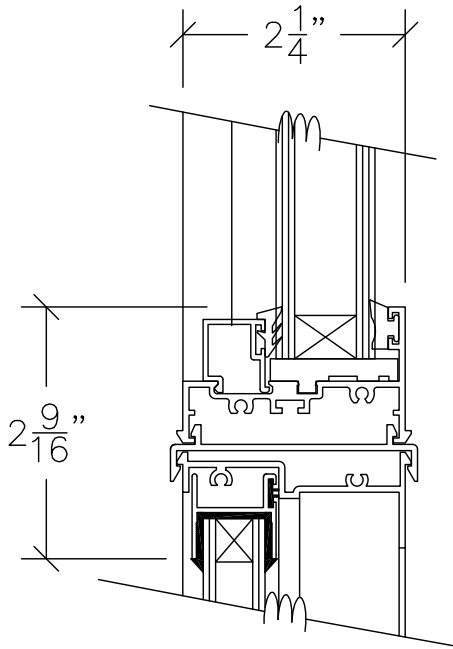
1503 W. San Pedro St., Gilbert, Arizona 85233

VOICE: 480-892-2600 / FAX : 480-892-0951

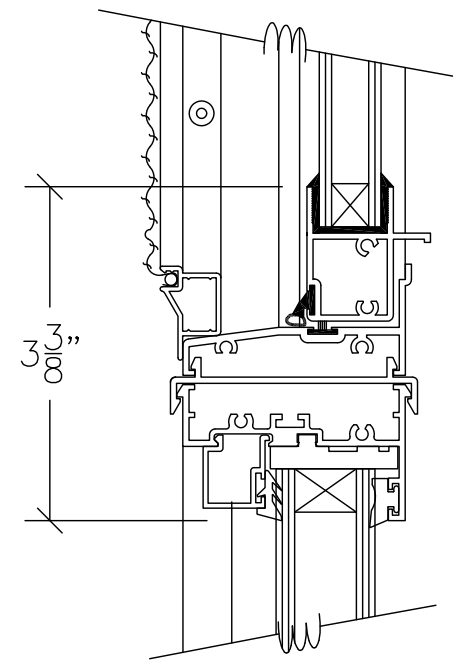
H5

DATE:
6/1/08

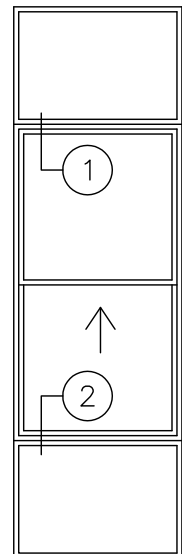
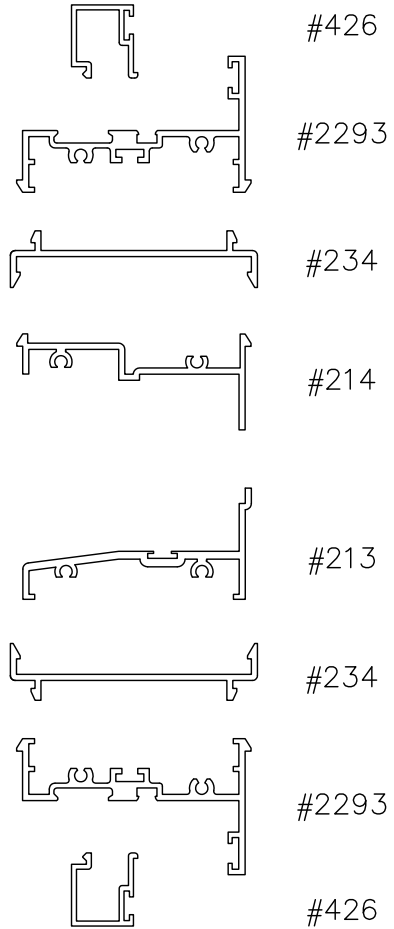
R:\DRAWINGS\BROCHURES\C-H\H5.DWG



① FIXED FRAME SILL & SINGLE HUNG HEAD



② SINGLE HUNG SILL & FIXED FRAME HEAD



VERTICAL SECTION THROUGH SINGLE HUNG STACK
DOUBLE GLAZED
SCALE: HALF SIZE



WINDOW SYSTEM

SERIES 211 & 711 - SINGLE HUNG WINDOW - C-20

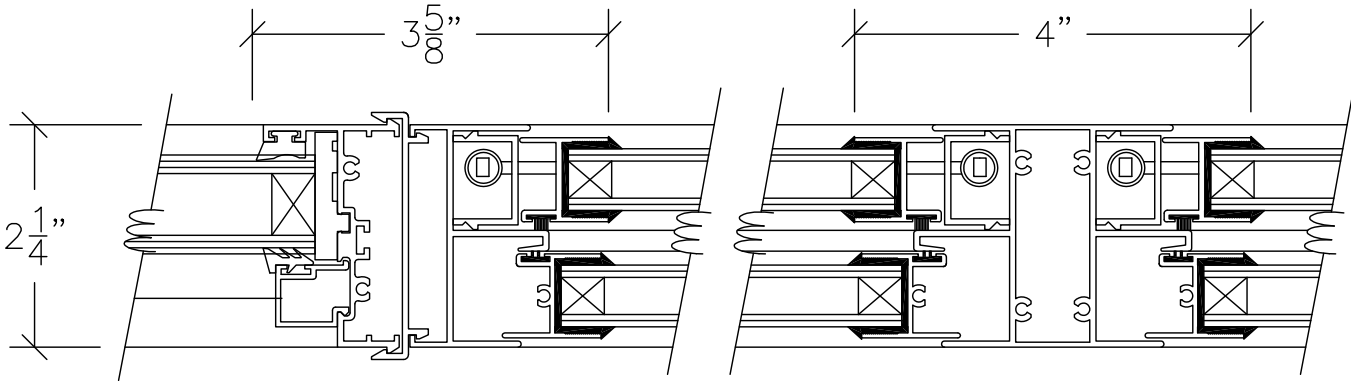
1503 W. San Pedro St., Gilbert, Arizona 85233

VOICE: 480-892-2600 / FAX : 480-892-0951

H6

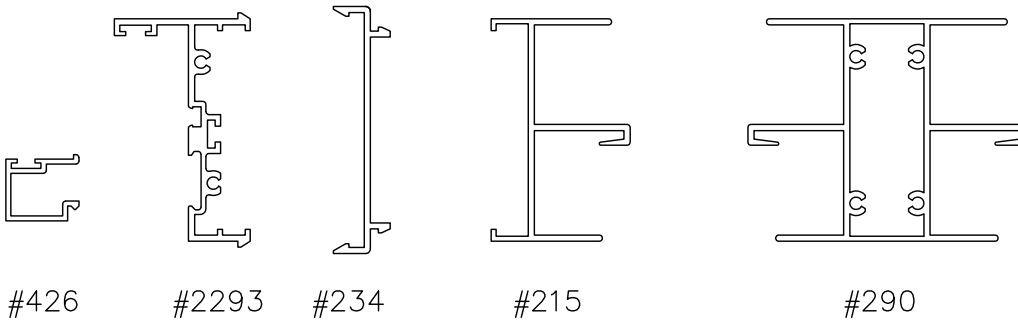
DATE:
6/1/08

R:\DRAWINGS\BROGPAGES\C-H\H6.DWG

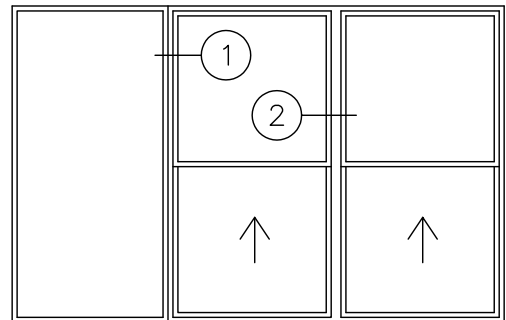


① FIXED FRAME JAMB & SINGLE HUNG JAMB

② SINGLE HUNG DOUBLE JAMB MULL



HORIZONTAL SECTION THROUGH SINGLE HUNG DOUBLE GLAZED
SCALE: HALF SIZE





WINDOW SYSTEM

SERIES 211 & 711 - SINGLE HUNG WINDOW - C-20

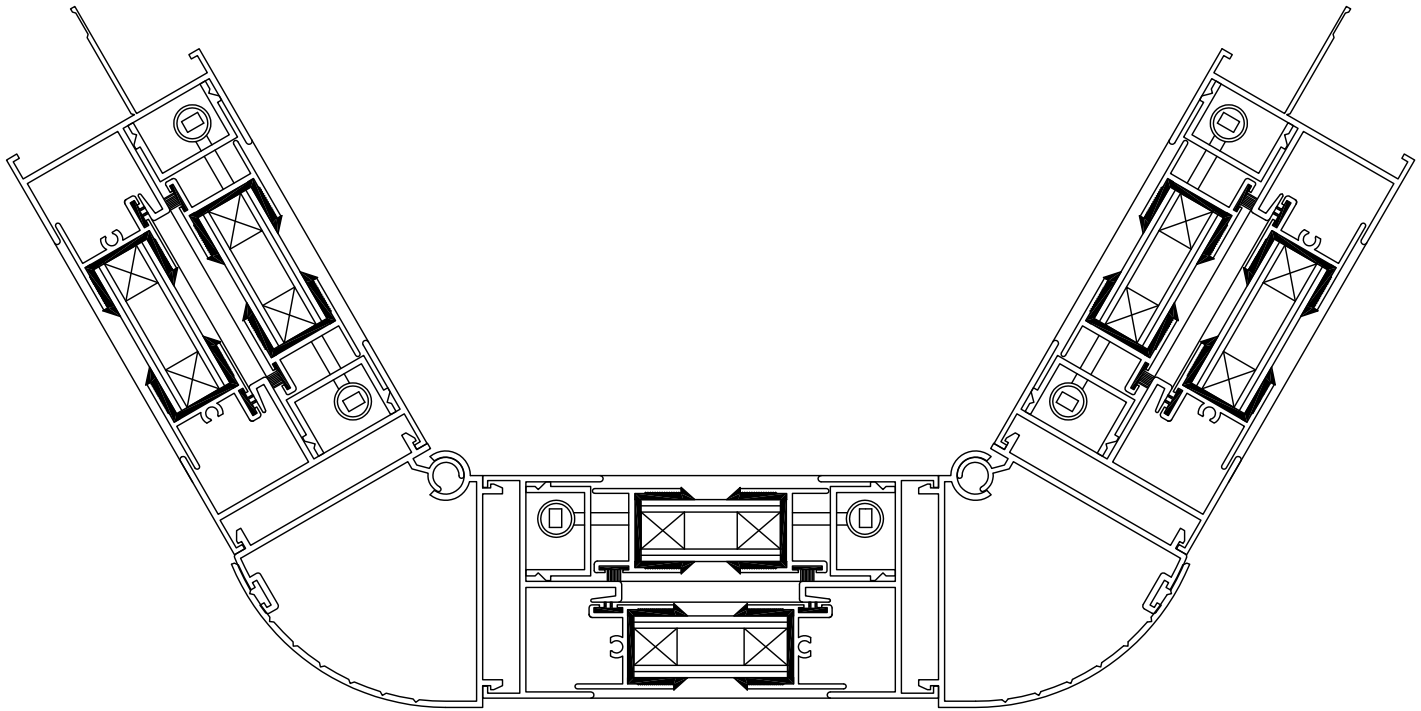
1503 W. San Pedro St., Gilbert, Arizona 85233

VOICE: 480-892-2600 / FAX : 480-892-0951

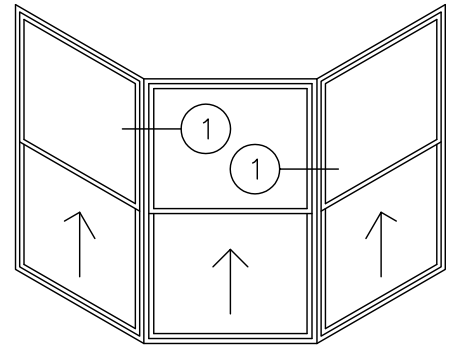
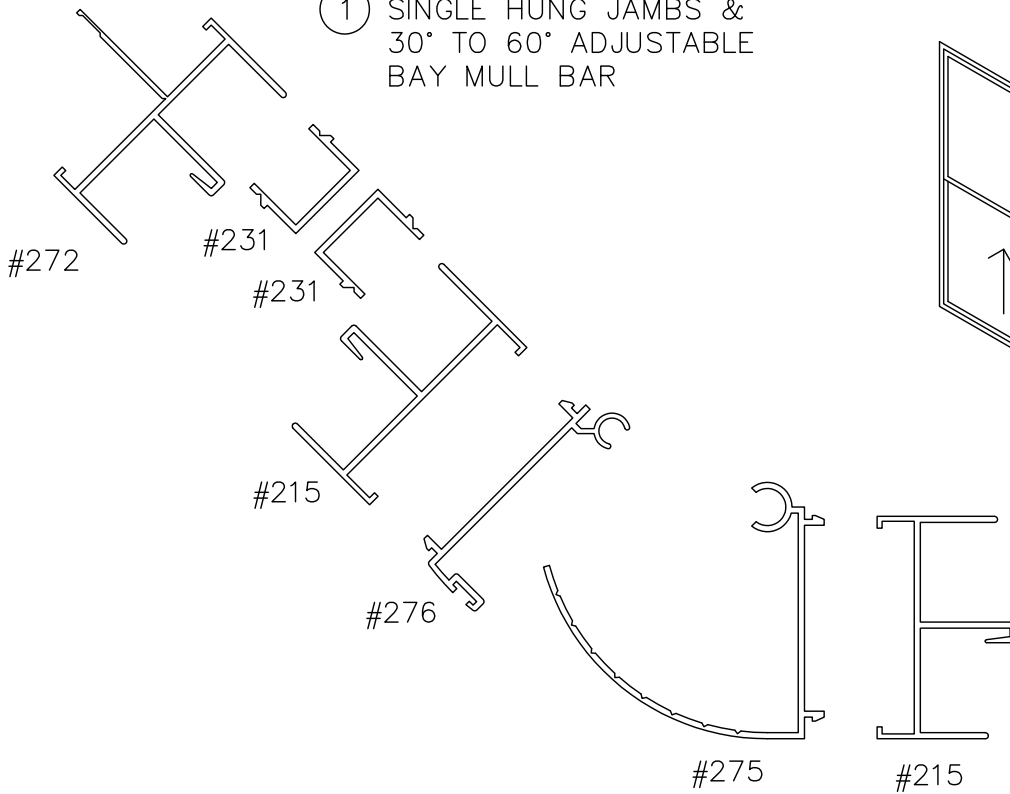
H7

DATE:
6/1/08

R:\DRAWINGS\BROPAGE'S\G-H\H7.DWG



① SINGLE HUNG JAMBS &
30° TO 60° ADJUSTABLE
BAY MULL BAR



HORIZONTAL SECTION THROUGH SINGLE HUNG BAY WINDOW
DOUBLE GLAZED
SCALE: HALF SIZE