



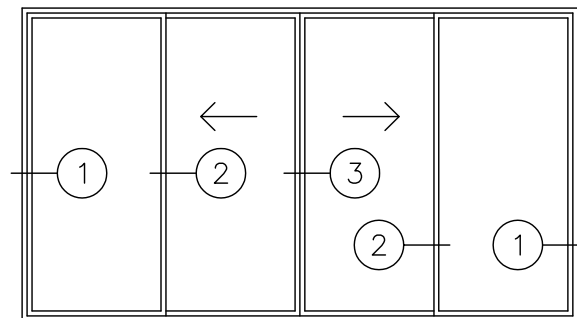
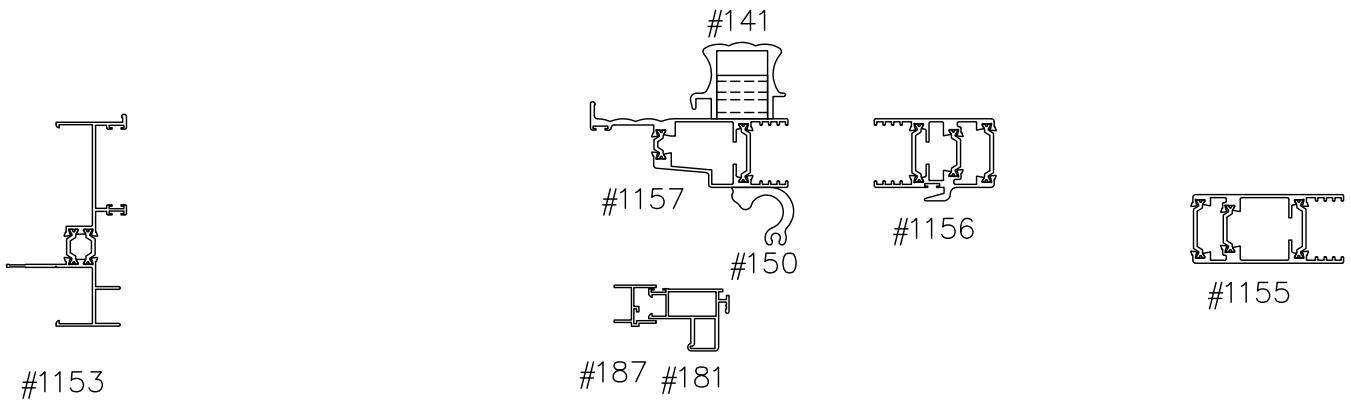
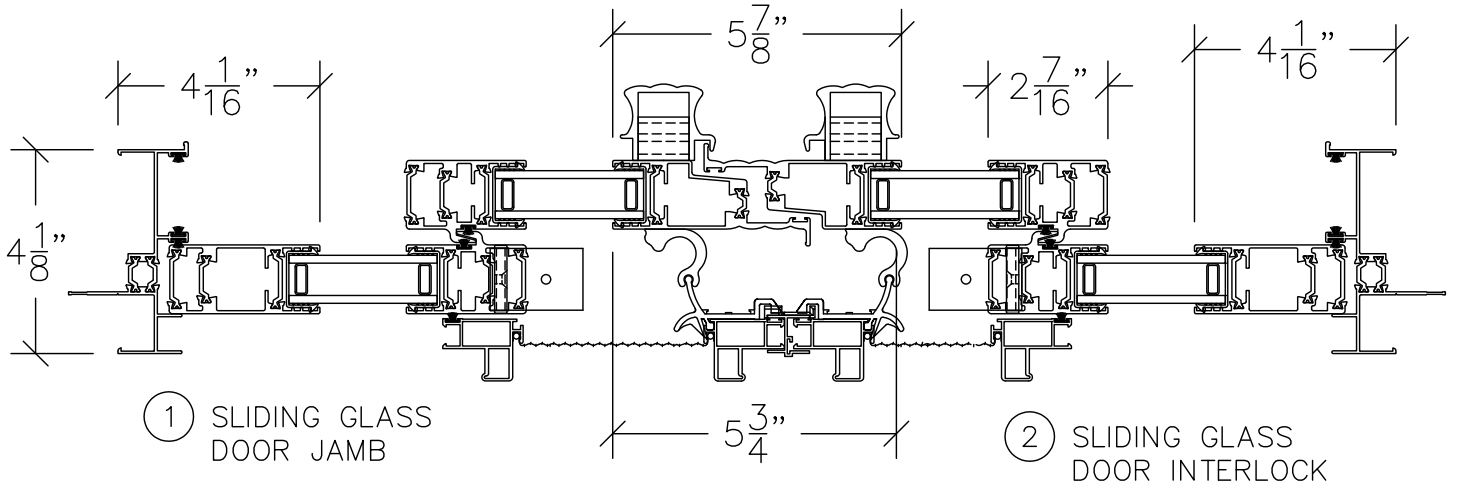
DOOR SYSTEM – RESIDENTIAL
SERIES 1100 – THERMAL BREAK SLIDING GLASS DOOR
1503 W. San Pedro St., Gilbert, Arizona 85233
VOICE: 480-892-2600/FAX : 480-892-0951/WWW.HERITAGEWINDOWS.COM

DD6

DATE:
12/4/13

R:\DRAWINGS\BROPAGEIS\DD\DD6.DWG

③ SLIDING GLASS
DOOR OXXO INTERLOCK



HORIZONTAL SECTION THROUGH THERMAL BREAK SGD
DOUBLE GLAZED

SCALE: 1:4