



WINDOW SYSTEM
SERIES 1500 - CASEMENT

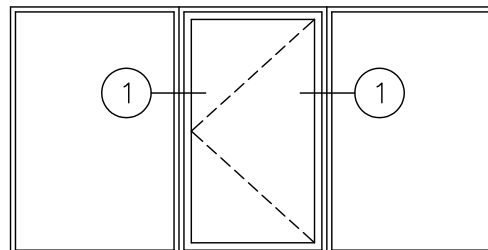
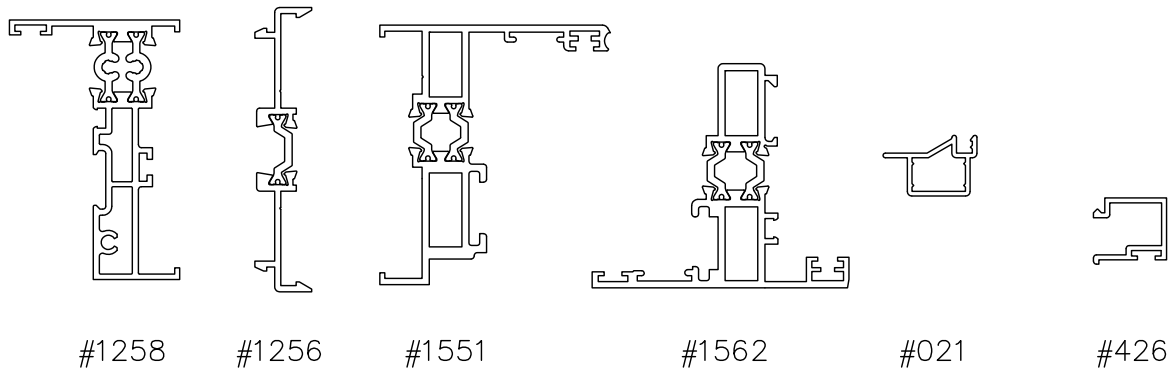
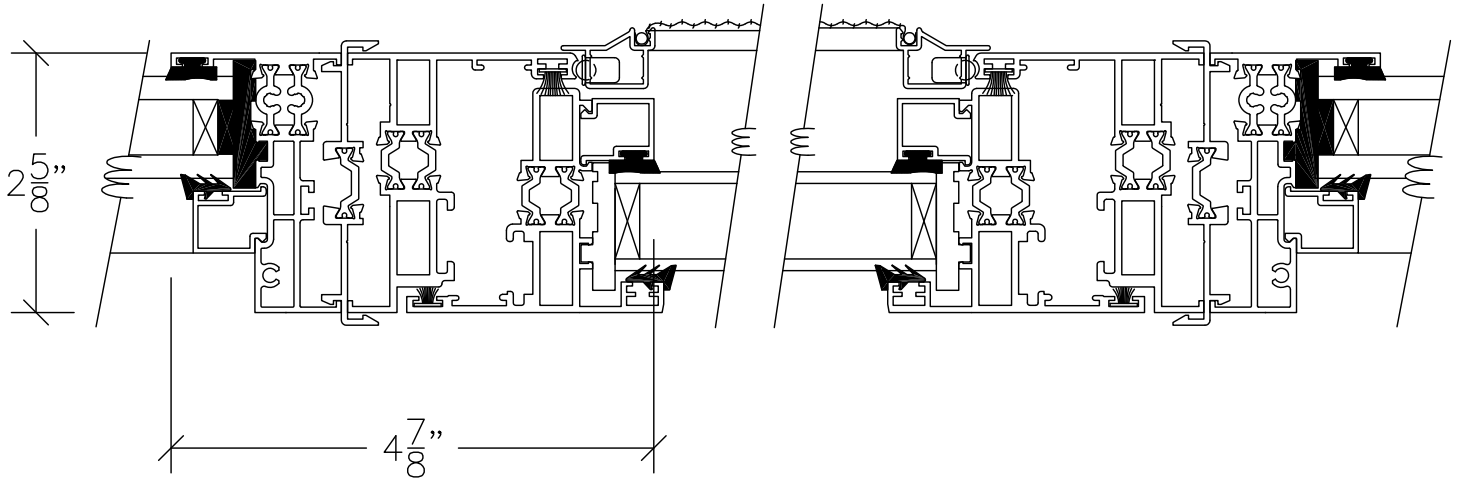
1503 W. San Pedro St., Gilbert, Arizona 85233
VOICE: 480-892-2600/FAX : 480-892-0951/WWW.HERITAGEWINDOWS.COM

KK5

DATE:
5/6/11

R:\DRAWINGS\BROPAGES\KK\KK5.DWG

① FIXED FRAME JAMB &
CASEMENT PERIMETER
FRAME JAMB



HORIZONTAL SECTION THROUGH THERMAL BREAK CASEMENT/
FIXED FRAME MULL WINDOW DOUBLE GLAZED
SCALE: HALF SIZE