



WINDOW SYSTEM

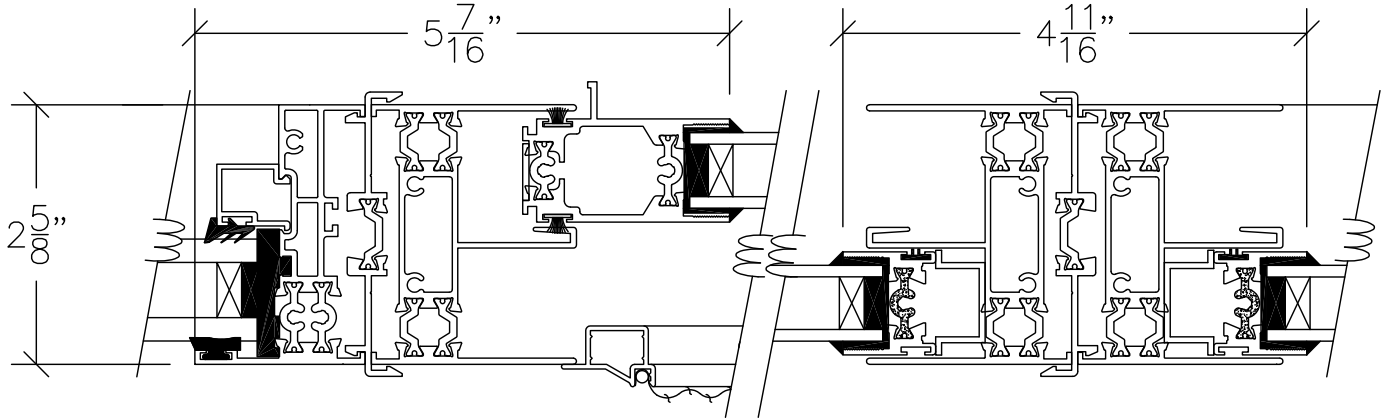
SERIES 1200 - THERMAL BREAK SLIDING WINDOW

1503 W. San Pedro St., Gilbert, Arizona 85233
VOICE: 480-892-2600/FAX : 480-892-0951/WWW.HERITAGEWINDOWS.COM

GG7

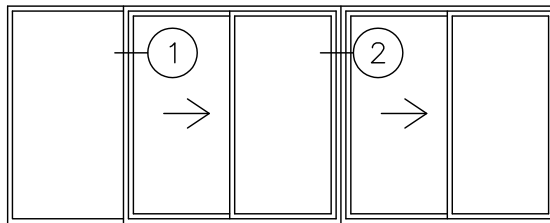
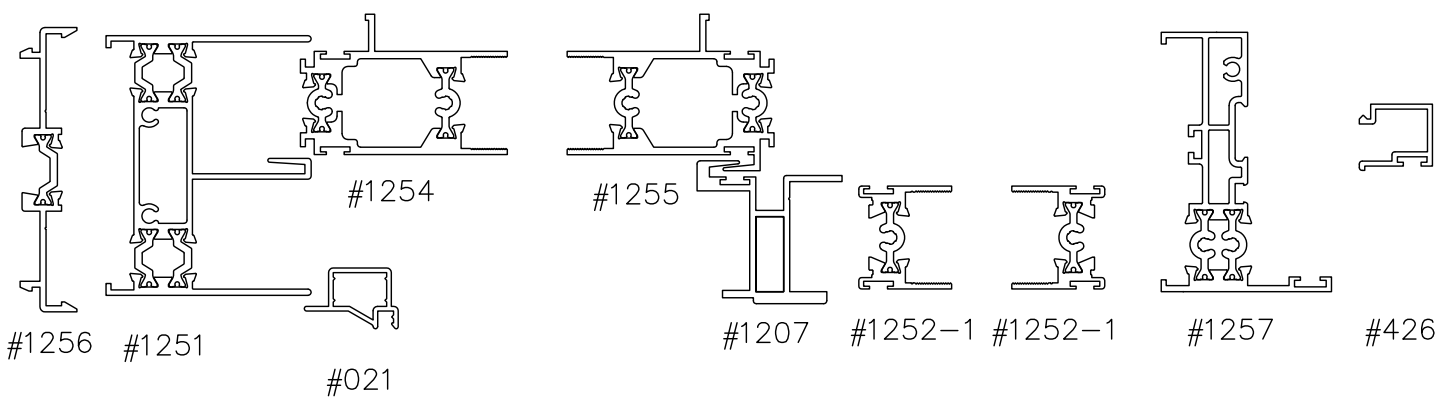
DATE:
5/6/11

R:\DRAWINGS\BROFAGES\GG\GG7.DWG



① FIXED FRAME JAMB &
HORIZONTAL SLIDER JAMB
⊙ SNAPPING MULL

① HORIZONTAL SLIDER JAMBS
⊙ INTERNAL MULL



HORIZONTAL SECTION THROUGH HORIZONTAL SLIDER
DOUBLE GLAZED

SCALE: HALF SIZE