



WINDOW SYSTEM

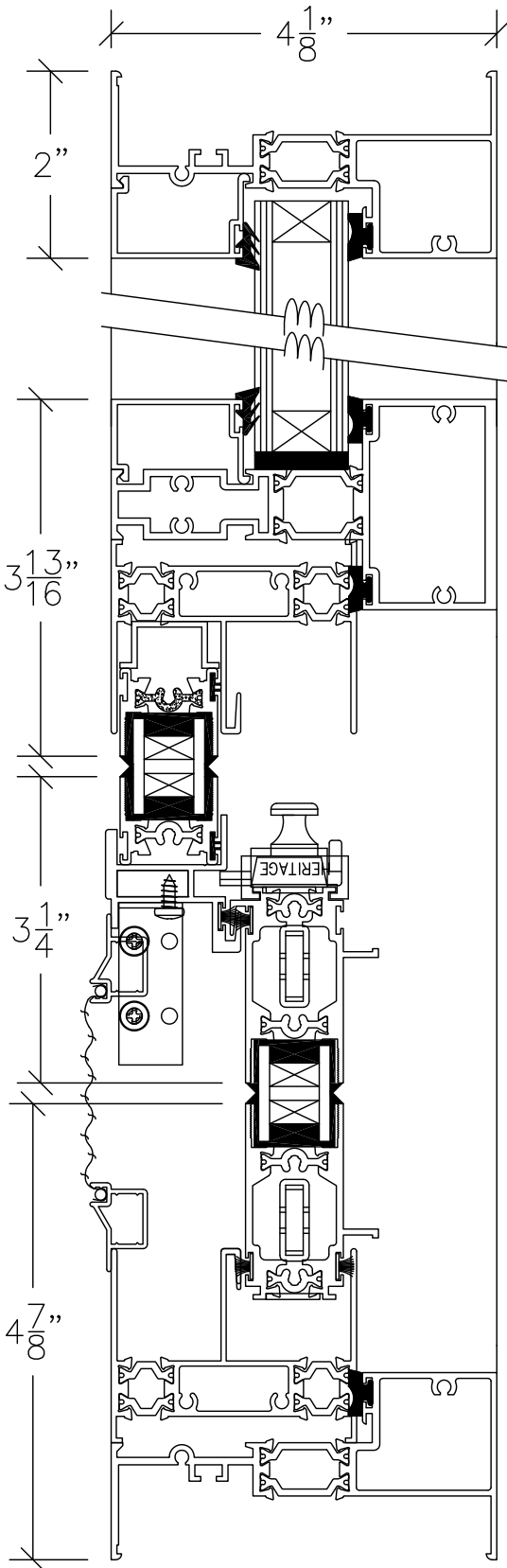
SERIES 1400 - THERMAL BREAK WINDOW WALL

1503 W. San Pedro St., Gilbert, Arizona 85233
VOICE: 480-892-2600/FAX : 480-892-0951/WWW.HERITAGEWINDOWS.COM

AA6

DATE:
6/12/13

R:\DRAWINGS\BROGPAGES\AA\AA6.DWG



4 1/8"

2"

3 13/16"

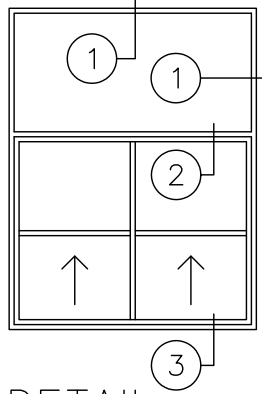
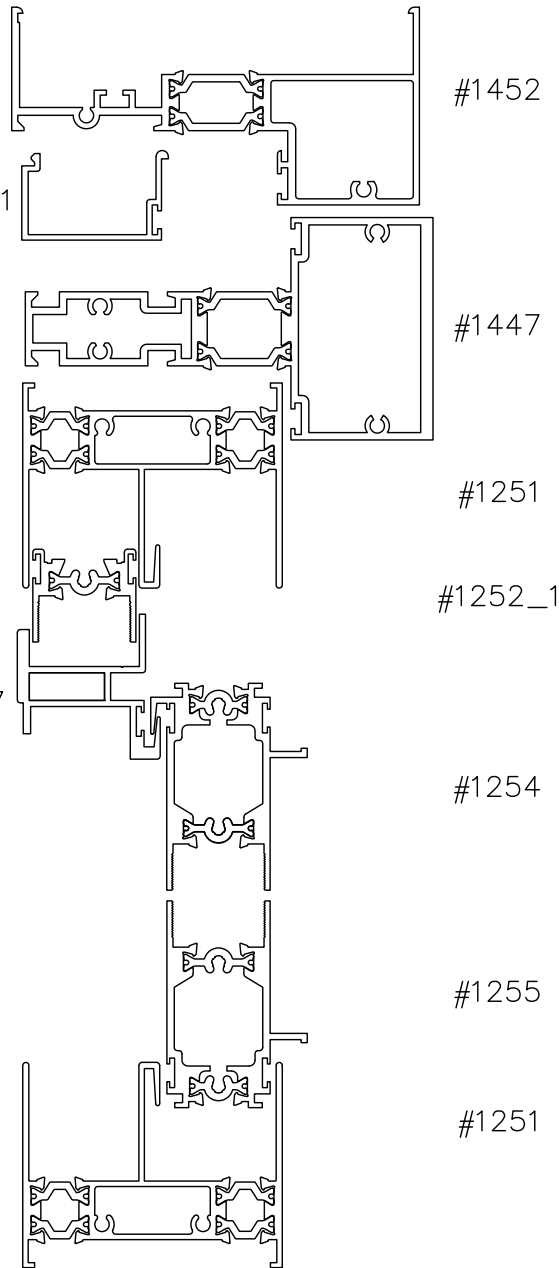
3 1/4"

4 7/8"

① PERIMETER FRAME #411
HEAD/JAMB

② HORIZONTAL MULLION #1207

③ PERIMETER FRAME #1251
SILL



4 1/8" PERIMETER FRAME & MUNTIN DETAIL
W/ SINGLE HUNG INSERT - DOUBLE GLAZED
SCALE: HALF SIZE