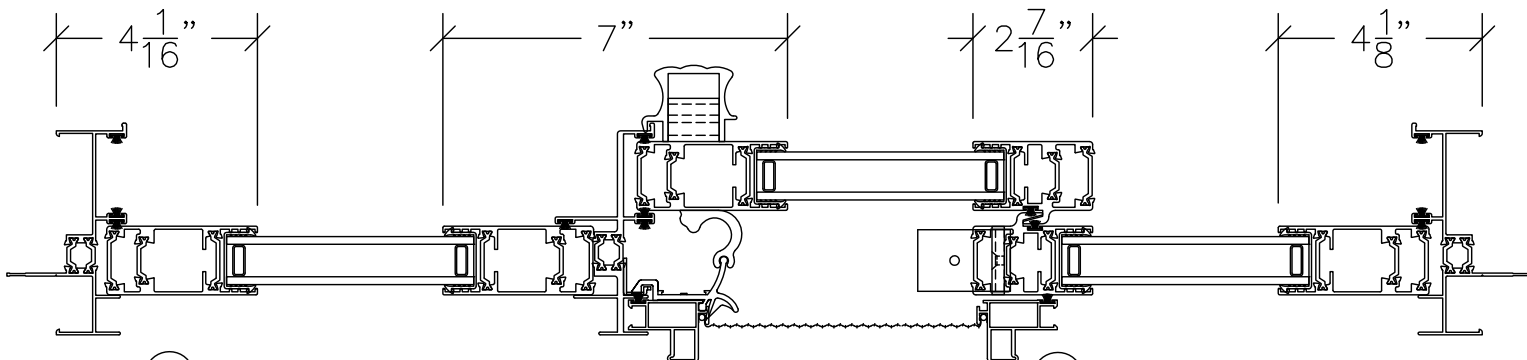




DOOR SYSTEM – RESIDENTIAL
SERIES 1100 – THERMAL BREAK SLIDING GLASS DOOR
1503 W. San Pedro St., Gilbert, Arizona 85233
VOICE: 480-892-2600/FAX : 480-892-0951/WWW.HERITAGEWINDOWS.COM

DD5

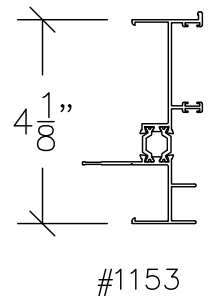
DATE:
1/6/14
R:\DRAWINGS\BROFAGES\DD\DD5.DWG



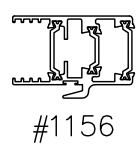
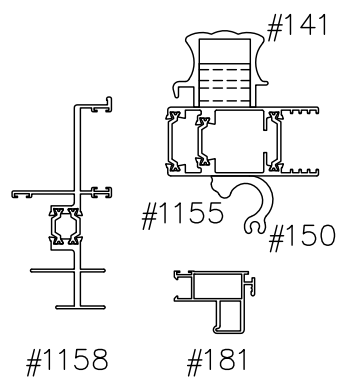
① SLIDING GLASS DOOR JAMB

② TYPICAL SGD JAMB ADAPTOR OXO

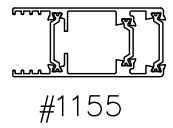
③ SLIDING GLASS DOOR INTERLOCK



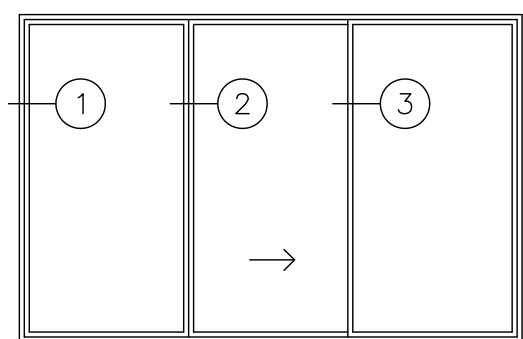
#1153



#1156



#1155



HORIZONTAL SECTION THROUGH THERMAL BREAK SGD
DOUBLE GLAZED
SCALE: 1:4