



# WINDOW SYSTEM

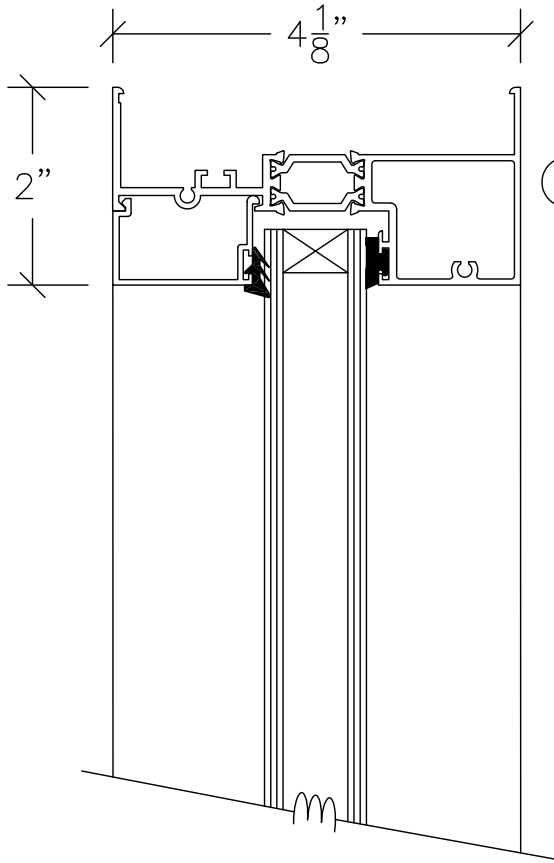
SERIES 1400 - THERMAL BREAK WINDOW WALL

1503 W. San Pedro St., Gilbert, Arizona 85233  
VOICE: 480-892-2600/FAX : 480-892-0951/WWW.HERITAGEWINDOWS.COM

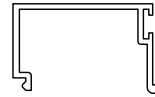
AA8

DATE:  
12/5/13

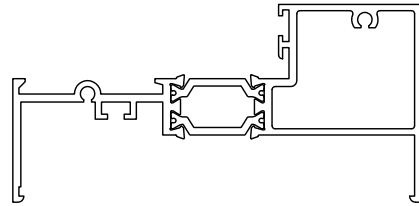
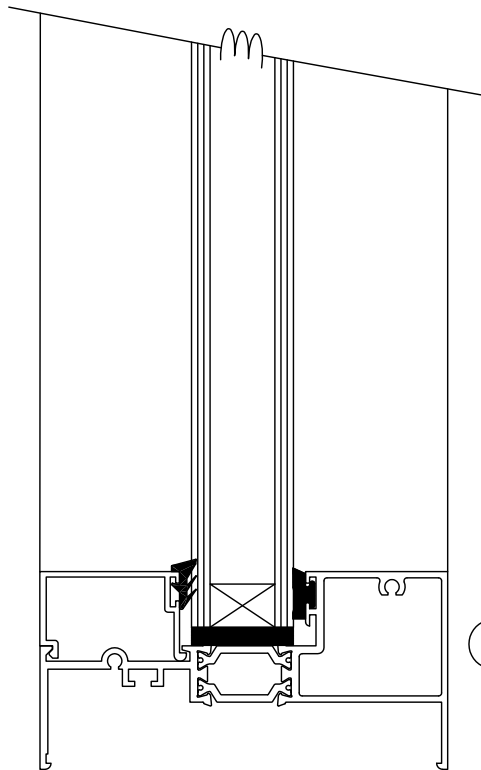
R:\DRAWINGS\BROPAGE\AA\AA8.DWG



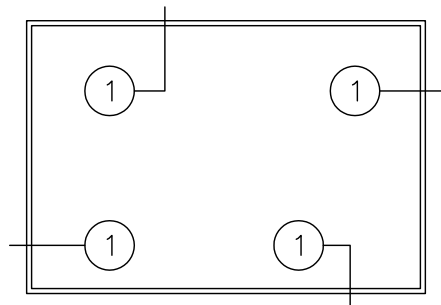
① TYPICAL PERIMETER FRAME



#411



#1452



4 1/8" PERIMETER FRAME - DOUBLE GLAZED

SCALE: HALF SIZE