



WINDOW SYSTEM – RESIDENTIAL

GLASS & INTERNAL AND EXTERNAL MUNTINS

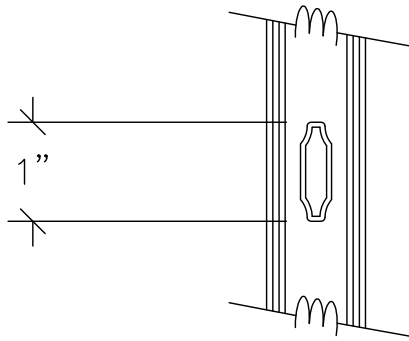
1503 W. San Pedro St., Gilbert, Arizona 85233

VOICE: 480-892-2600 / FAX : 480-892-0951

J1

DATE:
6/26/13

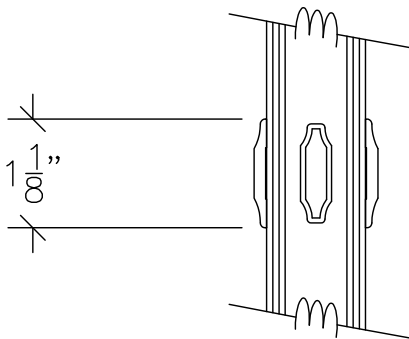
R:\DRAWINGS\BROPAGE\J-1\J1.DWG



① 318 INTERNAL MUNTIN (EXTRUDED)



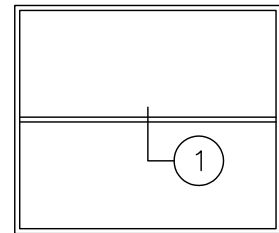
#318



① 311 EXTERNAL MUNTIN (EXTRUDED)
318 INTERNAL MUNTIN (EXTRUDED)



#311



VERTICAL SECTION THROUGH 311/318 INTERNAL MUNTIN
DOUBLE GLAZED

SCALE: HALF SIZE



WINDOW SYSTEM – RESIDENTIAL

GLASS & INTERNAL AND EXTERNAL MUNTINS

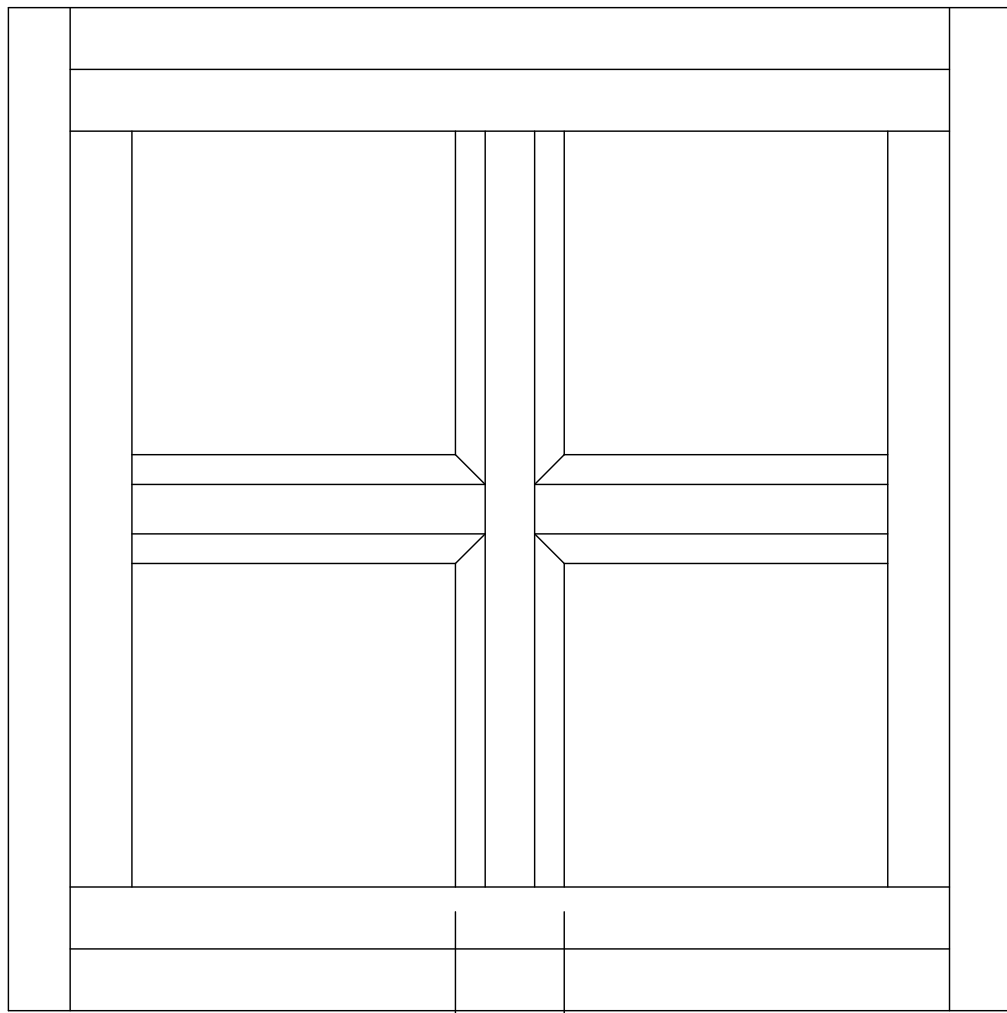
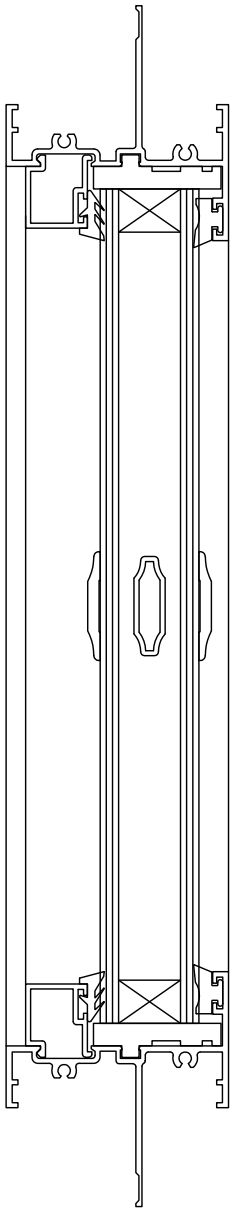
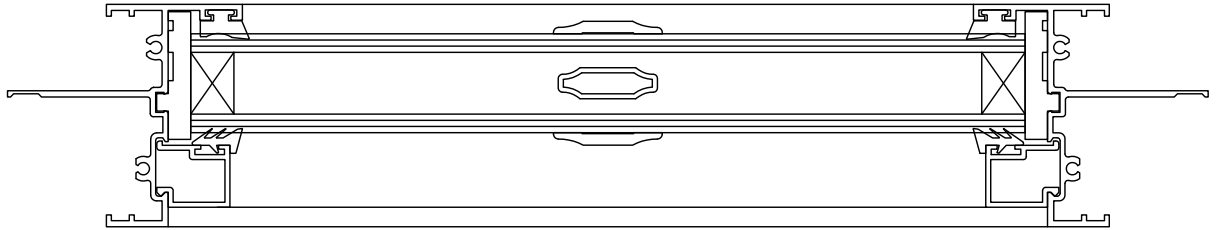
1503 W. San Pedro St., Gilbert, Arizona 85233

VOICE: 480-892-2600 / FAX : 480-892-0951

J2

DATE:
7/26/13

R:\DRAWINGS\BROPAGE\J-J2.DWG



$\nabla 1\frac{1}{8}'' \swarrow$

FRONT, SIDE, TOP VIEW OF 2EM2 FIXED FRAME
WITH INTERNAL/EXTERNAL MUNTINS
DOUBLE GLAZED

SCALE: HALF SIZE



WINDOW SYSTEM – RESIDENTIAL

GLASS & INTERNAL AND EXTERNAL MUNTINS

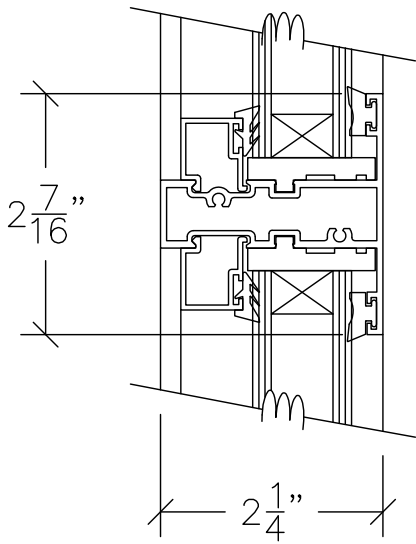
1503 W. San Pedro St., Gilbert, Arizona 85233

VOICE: 480-892-2600 / FAX : 480-892-0951

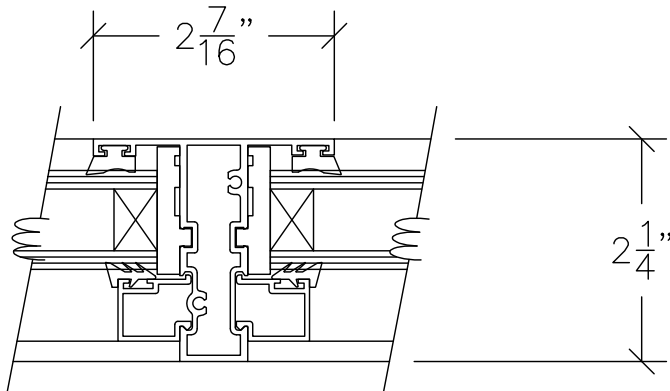
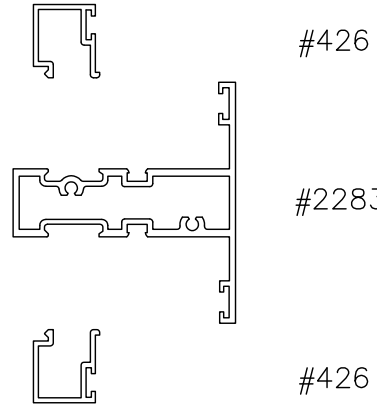
J3

DATE:
6/1/08

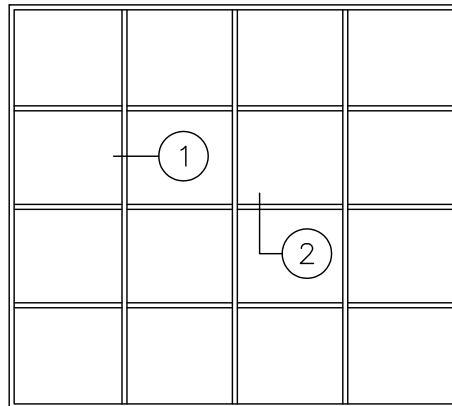
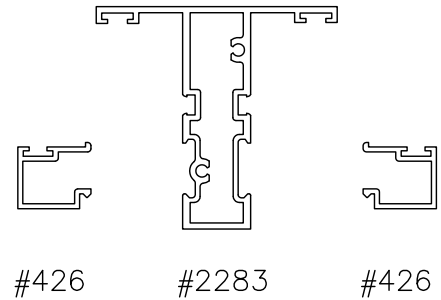
R:\DRAWINGS\BROGPAGES\J-J3.DWG



① 2283 TUBULAR MUNTIN
FIXED FRAMES ONLY



② 2283 TUBULAR MUNTIN
FIXED FRAMES ONLY



VERTICAL & HORIZONTAL SECTIONS THROUGH 2283 MUNTIN
DOUBLE GLAZED

SCALE: HALF SIZE