



# WINDOW SYSTEM

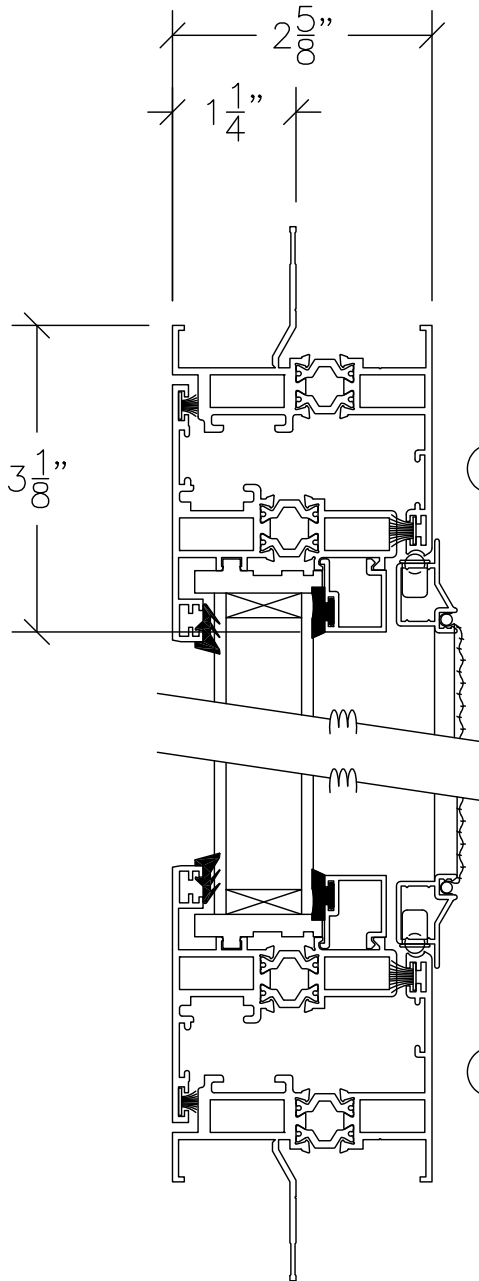
SERIES 1500 - CASEMENT

1503 W. San Pedro St., Gilbert, Arizona 85233  
VOICE: 480-892-2600/FAX : 480-892-0951/WWW.HERITAGEWINDOWS.COM

# KK2

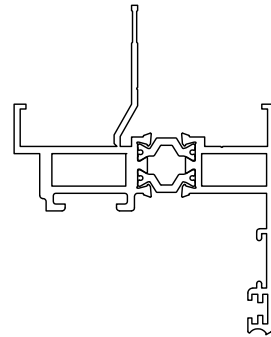
DATE:  
5/6/11

R:\DRAWINGS\BROGPAGES\KK\KK2.DWG

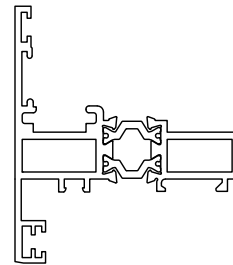


① TYPICAL PERIMETER FRAME & LEAF

① TYPICAL PERIMETER FRAME & LEAF



#1551



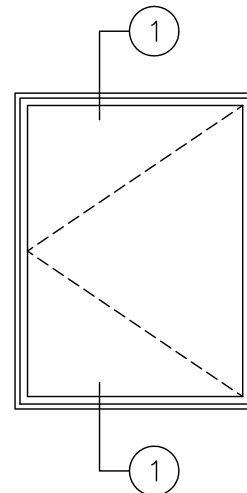
#1562



#021



#426



VERTICAL SECTION THROUGH THERMAL BREAK  
CASEMENT WINDOW DOUBLE GLAZED  
SCALE: HALF SIZE