



# DOOR SYSTEM – RESIDENTIAL

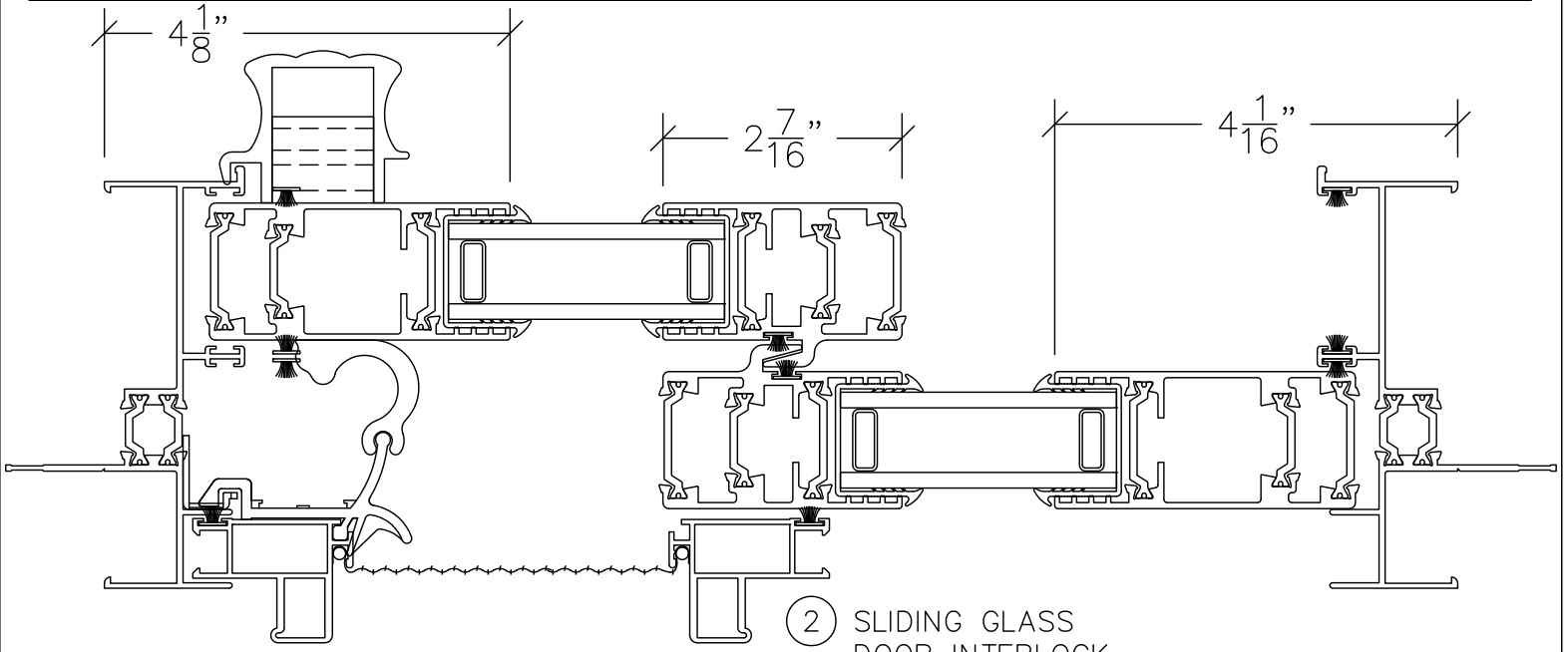
SERIES 1100 – THERMAL BREAK SLIDING GLASS DOOR

1503 W. San Pedro St., Gilbert, Arizona 85233  
VOICE: 480-892-2600/FAX : 480-892-0951/WWW.HERITAGEWINDOWS.COM

DD4

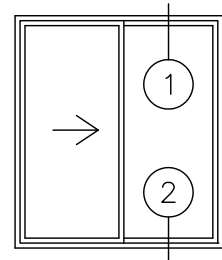
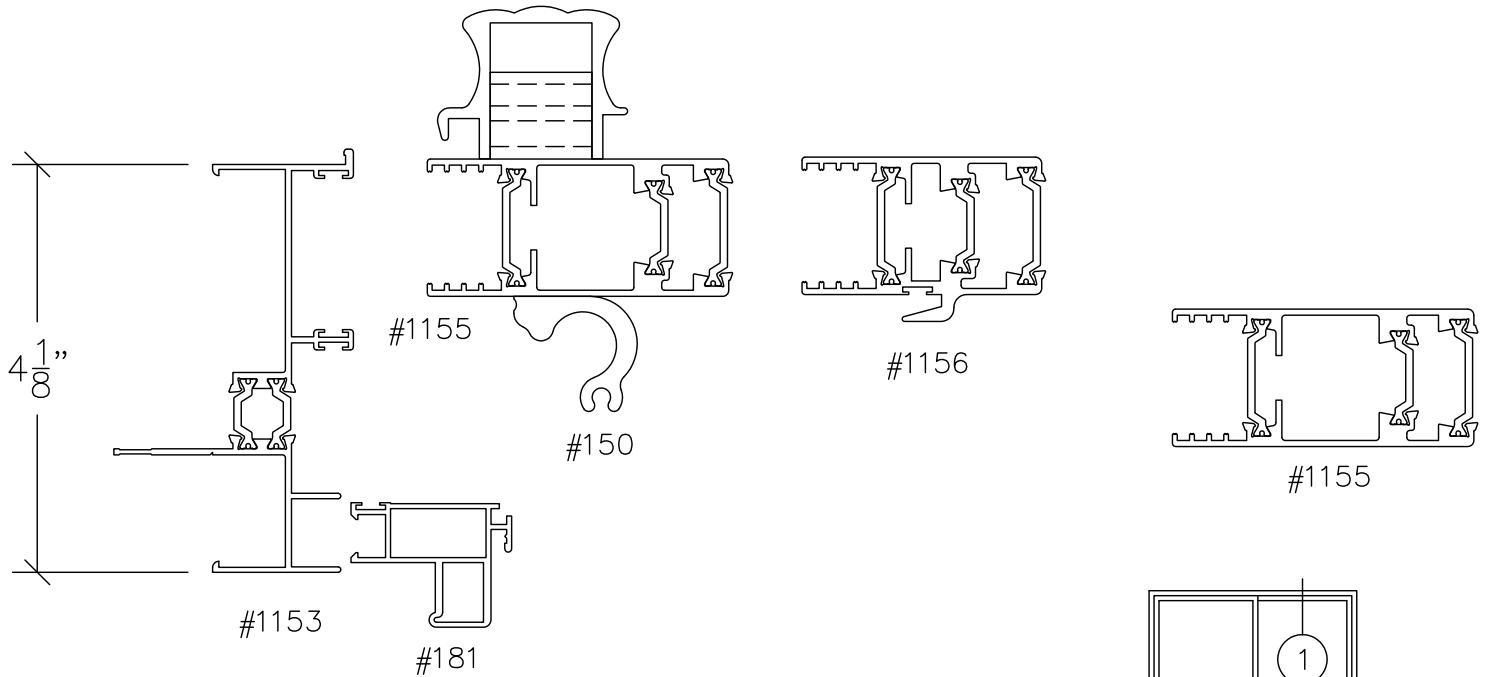
DATE:  
12/4/13

R:\DRAWINGS\BROPAGE\DD\_DD4.DWG



① SLIDING GLASS DOOR JAMB

② SLIDING GLASS DOOR INTERLOCK



HORIZONTAL SECTION THROUGH THERMAL BREAK SGD  
DOUBLE GLAZED

SCALE: 1:2