

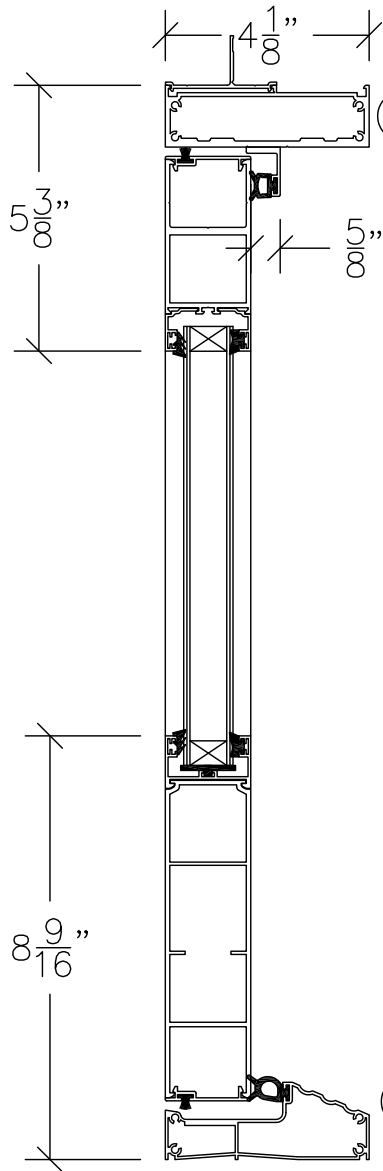


WINDOW SYSTEM
SERIES 430 - SWINGING DOOR
SWING OUT

B1

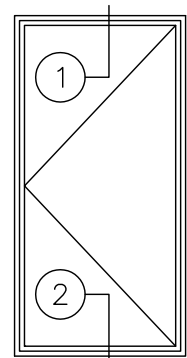
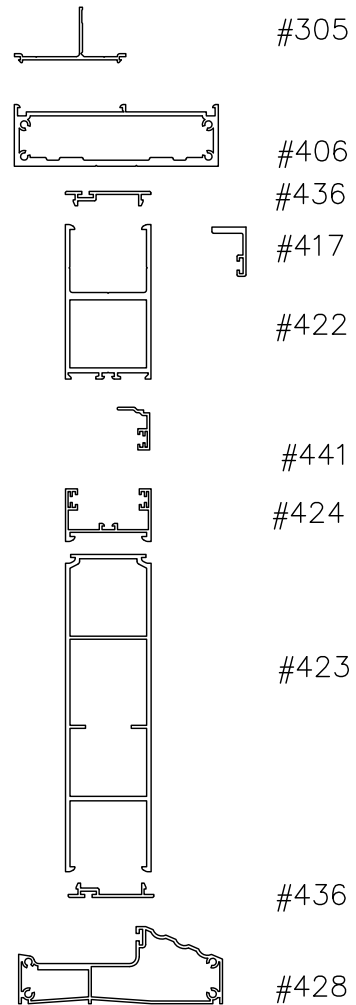
1503 W. San Pedro St., Gilbert, Arizona 85233
VOICE: 480-892-2600 / FAX : 480-892-0951

DATE:
1/25/13
R:\DRAWINGS\BROPAGE\A-B\B1.DWG



① TYPICAL HEADER &
DOOR TOP RAIL

② TYPICAL THRESHOLD &
DOOR BOTTOM RAIL



VERTICAL SECTION THROUGH SINGLE/PAIR
SWINGING DOORS
SCALE: QUARTER SIZE



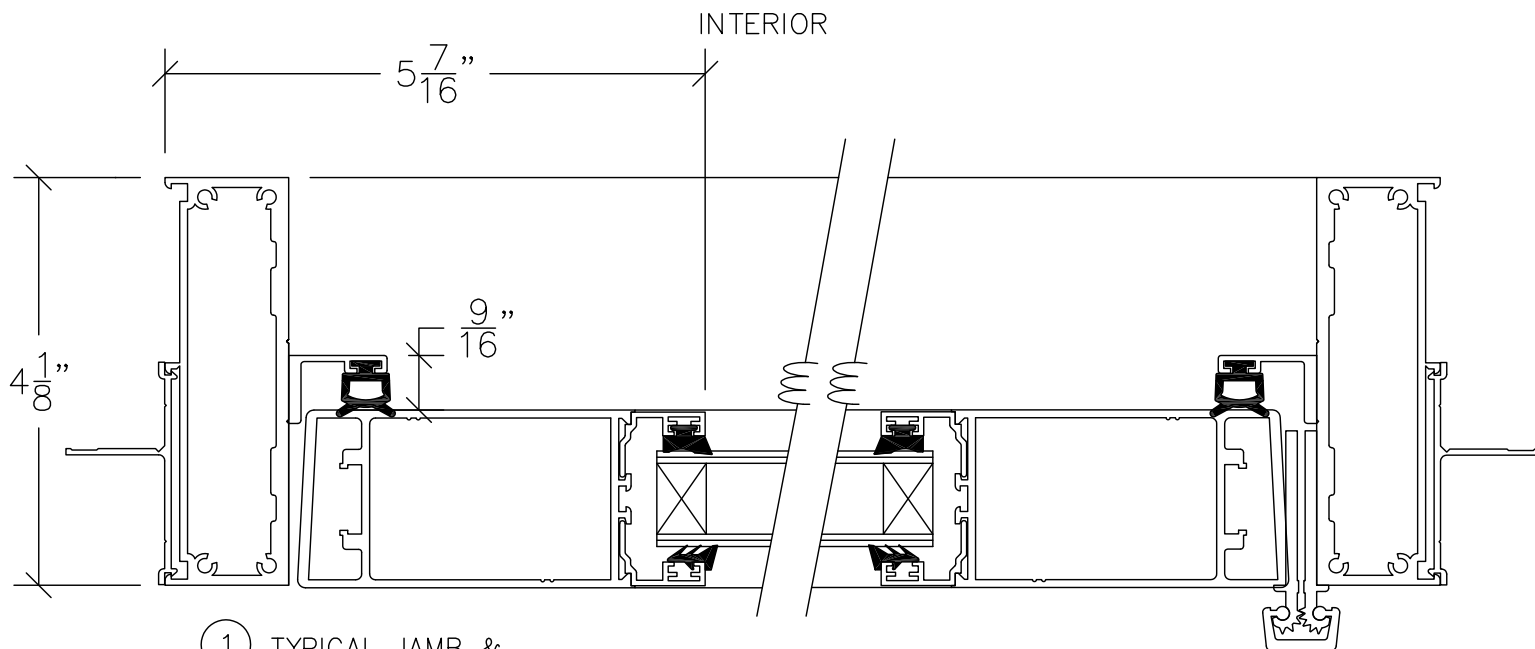
WINDOW SYSTEM
 SERIES 430 - SWINGING DOOR
 HINGE RIGHT - SWING OUT

1503 W. San Pedro St., Gilbert, Arizona 85233
 VOICE: 480-892-2600 / FAX : 480-892-0951

B2

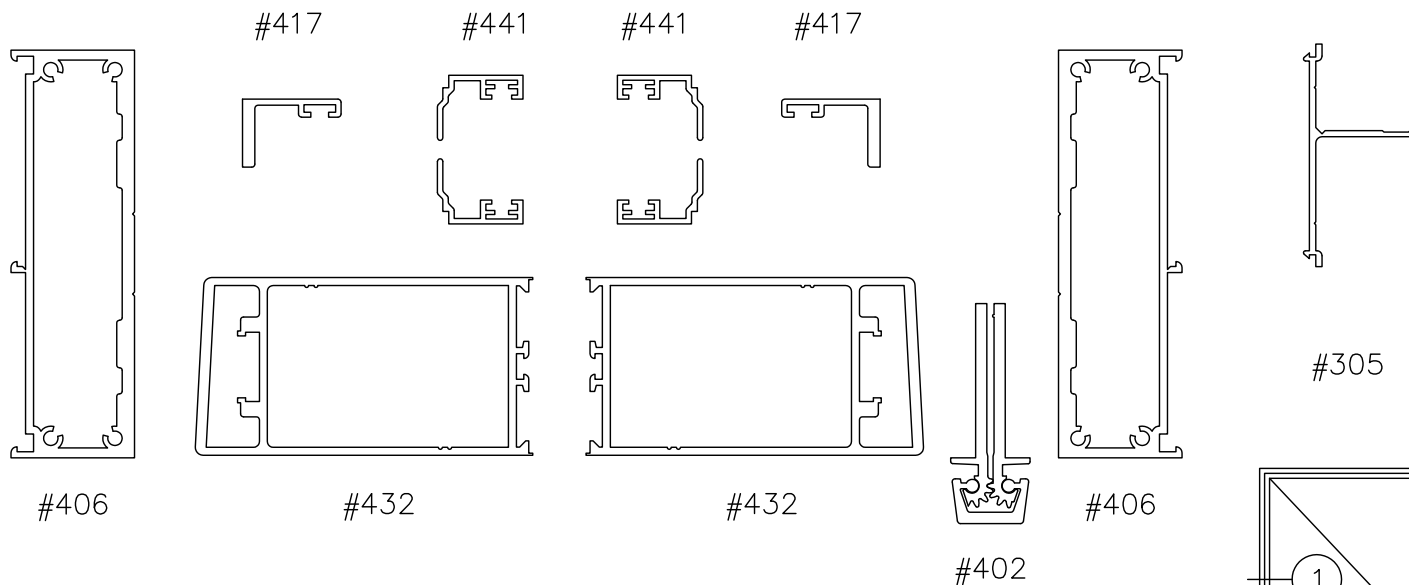
DATE:
 1/25/13

R:\DRAWINGS\BROFAGES\A-B\B2.DWG

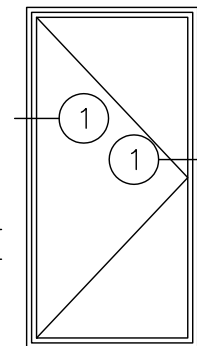


① TYPICAL JAMB & DOOR STILE

EXTERIOR



HORIZONTAL SECTION THROUGH HINGE/LOCKSTILE
 OF SINGLE SWINGING DOOR
 SCALE: HALF SIZE



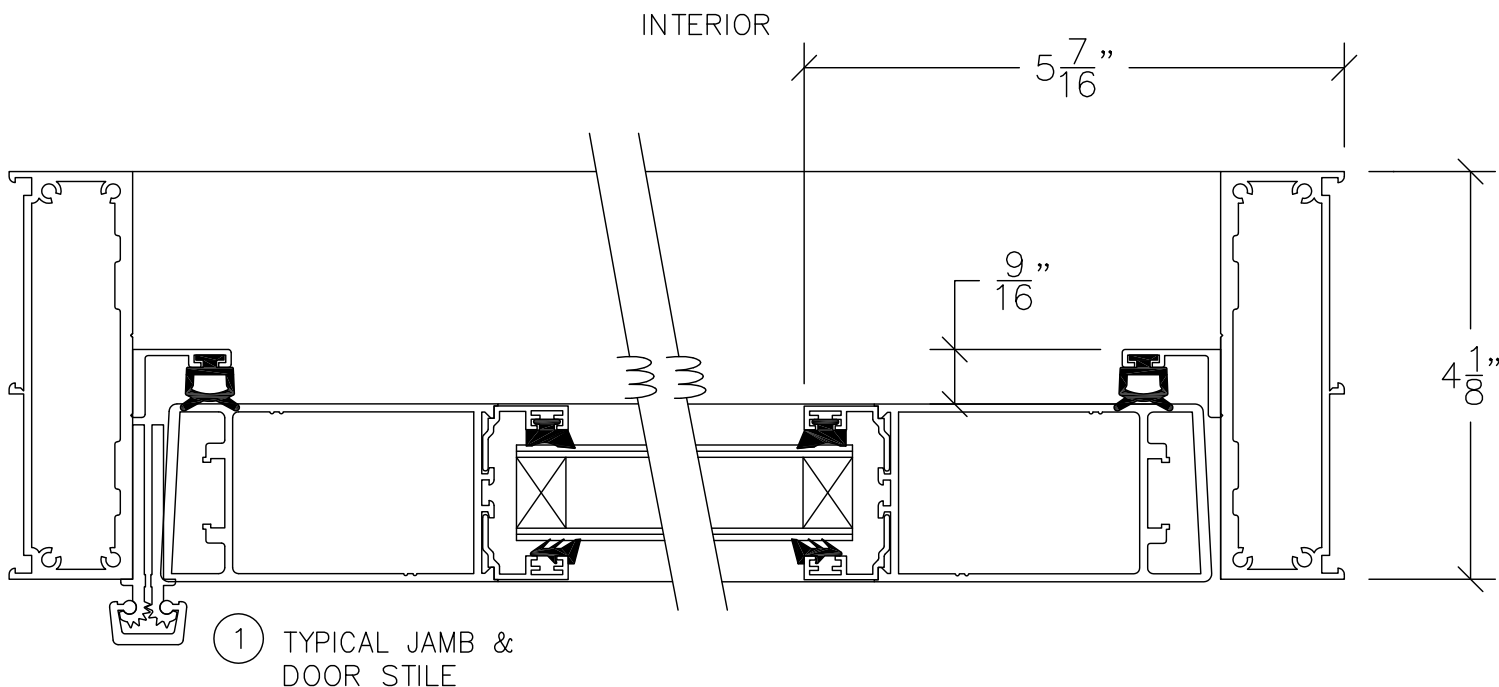


WINDOW SYSTEM
SERIES 430 - SWINGING DOOR
HINGE LEFT - SWING OUT

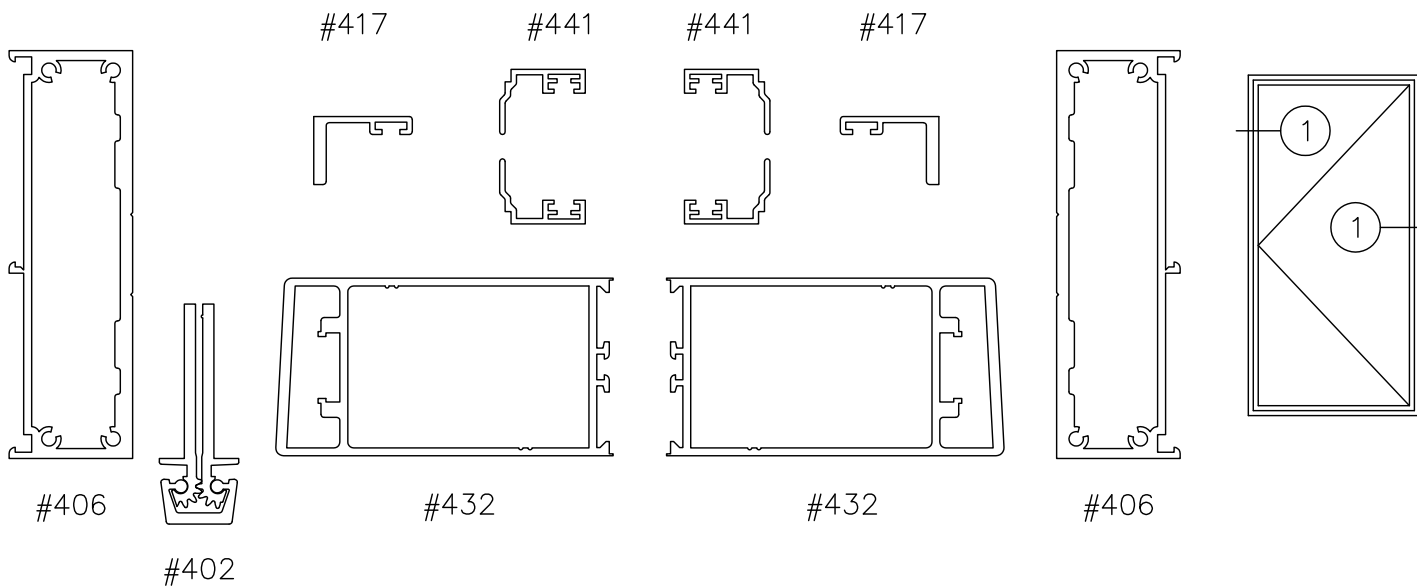
B2A

1503 W. San Pedro St., Gilbert, Arizona 85233
VOICE: 480-892-2600 / FAX : 480-892-0951

DATE:
1/25/13
R:\DRAWINGS\BROFAGES\A-B\B2A.DWG



EXTERIOR



HORIZONTAL SECTION THROUGH HINGE/LOCKSTILE
OF SINGLE SWINGING DOOR
SCALE: HALF SIZE



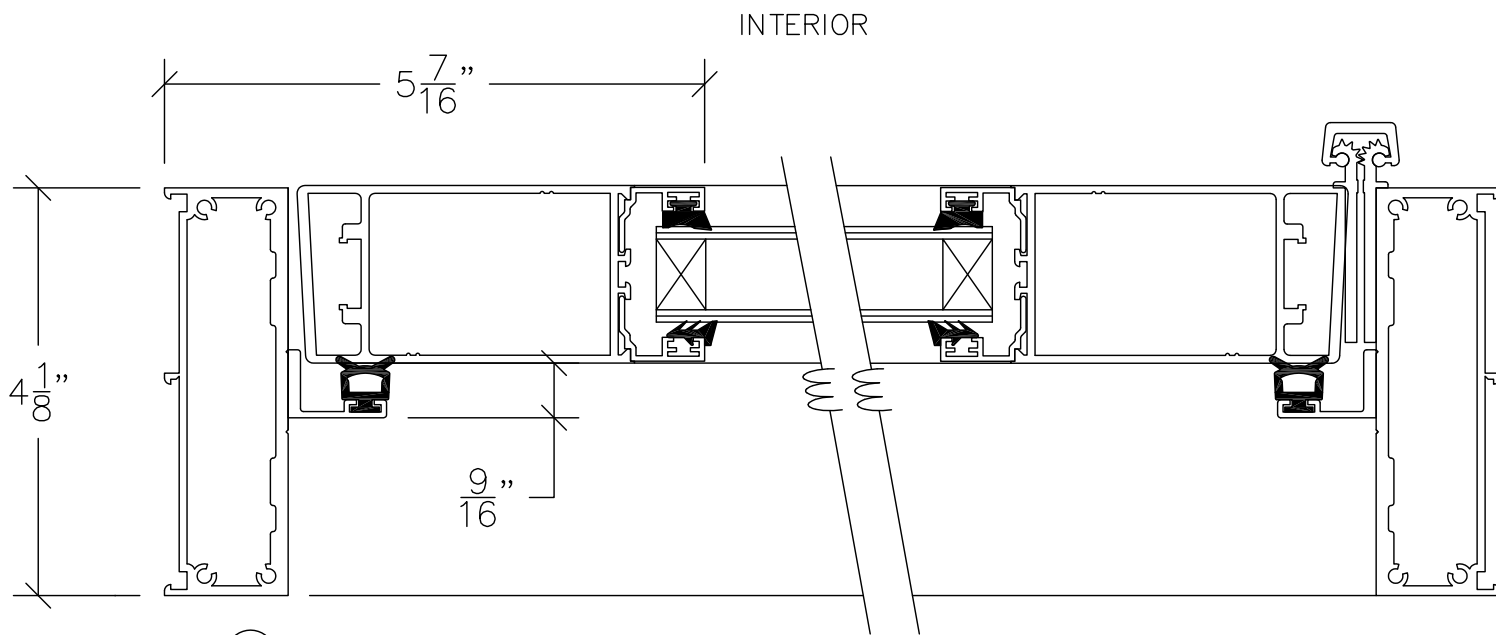
WINDOW SYSTEM
SERIES 430 - SWINGING DOOR
HINGE RIGHT - SWING IN

B2B

1503 W. San Pedro St., Gilbert, Arizona 85233
VOICE: 480-892-2600 / FAX : 480-892-0951

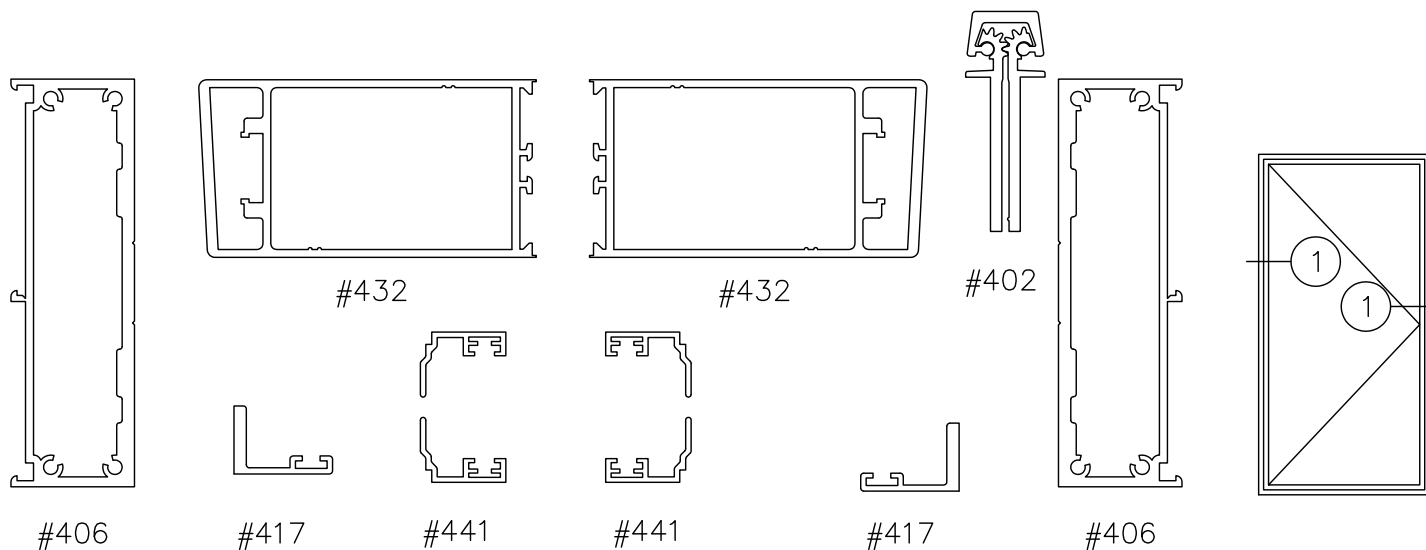
DATE:
1/25/13

R:\DRAWINGS\BROFAGES\A-B\B2B.DWG



① TYPICAL JAMB & DOOR STILE

EXTERIOR



HORIZONTAL SECTION THROUGH HINGE/LOCKSTILE
OF SINGLE SWINGING DOOR
SCALE: HALF SIZE

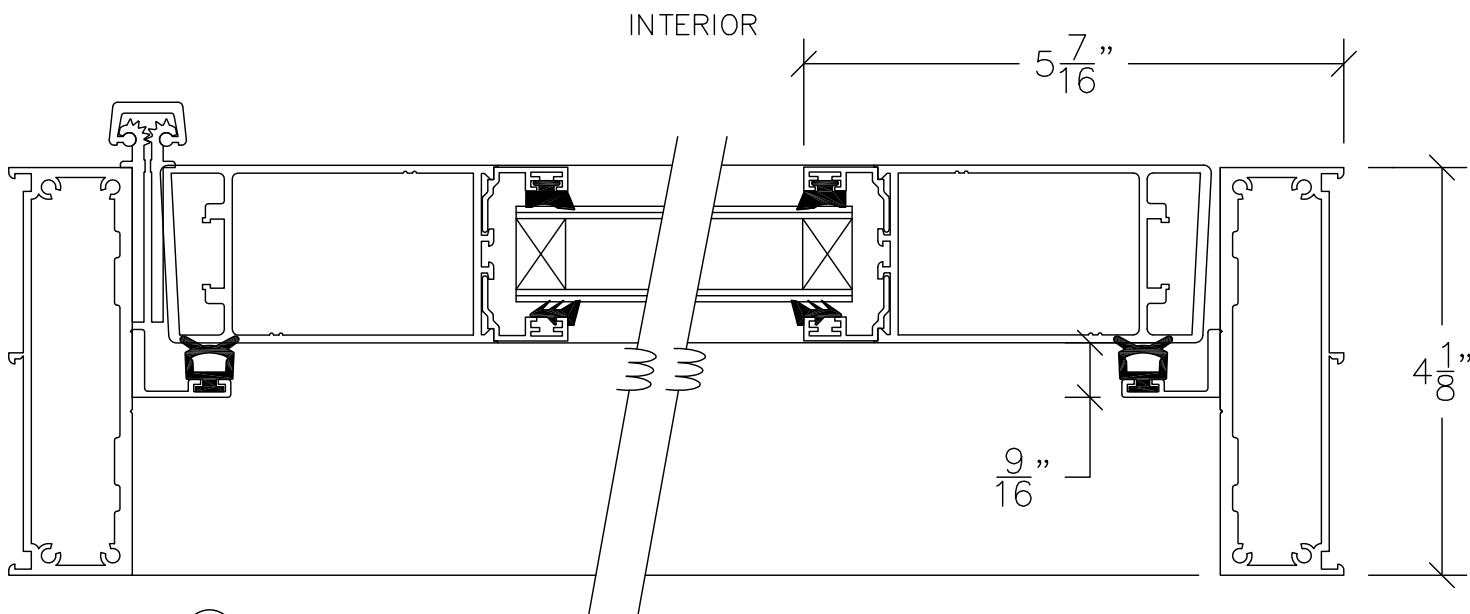


WINDOW SYSTEM
SERIES 430 - SWINGING DOOR
HINGE LEFT - SWING IN

B2C

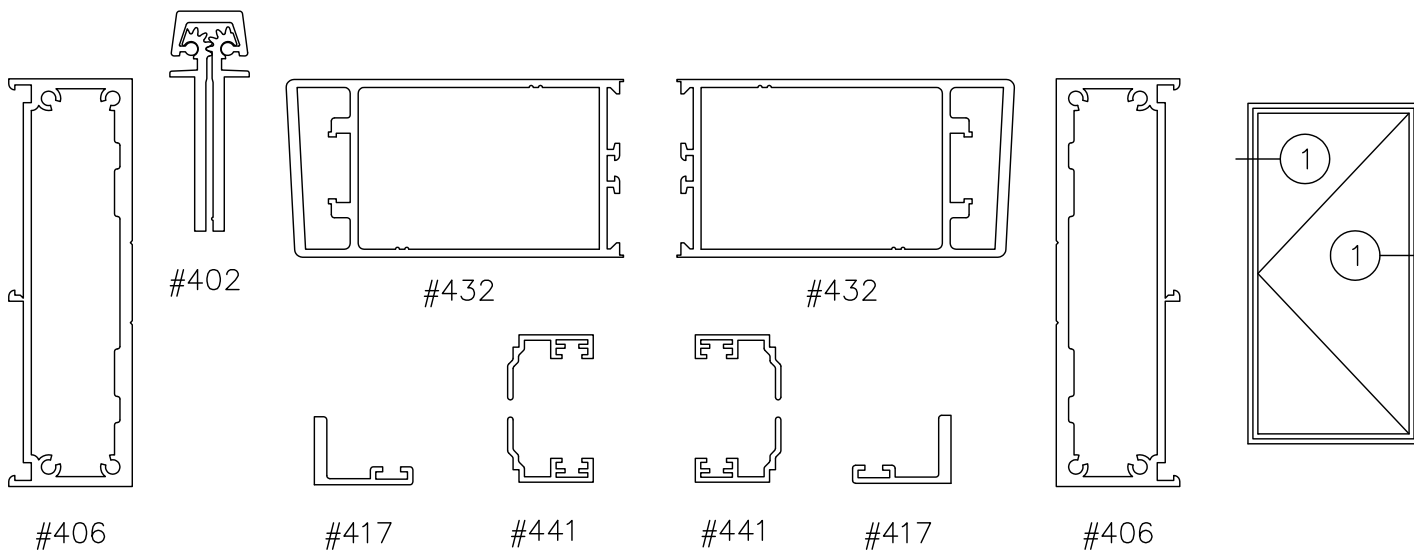
1503 W. San Pedro St., Gilbert, Arizona 85233
VOICE: 480-892-2600 / FAX : 480-892-0951

DATE:
1/25/13
R:\DRAWINGS\BROPAGES\A-B\B2C.DWG



① TYPICAL JAMB & DOOR STILE

EXTERIOR



HORIZONTAL SECTION THROUGH HINGE/LOCKSTILE
OF SINGLE SWINGING DOOR
SCALE: HALF SIZE

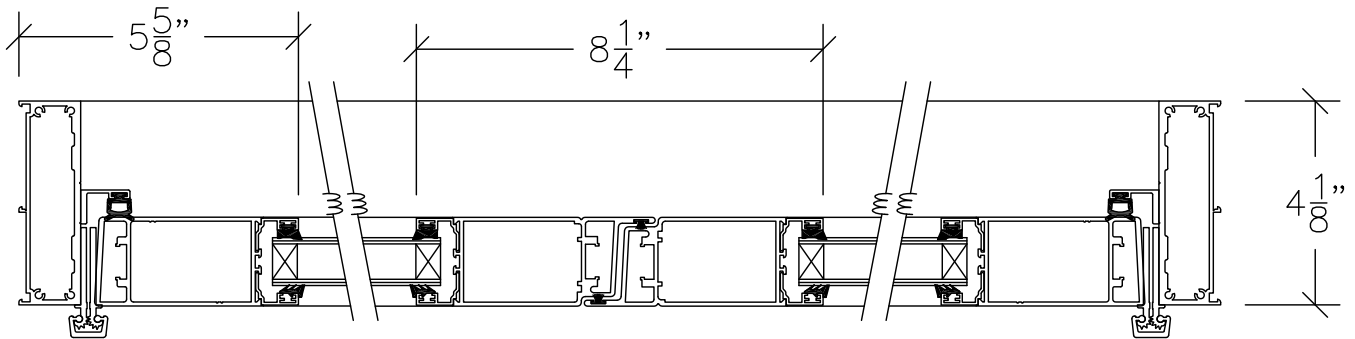


WINDOW SYSTEM
SERIES 430 - SWINGING DOOR

B3

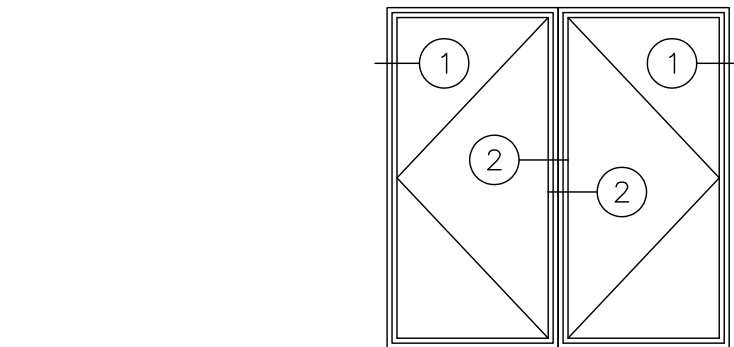
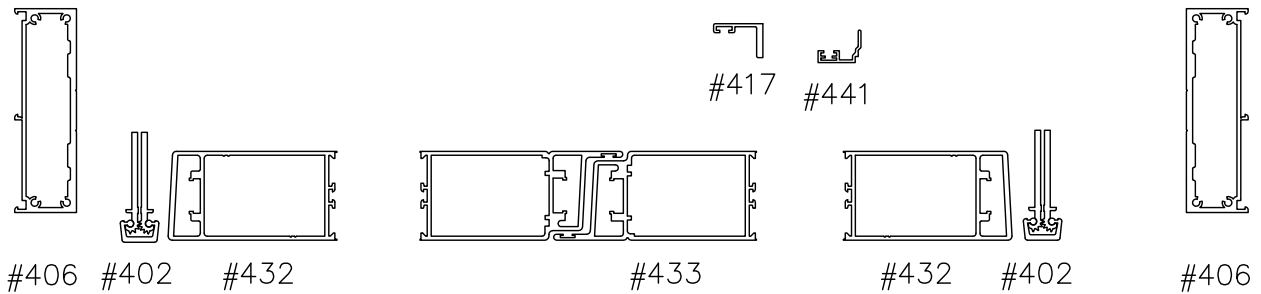
1503 W. San Pedro St., Gilbert, Arizona 85233
VOICE: 480-892-2600 / FAX : 480-892-0951

DATE:
1/25/13
R:\DRAWINGS\BROPAGES\A-B\B3.DWG



① TYPICAL JAMB & DOOR STILE

② TYPICAL ASTRAGAL DOOR STILE



HORIZONTAL SECTION THROUGH HINGE/LOCKSTILE
OF PAIR SWINGING DOOR
SCALE: QUARTER SIZE



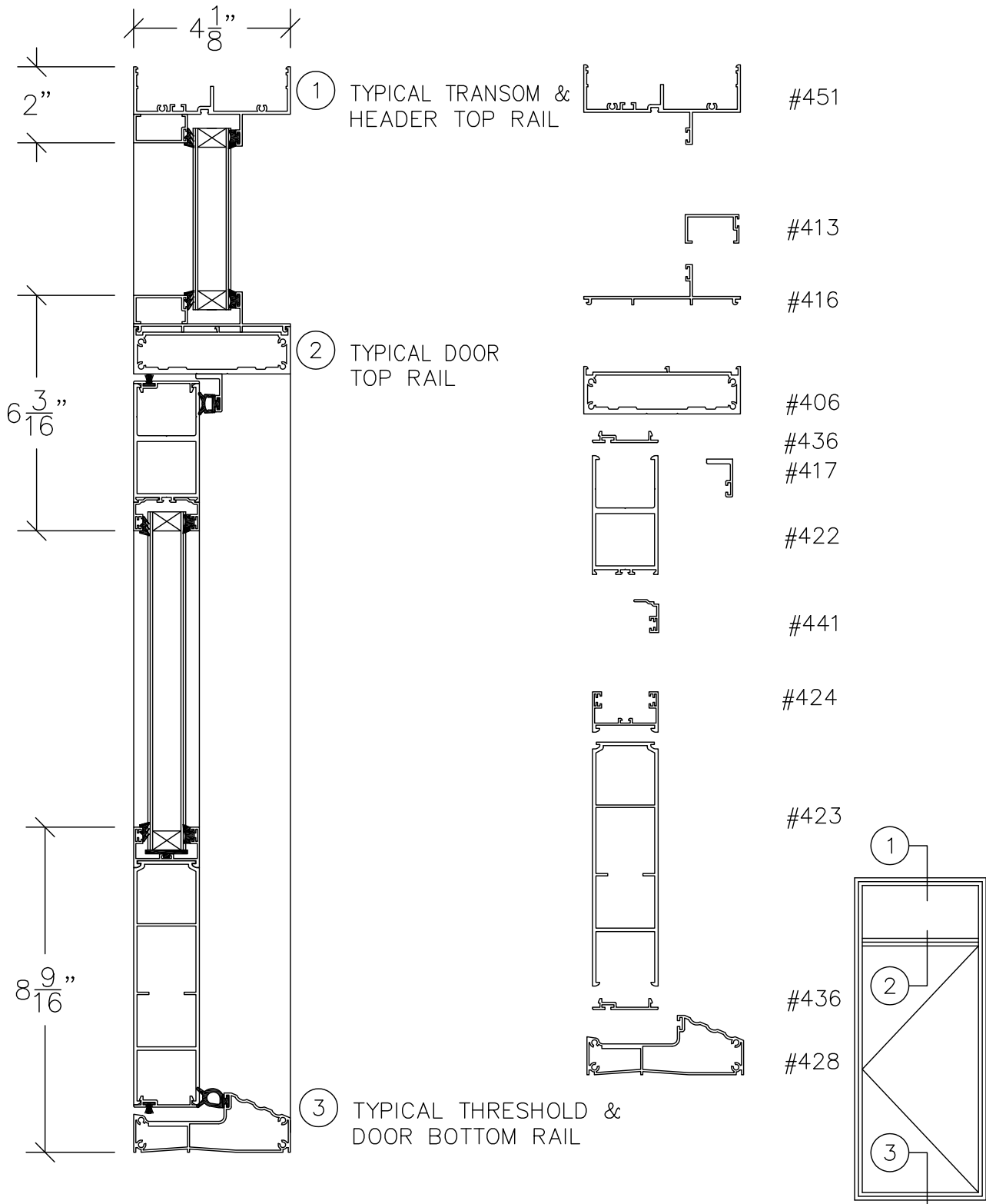
WINDOW SYSTEM
SERIES 430 - SWINGING DOOR

1503 W. San Pedro St., Gilbert, Arizona 85233
VOICE: 480-892-2600 / FAX : 480-892-0951

B4

DATE:
1/25/13

R:\DRAWINGS\BROFAGES\A-B\B4.DWG



VERTICAL SECTION THROUGH TRANSOM OF SINGLE/PAIR SWINGING DOORS
SCALE: QUARTER SIZE

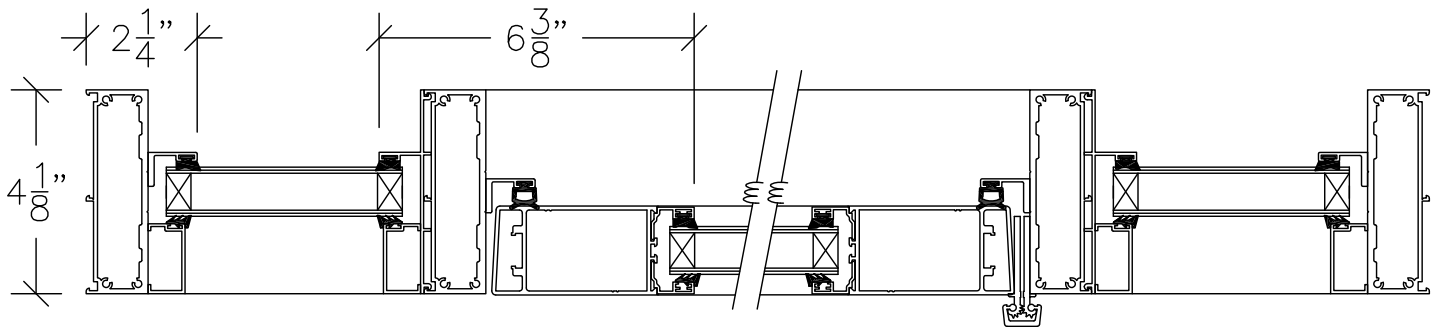


WINDOW SYSTEM
SERIES 430 - SWINGING DOOR
HINGE RIGHT - SWING OUT

B5

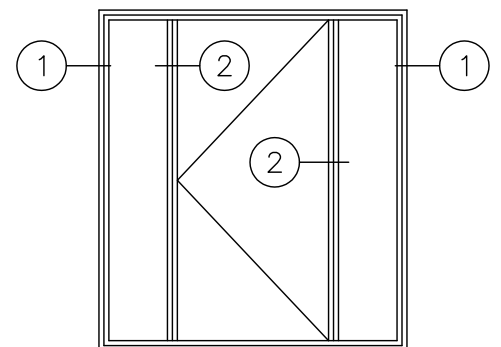
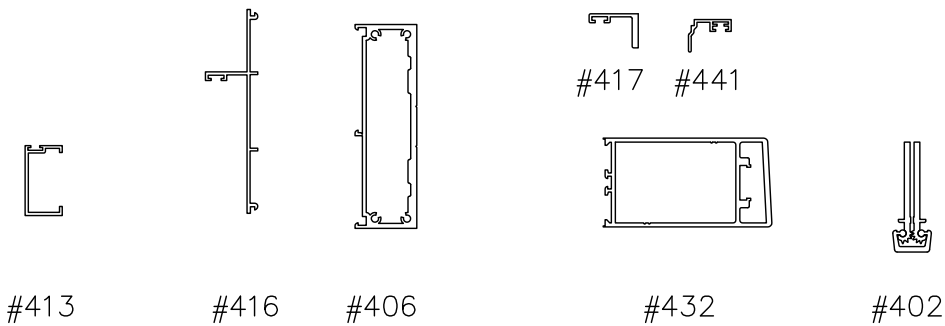
1503 W. San Pedro St., Gilbert, Arizona 85233
VOICE: 480-892-2600 / FAX : 480-892-0951

DATE:
1/25/13
R:\DRAWINGS\BROPAGES\A-B\B5.DWG



① TYPICAL JAMB

② TYPICAL DOOR STILE



HORIZONTAL SECTION THROUGH SIDELITES
OF SINGLE SWINGING DOOR
SCALE: QUARTER SIZE

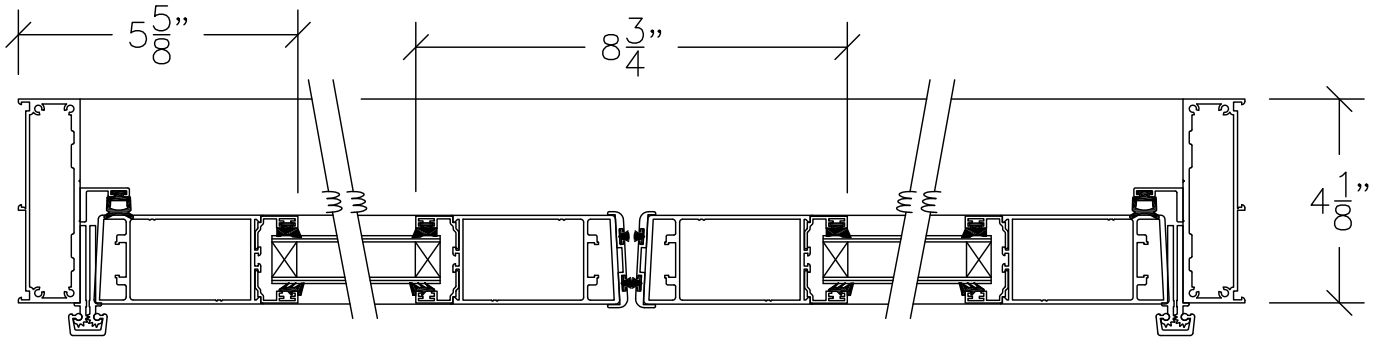


WINDOW SYSTEM
SERIES 430 - SWINGING DOOR

B6

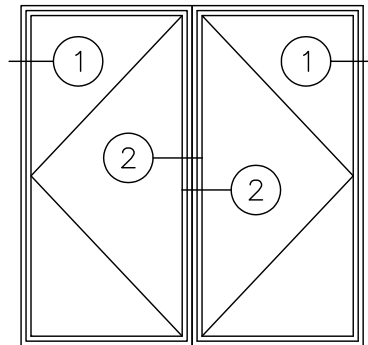
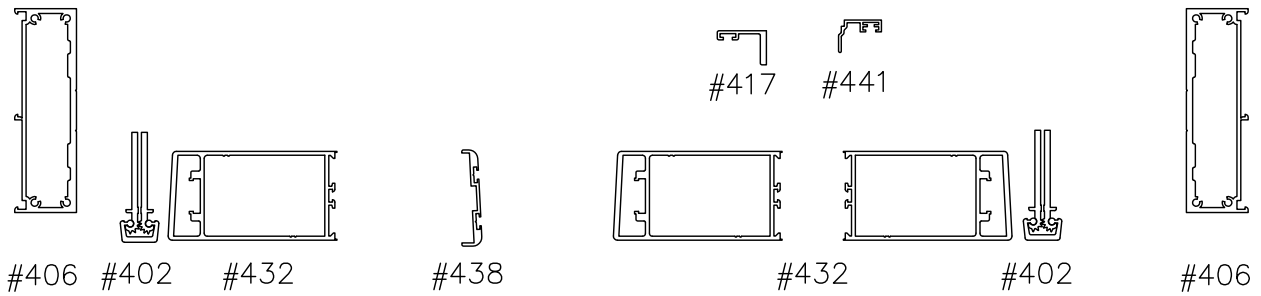
1503 W. San Pedro St., Gilbert, Arizona 85233
VOICE: 480-892-2600 / FAX : 480-892-0951

DATE:
1/25/13
R:\DRAWINGS\BROPAGES\A-B\B6.DWG



① TYPICAL JAMB & DOOR STILE

② ACTIVE / ACTIVE



HORIZONTAL SECTION THROUGH HINGE/LOCKSTILE
ACTIVE / ACTIVE FRDR
SCALE: QUARTER SIZE

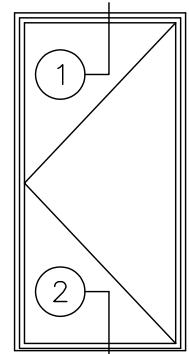
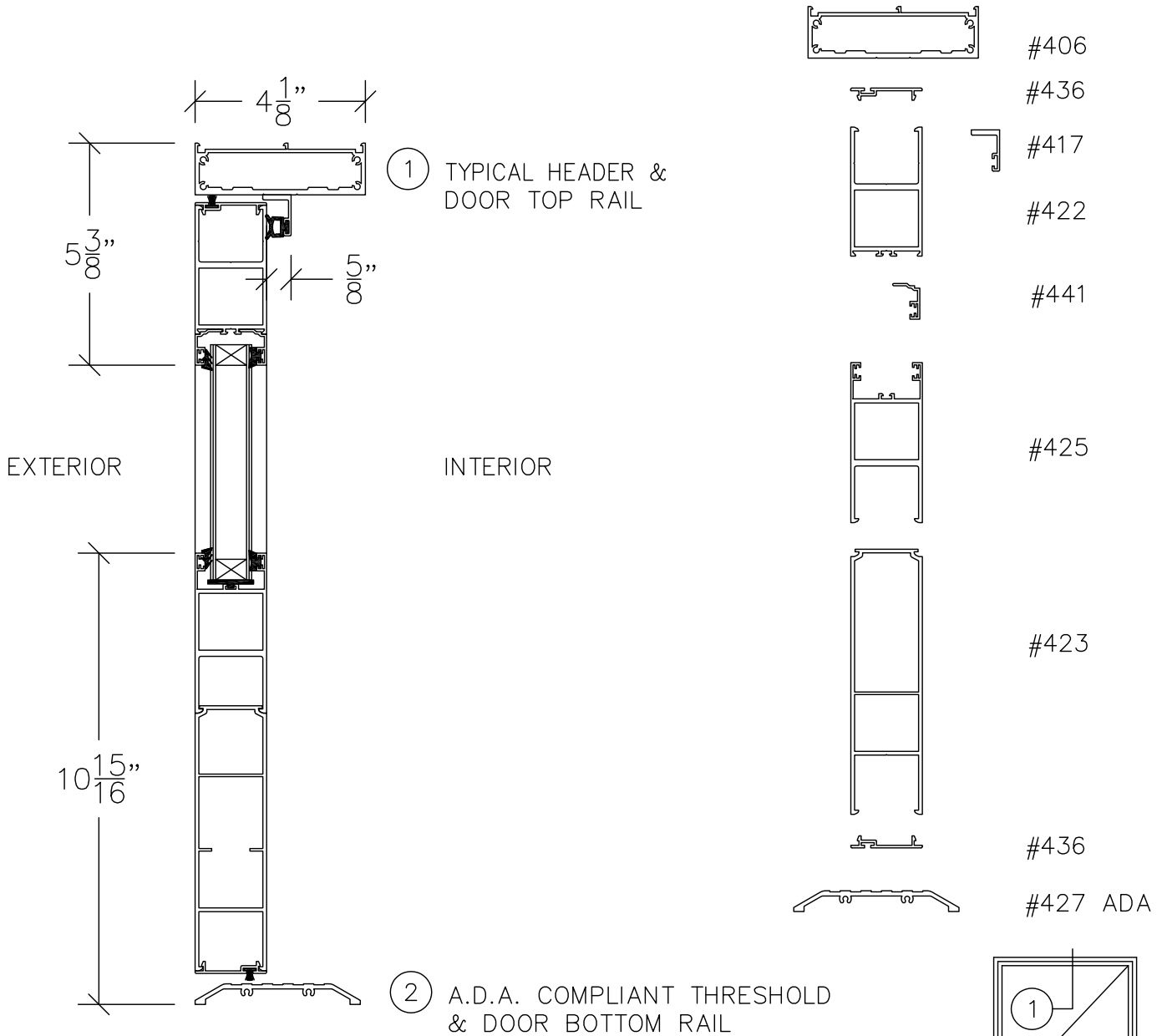


WINDOW SYSTEM
 SERIES 430 - SWINGING DOOR
 A.D.A. COMPLIANT - SWING OUT

B7

1503 W. San Pedro St., Gilbert, Arizona 85233
 VOICE: 480-892-2600 / FAX : 480-892-0951

DATE:
 1/25/13
R:\DRAWINGS\BROPAGES\A-B7.DWG



VERTICAL SECTION THROUGH SINGLE/PAIR
 SWINGING DOORS
 SCALE: QUARTER SIZE

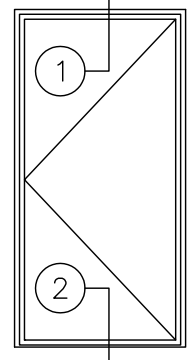
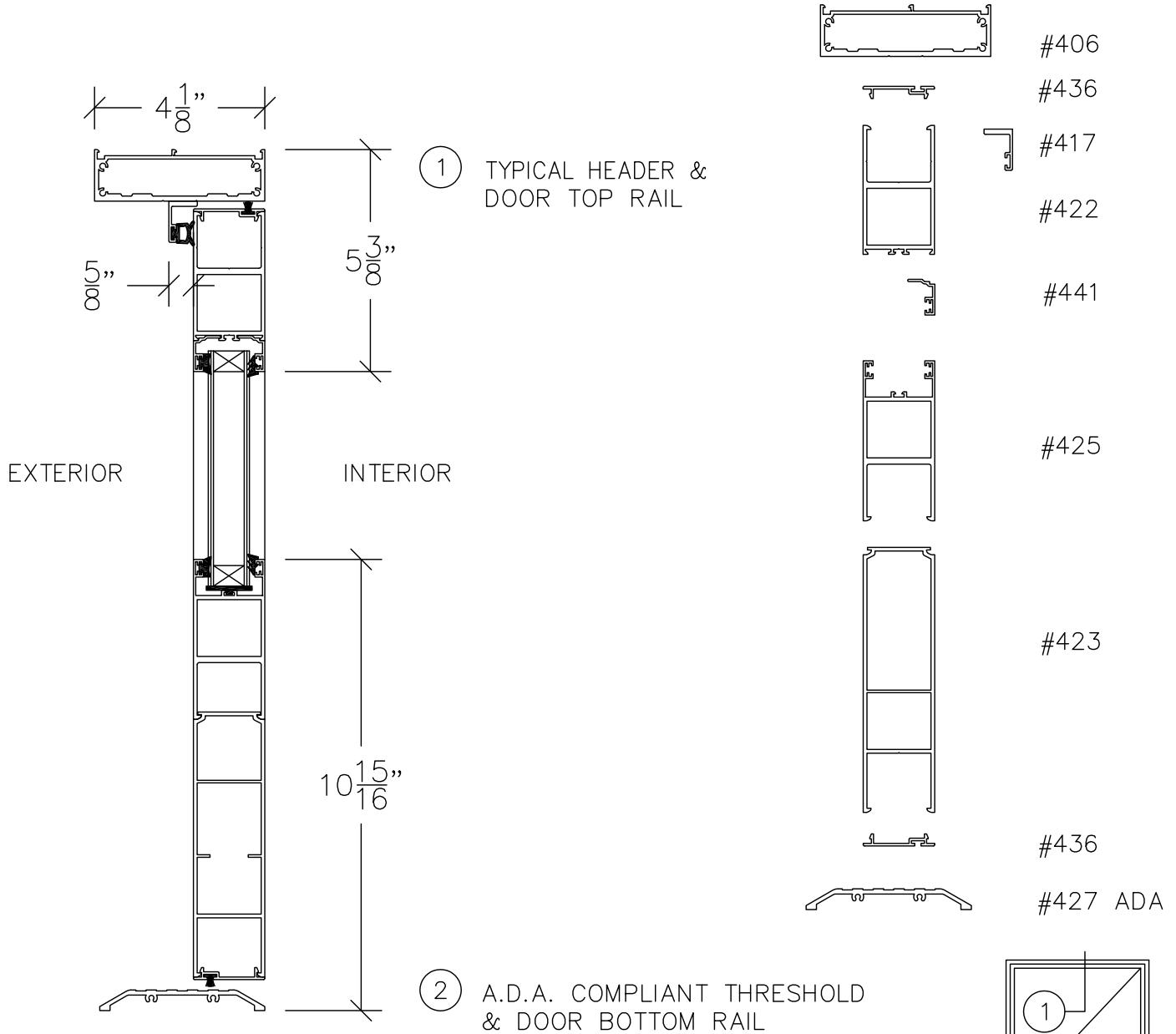


WINDOW SYSTEM
 SERIES 430 - SWINGING DOOR
 A.D.A. COMPLIANT - SWING IN

B8

1503 W. San Pedro St., Gilbert, Arizona 85233
 VOICE: 480-892-2600 / FAX : 480-892-0951

DATE:
 1/25/13
R:\DRAWINGS\BROFAGES\A-B\B8.DWG



VERTICAL SECTION THROUGH SINGLE/PAIR
 SWINGING DOORS
 SCALE: QUARTER SIZE