



WINDOW SYSTEM

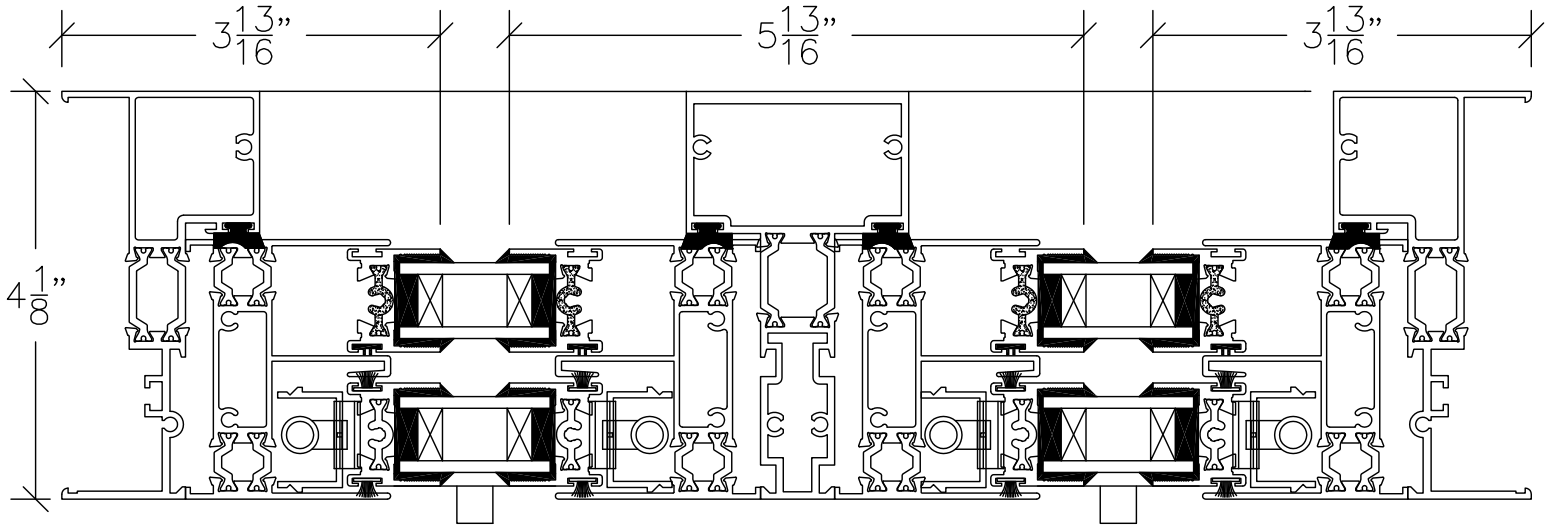
SERIES 1400 - THERMAL BREAK WINDOW WALL

1503 W. San Pedro St., Gilbert, Arizona 85233
VOICE: 480-892-2600/FAX : 480-892-0951/WWW.HERITAGEWINDOWS.COM

AA7

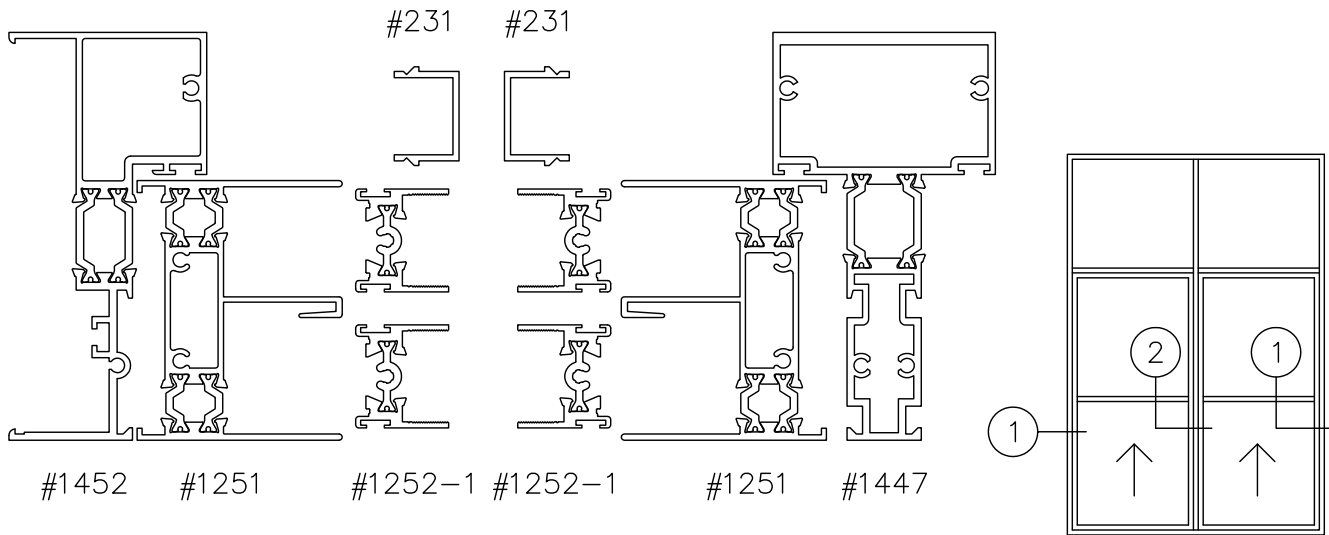
DATE:
6/12/13

R:\DRAWINGS\BROGPAGES\AA\AA7.DWG



① PERIMETER FRAME
JAMB

② VERTICAL MULLION



HORIZONTAL SECTION THROUGH 4 1/8" PERIMETER FRAME &
STRUCTURAL MULLION W/ SINGLE HUNG INSERT

DOUBLE GLAZED

SCALE: HALF SIZE